

T255NHEU

Parts Catalog

목 차

0. 트랙터 KIT PART NO. TK1

FIG 001 K1 AUTO THROTTLE KIT	6
FIG 001 VALVE KIT, AUX	8
FIG 001 AUX VALVE KIT	10

1. 엔진 PART NO. EG

FIG 100 ENGINE	13
FIG 101 CYLINDER BLOCK	15
FIG 102 GEAR HOUSING	17
FIG 103 OIL SUMP	19
FIG 104 CYLINDER HEAD & BONNET	21
FIG 105 EXHAUST MANIFOLD	24
FIG 106 CAMSHAFT & DRIVING GEAR	26
FIG 107 CRANKSHAFT & PISTON	28
FIG 108 LUB.OIL SYSTEM	30
FIG 109 COOLING WATER SYSTEM	32
FIG 110 FUEL INJECTION PUMP	34
FIG 111 GOVERNOR	36
FIG 112 FUEL INJECTION VALVE	38
FIG 113 FUEL FILTER	40
FIG 114 STARTING MOTOR	42
FIG 115 GENERATOR	44

2. 엔진보기품 PART NO. T2

FIG 201 AIR CLEANER	47
FIG 202 RADIATOR	49
FIG 203 MUFFLER	51
FIG 204 FUEL TANK & FUEL LINE	53
FIG 205 ACCELERATOR	55
FIG 206 FUEL FILTER	57

FIG 207 ENGINE MOUNTING	59
-------------------------	----

3. 클러치/브레이크/스티어링 PART NO. T3

FIG 301 FLYWHEEL COVER	62
FIG 302 BRAKE	64
FIG 303 BRAKE PEDAL & LINKAGE	66
FIG 304 SPEED CONTROL	68
FIG 305 DASH COVER	71
FIG 306 STEERING VALVE	73
FIG 307 STEERING CYLINDER	75
FIG 308 STEERING WHEEL	77
FIG 309 TIRE	79

4. 트랜스미션 PART NO. T4

FIG 401 INPUT SHAFT	82
FIG 402 HST	84
FIG 403 INPUT GEAR	86
FIG 404 RANGE GEAR	88
FIG 405 4WD DRIVE GEAR	90
FIG 406 P.T.O DRIVE SHAFT	92
FIG 407 P.T.O SHAFT	94
FIG 408 MID P.T.O GEAR	96
FIG 409 DIFF LOCK	98
FIG 410 REAR TRANSMISSION CASE	100
FIG 411 REAR AXLE HOUSINGS	102
FIG 412 RANGE SHIFT LEVER	104
FIG 413 P.T.O CHANGE LEVER	106
FIG 414 4WD CHANGE LEVER	108
FIG 415 TRANSMISSION MOUNTING	110

5. 프론트 액슬 PART NO. T5

FIG 501 FRONT DRIVE SHAFT	113
FIG 502 FRONT DIFFERENTIAL GEAR	115
FIG 503 FRONT AXLE HOUSING	117
FIG 504 FRONT GEAR CASE (1)	119

FIG 505 FRONT GEAR CASE (2)	121
6. 유압/3점링크 PART NO. T6	
FIG 601 CYLINDER CASE	124
FIG 602 LIFT ARM	126
FIG 603 FLOW CONTROL VALVE	128
FIG 604 MAIN CONTROL VALVE	130
FIG 605 HYDRAULIC SUB	132
FIG 606 HITCH & 3-POINT LINKAGE	134
FIG 607 HITCH & COVER	136
FIG 608 AUXILIARY VALVE	138
7. 시트메탈/캐빈 PART NO. T7	
FIG 701 BONNET (1)	141
FIG 701-2 BONNET (2)	143
FIG 702 FLOOR	145
FIG 703 SEAT	147
FIG 704 ROPS	149
FIG 705 LEVER COVER & FENDER	151
FIG 706 LAMP	153
8. 전장 PART NO. T8	
FIG 801 BATTERY MOUNTING	156
FIG 802 INSTRUMENT PANEL	158
FIG 803 HARNESS (1)	160
FIG 804 HARNESS (2)	162
9. 라벨/옵션 PART NO. T9	
FIG 805 HARNESS (3)	165
FIG 901 TOOL & ACCESSORY	167
FIG 902 WEIGHT	169
FIG 903 LABEL (1)	171

0. 트랙터 KIT PART NO. TK1

FIG 001 K1 AUTO THROTTLE KIT

6

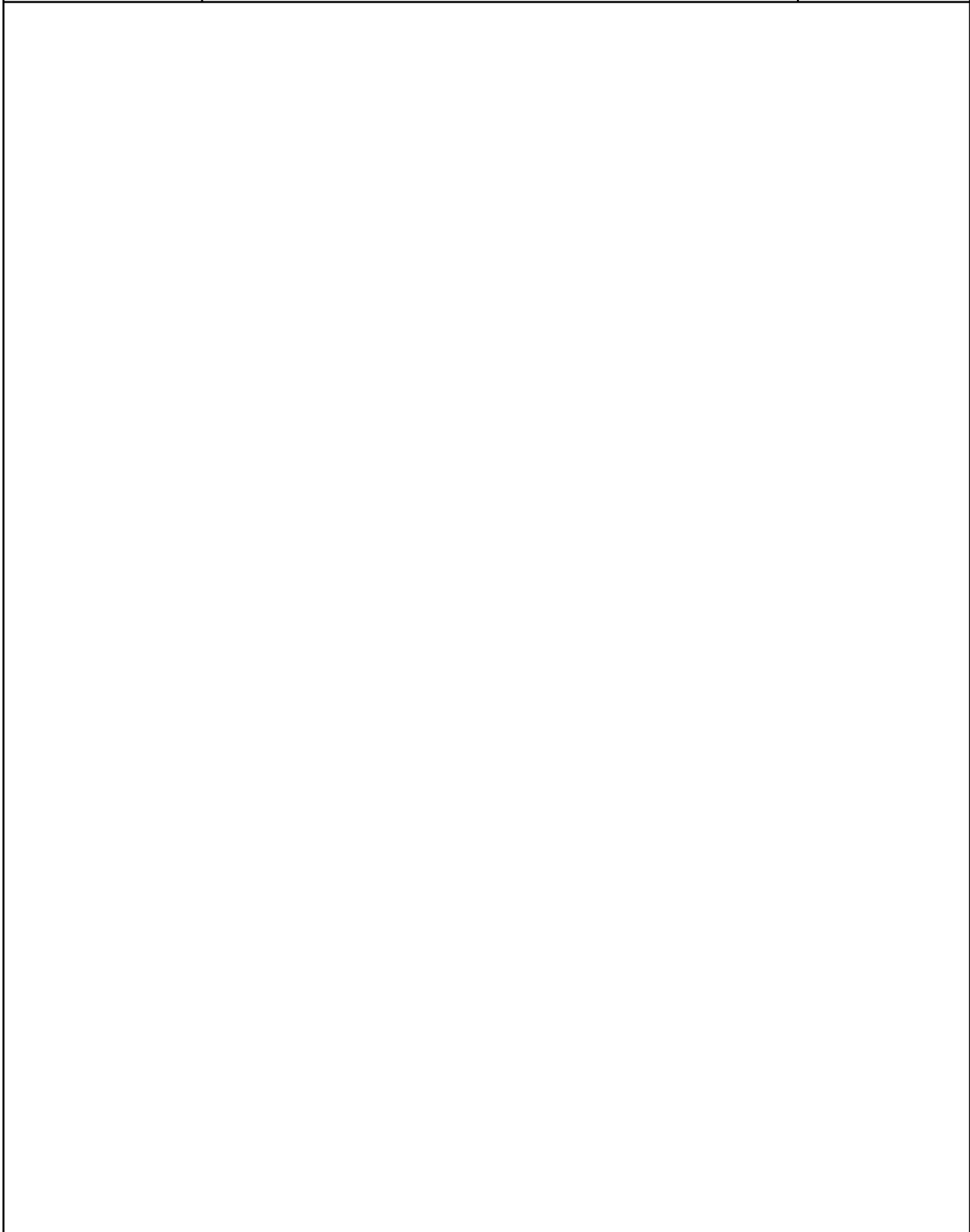
FIG 001 VALVE KIT, AUX

8

FIG 001 AUX VALVE KIT

10

FIG 001 T255NHEU	K1 AUTO THROTTLE KIT	년/월 Year/Month 2022-12
---------------------	----------------------	------------------------------



NOTE	
------	--

PARTS SUGGESTED LIST

PART NUMBER DESCRIPTION QTY for EACH TRACTOR

11930535151-	FILTER ASSY, D68XL65	1
11981055650-	ELEMENT	1
12933555780-	ELEMENT ASSY	1
11201032020	ELEMENT	1
11105152100	STRAINER , SUCTION	1
20113230040	SEAL , OIL/406212	2
16322732000	SEAL ASSY , OIL	1
V4011600160	WASHER , SPRING	11
V2193606020	BOLT , HEX/SPL	6
16995152360	COUPLING , 1/2	2
11104130151	SEAL , OIL	2
15186313000	MIRROR ASSY	2
V4011600140	WASHER , SPRING	36
V2123606012	BOLT , HEX /SP	2
V2173608025	BOLT , HEX/S	28
11105208500	CHAIN SUB , CHECK	2
V7041400250	C-RING , SHAFT	2
V2173608020	BOLT , HEX/S	22
14537072501	hazard SWITCH	1
17686641110	RELAY , PREHEAT	2
V2183608020	BOLT , HEX/SP	53
16731112130	FILTER	1
V7441254708	SEAL , OIL/D	1
V4011600120	WASHER , SPRING	10
V4111600160	WASHER , PLAIN	7
V2123606016	BOLT , HEX /SP	16
V2183608025	BOLT , HEX/SP	7
V4011600100	WASHER , SPRING	12
17995080201	UNION , 1/2	2
V2173612030	BOLT , HEX/S	22
V3043600100	NUT , HEX/2	8
19029010070	LABEL , SEAL	4
V7051400620	C-RING , HOLE	7
11104130170	O-RING , S200	2
13153285001	SWITCH ASSY , BRAKE	1
V3501600060	NUT, PUSH-ON SPRING	27
17686040020	RIVET SET , black	14
V4111600220	WASHER , PLAIN	4
V3802600060	NUT , HEX FLANGE	12
V7041400200	C-RING , SHAFT	14
21575070110	BOLT , GRIP(M6)	2
V4111600100	WASHER , PLAIN	18
14446010150	WASHER , NET	27
V7201024010	O-RING , P	2
V3043600160	NUT , HEX/2	6
V4111600120	WASHER , PLAIN	12
V7041400400	C-RING , SHAFT	3
V7231020085	O-RING , S	2
V5502040093	RIVET , BLIND	4
11104130181	SEAL , SHAFT	2

PART NUMBER DESCRIPTION QTY for EACH TRACTOR

8420000230	NUT/M8 , NYLON	3
14522092162	KEY , SYNCHRO	3
11201032000	AIR CLEANER ASSY	1
V4111600080	WASHER , PLAIN	20
V7051400420	C-RING , HOLE	2
V6001106207	BEARING , BALL	1
V3002600060	NUT , HEX/1	4
13059310030	PIN	2
11616212900	RELAY 5P	1
V4011600060	WASHER , SPRING	8
18711201100	LABEL , ULTRA LOW SULFUR	1
V4111600140	WASHER , PLAIN	2
11105200011	PIN , LOWER LINK	1
11111042000	RADIATOR COMP	1
V3043600120	NUT , HEX/2	16
V3013600060	NUT .HEX NORMAL /2	2
14443140080	SEAL , 62	1
11103062000	GAUGE ASSY , OIL LEVEL	1
V6001106006	BEARING , BALL	3
V4011600080	WASHER , SPRING	9
19026642010	GROMMET , 12X17X3.2	4
79636130050	PIN , 16X60	2
V2173608016	BOLT , HEX/S	5
V3043600140	NUT , HEX/2	2
V7441204707	SEAL , OIL/D	1
V7441204208	SEAL , OIL/D	2
V6001106007	BEARING , BALL	2
12009100190	LABEL , WARNING BELT	1
V2173608035	BOLT , HEX/S	4
V7441354808	SEAL , OIL/D	2
V4111600060	WASHER , PLAIN	11
11103160020	TUBE	4
15965120021	LINING , 11X30X03	2
14211340190	COUPLING	2
14321200040	SPRING , TENSION 31	2
V5201010022	PIN , PARALLEL/A	2
12009100240	LABEL , CAUTION MUFFLER	1
11104055000	JOINT ASSY , BALL	2
35605033020	WASHER , WIRE WITHDRAWAL	2
11105200050	SPACER	2
12009100130	LABEL , DANGER PTO	1
12009100020	LABEL , WARNING PARKING	1
12009100030	LABEL , WARNING EXHAUST	1
V7041400300	C-RING , SHAFT	11
12009100120	LABEL , CAUTION FAN	1
V6802000010	BALL , STEEL	5
V7201024016	O-RING , P	5
12009100140	LABEL , WARNING DRAW	1
V6001106304	BEARING , BALL	7
12009100230	LABEL , CAUTION OPERATION	1

PART NUMBER DESCRIPTION QTY for EACH TRACTOR

V2193606016	BOLT , HEX/SPL	10
12009100060	LABEL , WARNING DIFF	1
18027090320	BAND CLAMP 32 EMBO TYPE	2
17689100170	LABEL , CAUTION SAFETY	1
13151120061	BOLT , BATTERY SET	2
12009100050	LABEL , WARNING FIRE	1
V2173610025	BOLT , HEX/S	17
V6001106206	BEARING , BALL	4
12009100210	LABEL , WARNING THROTTLE	1
18715110110	CAP ASSY , OIL	1
17681170050	GRIP , REVERSE	1
16003302101	TANK ASSY , RESERVE	1
V2013614030	BOLT , HEX	12
13377210020	WASHER , 11X24X3	4
V6321133005	BEARING , TAPER-ROLLER	2
V6001106204	BEARING , BALL	2
14522092170	SPRING , SYNCHRO	2
13603102000	CAP ASSY , TANK	1
V3043600080	NUT , HEX/2	7
V7041400350	C-RING , SHAFT	3
V5001920015	PIN , SPLIT	9
16995304000	UNION , O-RING	1
V7051400470	C-RING , HOLE	5
13022250030	SPRING , SHIFTER	5
V6001106306	BEARING , BALL	4
79642010080	SHIM , B	2
V3042600080	NUT , HEX/2	7
13276642201	SWITCH , COMBI	1
V3013600160	NUT , HEX/2	2
19027210060	NUT , NYLON , M6	12
12209045051	LABEL , ROPS WARNING/REMODELIN	1
11106073030	KNOB , 4WD	2
15606040227	SPRING	8
14215020020	PIN , LINK	7
V7201119010	O-RING , P	1
V6001106305	BEARING , BALL	1
V2183608060	BOLT , HEX/SP	1
15645220011	PIN , 19X86	1
V3802600080	NUT , HEX FLANGE	8
13267028202	SOCKET ASSY , TRAILER	1
12009100160	LABEL , DANGER RIDING	1
13154112120	COLLAR	1
17995070270	BUSH , 16X18X33	1
11106073020	KNOB , POSITION	1
V5001920020	PIN , SPLIT	4
15601160083	PIN , 06X16	2
V2183608016	BOLT , HEX/SP	10
11111052004DD	MUFFLER COMP	1
V2173608070	BOLT , HEX/S	2
12009100150	LABEL , WARNING RADIATOR	1

PART NUMBER DESCRIPTION QTY for EACH TRACTOR

V5001925020	PIN D2.5x20	10
15645220020	PIN , 19X95	1
12009100040	LABEL , WARNING STOP VALVE	1
V5801406032	PIN , SPRING	7
13152401021	GASKET(MID PTO)	1
V3013600100	NUT .HEX NORMAL /2	2
V7201057070	O-RING , P	1
18027090800	BAND CLAMP 80 EMBO TYPE	1
11106073040	KNOB , PTO	1
V2183608012	BOLT , HEX/SP	1
12147078721	KEY SET	1
V6001106205	BEARING , BALL	4
V5201010020	PIN , PARALLEL/A	2
11105201010GB	SHIELD, PTO	1
14322420010	PIN	4
12609040620	LABEL , STARTING WARNING	2
V7051400720	C-RING , HOLE	1
V5801405036	PIN , SPRING	1
V2113606012	BOLT , HEX /S	1
15601320073	NUT , HEX LH	4
V3042600100	NUT , HEX/2	11
V7051400250	C-RING , HOLE	1
V2123806020	BOLT , HEX /SP	13
13155202511	TURNBUCKLE	2
14046210300	GROMMET	1
14729040130	LABEL , CAUTION PARKING	1
V7201035030	O-RING , P	2
V7081400120	E-RING	2
V5001950050	PIN , SPLIT	1
15601041000	CONNECTOR	1
V2173610035	BOLT , HEX/S	4
V7201024020	O-RING , P	2
V2183610035	BOLT , HEX/SP	1
V6001106005	BEARING , BALL	1
13155150021	HOSE , SUCTION	1
V7081400060	E-RING	1
11109100012	LABEL , PTO	1
V4111600200	WASHER , PLAIN	9
14445140051	PIN , 19	3
11109100032	LABEL , RANGE	1
V1112606040	SCREW , C/R PAN	1
12009100070	LABEL , WARNING BRAKE	1
V2323606016	BOLT , C/R HEX/SP	2
V7081400100	E-RING	1
V2113606030	BOLT , HEX /S	4
11106032211	COVER , DASH LOW	1
V6041106205	BEARING , BALL/HL1	2
V6001306004	BEARING , BALL	1
12209045010	LABEL , ROPS DANGER	1
11109100041	LABEL , POSITION	1

PART NUMBER DESCRIPTION QTY for EACH TRACTOR

17689200050	LABEL , DIFF	1
V6001106009	BEARING , BALL	2
14602130030	WASHER , 20X34X3	1
13154112131	NUT , M25	1
V7201024012	O-RING , P	5
11129040960	LABEL . KEY	1
12209045020	LABEL , ROPS WARNING	1
V2013610030	BOLT , HEX	2
V2183610025	BOLT , HEX/SP	10
14522092012	HUB , SYNCHRO MAIN	1
11107027500	FIXED PIN ASSY	2
V5001925015	PIN , SPLIT	2
V6001106004	BEARING , BALL	3
V7051400750	RING , C TYPE	1
11105208600	LIFT ROD SUB , RH	1
13154112141	SPACER(45X47X3)	2
11209100250	LABEL , CAUTION HOT	1
V7231020055	O-RING , S	1
16702230371	PLATE	5
35602010150	WASHER , BIND SHAFT	2
14522092020	SYNCHRO RING , SINGLE RING	2
V4011600050	WASHER , SPRING	11
13154112170	SHIM , B	1
11105030150	PLATE , STOPPER	1
V2403610040	BOLT , HEX FLANGE	10
11104102001GB	SHAFT ASSY , 4WD	1
V5801405025	PIN , SPRING	1
11106082111DG	COVER , LH/LEVER	1
V6041106305	BEARING , BALL/HL1	1
V7041400160	C-RING , SHAFT	1
13606642401	FLASHER ASSY	1
21306010180	PIN , SNAP/6	1
11105200020	PIN , 19	2
14522092141	COUPLING , SYCRO/S	1
V4111600050	WASHER , PLAIN	5
36108010080	SPRING , ENTRANCE FOR SEED(HCO	12
11105206000	TOP LINK ASSY	1
13153280050	PAD	1
11509200010	LABEL , NOTE/SPEED	1
11104120020	STAY , CYLINDER	2
16705050060	RING	1
36104400180	WASHER	1
11104130040	GEAR , BEVEL 14T	2
V7441253506	SEAL , OIL/D	2
V2013614035	BOLT , HEX	2
37371720090	CLAMP , W/HARNESS	4
11102320030	BUSH , 20X23X20	6
14527060010	WASHER , JERBSI SPRING/10	2
V5201010018	PIN , PARALLEL/A	12
11104130110	WASHER , 31X42X2	2

PART NUMBER DESCRIPTION QTY for EACH TRACTOR

V2403610060	BOLT , HEX FLANGE	4
V2403610075	BOLT , HEX FLANGE	4
11106563002	LAMP ASSY , STOP	2
V3232600100	NUT , HEX SLOT & CASTLE	1
14326510210	CAP , RUBBER 20	1
11644012302	CAP(TYM) , STEERING WHEEL	1
V6001106203	BEARING , BALL	5
11116502001	CABLE ASSY . BATTERY	1
V2173610020	BOLT , HEX/S	7
V6041106304	BEARING , BALL/HL1	1
11106032112	COVER , DASH UPR	1
V5201008016	PIN , PARALLEL/A	2
15156210300	CUSHION RUBBER A , RADIATOR	2
11101042350	SPONGE , 410	2
V3343600160	NUT , HEX FINE/2	2
V6001106010	BEARING , BALL	2
34523600070	ADAPTER , PF/45^	1
16703180191	PLATE , STOP	1
11501212200	COVER ASSY , CLUTCH	1
15602231610	BOLT , SET M8X16	1
V4111600240	WASHER , PLAIN	1
V2183610020	BOLT , HEX/SP	19
V7811600004	PLUG , SQUARE	2
16703180511	SHIM , O/0.5	1
18027090200	BAND CLAMP 20 EMBO TYPE	1
11101112101	TANK COMP , FUEL	1
11105208400	LIFT ROD SUB , LH	1
V7051400400	C-RING , HOLE	1
14326210110	CAP , M16	14
16601220020	TURNBUCKLE , M8 L60	3
V1922604016	SCREW , TAPPING	4
V2053606050	BOLT , HEX C/R	4
11104130060	GEAR , BEVEL 9T	2
18027090400	BAND CLAMP 40 EMBO TYPE	4
11101112300	GAUGE ASSY , FUEL	1
16703180181	SHIM , O/0.1	1
11111040110	HOSE , OUTLET RADIATOR	1
37371720110	CLAMP , FLASHER W/HARNES	1
V7821600002	PLUG , HEX TAPER	2
36313530021	ADAPTER , HIGH-PRESSURE	3
21443370020	PIN , 08X25	6
13424020060	CABLE TIE , 300	30
14445070030	GRIP , LEVER	1
11104130080	GEAR , BEVEL 40T	2
36501510110	RUBBER , E/G MOUNT	4
11104200010	COVER , 4WD	1
V1112605030	SCREW , C/R PAN	7
16995152420	CAP , DUST	2
V2004616040	BOLT , HEX	4
16703180171	SHIM , O/0.2	1

PART NUMBER DESCRIPTION QTY for EACH TRACTOR

14722710040	COLLAR , 17X24X6	1
11103240010M	SHAFT , WHEEL	2
11104130121	SHAFT , FRONT WHEEL	2
V5801408036	PIN , SPRING	1
11104130020	GEAR , BEVEL 9T	2
16994080072	UNION , SHORT	3
13155010030	BUSH , 35X42X40	1
11104412200MS	WHEEL RIM(4BX12)	2
11104120030	BUSH , 24X27X25	2
V7811600008	PLUG , SQUARE	1
V5201006012	PIN , PARALLEL/A	1
V6001606305	BEARING , BALL	1
15606950150	CABLE TIE , 370	3
11111162100	CABLE ASSY , THROTTLE	1
11106645000	SWITCH ASSY , POSITION	1
V2173610030	BOLT , HEX/S	22
11101042310GB	NET COMP , RADIATOR	1
11501212100	DISK ASSY , CLUTCH 200	1
V3342600100	NUT , HEX FINE/2	1
V5211008016	PIN , PARALLEL/B	3
V7041400170	C-RING , SHAFT	1
V7201019012	O-RING , P	1
V2034614030	BOLT , HEX FINE	19
11104101000	SUPPORT ASSY , 4WD	1
13764020030	CABLE TIE , 140	8
11501210050	BEARING , RELEASE SF0816	1
11105020030M	ARM , LIFT	2
11101122210GB	PLATE , BATTERY SET	1
11102400020	PLUG , M16	4
V5801406025	PIN , SPRING	2
11101042390	SPONGE , 314	2
11103200010M	HOUSING , REAR AXLE LH	1
V6802000019	BALL , STEEL	8
14256210040	CLAMP , 9	5
37481850030	BAND CLAMP 18	1
13154112160	SHIM , A	1
18027090160	BAND CLAMP 16 EMBO TYPE	12
V5001930025	PIN , SPLIT	1
11103284000	ROD ASSY , BRAKE	2
11506082121DG	COVER , RH/LEVER	1
13153272100	PLATE COMP , DISC	4
11104112220	GEAR , DIFF 15T	2
19022160031	COLLAR , 35X50X4	1
17973030420	SPRING	1
13155010040	BUSH , 40X46X40	1
V2193606025	BOLT , HEX/SPL	4
11106401400GB	PANEL , CTR/FLOOR	1
11104112210	GEAR , SPIRAL BEVEL 25T	1
V6001106302	BEARING , BALL	1
11101032400	SPONGE , AIRCLEANER	3

PART NUMBER DESCRIPTION QTY for EACH TRACTOR

11104112110	PINION , SPIRAL BEVEL 8T	1
80105030320	ELBOW (PF3/8, PF3/8)	1
11501330010	SPRING , RETURN	1
18716642500	SWITCH SET , PUSH	1
11105104100	HOSE ASSY , CYLINDER/900	1
11502522120	COLLAR , 35X46X3	2
16703272030	SPRING , RETURN	6
12136213210	KEY , BONNET OPEN	1
14443140091	CAP , PTO SHAFT	1
17995010150	HOSE . 500	1
16705251100	HOOK , TOPLINK	1
V2053606045	BOLT , HEX C/R	3
11104112230	PINION , DIFF 11T	2
V2004614095	BOLT , HEX	2
11201010050GB	COVER , STARTER	1
35652030040	COLLAR , PACKER SHAFT	1
11104072120	NYLON NUT , M24XP2.0	1
V7201019007	O-RING , P	2
13266212003	HORN	1
V7611500000	NIPPLE , GREASE/A-PT	1
11201050080	INSULATOR , RADIATOR	1
11116222000	EMBLEM ASSY , K1	1
11105103200	HOSE ASSY , DRAIN/1000	1
11111162411	PIN , ACELERATOR	1
11104130130M	COVER , WHEEL SHAFT	2
15642160041	WASHER , 30X46X3	1
11111040091	HOSE_RAD_CONNECTOR	1
11502522130	BEARING , ONEWAY HF3520B	2
13606562000	LAMP , POSITION	2
16322730030	SHIM , 0.5	1
11102542202	LEVER COMP , PTO	1
13606571000	REAR REFLECTOR	2
11105200040GB	PLATE , LOWER LINK	2
15603142910	BUSH , 16X18X15	4
14726010031	SPRING , HOOD CUSHION	2
11104072111	PIN	1
18027090700	BAND CLAMP 70 EMBO TYPE	1
11115103100	HOSE ASSY , PUMP/740	1
13153270030	PLATE , SEPARATE	2
36527040020	CLAMP , 20X180	1
11106684300	HARNESS ASSY , EARTH	1
11103180190	SHIM , 75	1
11106020010	SPRING , TENSION 40	2
11104051001	SCU	1
13267060022	PLUG , DRAIN	1
11102632000	FORK SET , 4WD	1
V3012600050	NUT , HEX/2	5
14521302150	BUSH , BAR COMP	2
11502320030	GEAR , MAIN 38T	1
11105030160	SEAL , DUST 15	1

PART NUMBER DESCRIPTION QTY for EACH TRACTOR

13016400010	SEAL , BATTERY BRACKET	2
14536680010	MOUNT , TIE	2
13152710020	SHAFT, MID PTO COUNTER	1
14445100080	BAND CLAMP 40	2
V2183610030	BOLT , HEX/SP	4
13152710010	MID PTO SHAFT	1
11111040011	HOSE , INLET RADIATOR	1
14501410050	BAND CLAMP 16	4
11105405100	VALVE ASSY , AUX	1
11105405400	ELBOW , T	1
V2174612040	BOLT , HEX/S	8
13152700011M	MID PTO CASE	1
36753302201GB	HOLDER COMP , TANK/RESERVE	1
11103200020M	HOUSING , REAR AXLE RH	1
V3052600100	NUT , HEX/3	2
11102540021	STAY , PTO	1
11105030051M	PISTON , HYD	1
V5801406050	PIN , SPRING	1
11115150010	HOSE , SUCTION	1
11106252120	RUBBER , MOUNTING	4
11103190020	CLUTCH , DIFF LOCK	1
35822210090	SPRING , HE070	2
11116213600	HEAD LAMP ASSY , RH	1
11105202200GB	LOWER LINK COMP	2
11104112270	SHAFT , DIFF PINION	1
13153181030	SHIM , 0.2	4
16703270011	CAM	2
11105030140	BALL , STEEL	1
16994080061	UNION , PT3/8 M18	1
11106017700	STAND COMP , BONNET	1
11206313020	WASHER , URETHANE(10X25X1)	4
14441010161	CLAMP , RADIATOR HOSE	1
11105405300	HOSE ASSY , HYD 1150	1
11111050050	SHROUD	1
12120028430	SWITCH , BATTERY	1
11106017600	GUIDE COMP , STAND	1
11116213200GB	GRILLE COMP, LH/RR	1
11116213300GB	GRILLE COMP, RH/RR	1
11104130010	SHAFT , LH	1
11502610010	SHAFT , 4WD	1
11105030110	VALVE , SLOW RETURN	1
12626010200	INSULATOR , SIDE COVER/LOWER	1
16586652000	HORN COMP	1
11105405500GB	BRACKET COMP , AUX	1
11105405200	HOSE ASSY , HYD 1650	1
13153270021M	METAL ,BRAKE LH	1
11106012810GB	PLATE , LH/HINGE	1
13607010012GB	NUMBER PLATE	1
V3402600100	NUT , HEX CAP	4
11115183100	VALVE , DIVIDER	1

PART NUMBER DESCRIPTION QTY for EACH TRACTOR

15601040104	CONNECTOR	1
11106012910GB	PLATE , RH/HINGE	1
11116213700GB	BRACKET COMP , GRILL	1
11101032300	BRACKET , AIRCLEANER	1
14216210380	CABLE TIE , 200	4
14887024000	LAMP ASSY , NUMBER PLATE	1
11501210040M	SLEEVE	1
11102511010	IDLE , PTO 33T	1
11103270040	C-RING , HOLE 140	2
13153270041M	METAL ,BRAKE RH	1
11203230020	SHAFT , PINION RH/9T	1
11105030120	GUIDE , SPRING	1
11102430030GB	LEVER , RANGE	1
11102630010GB	LINK , 4WD	1
15605070070	KNOB , SLOW RETURN	1
11104130090	SHAFT , RH	1
13153181010M	METAL , DIFF CASE	1
V6001106906	BEARING , BALL	1
13153180080	WASHER, THRUST 34X46X1	2
11102540031	LINK , PTO	1
11502330020	GEAR , REVERSE 35T	1
11103240040	COLLAR , 43X35X119	2
11102540040GB	LEVER , PTO	1
18027090600	BAND CLAMP 60 EMBO TYPE	3
11105030170	SHAFT , SLOW RETURN	1
11115103800	HOSE ASSY , MAIN/830	1
11205104501GB	PIPE COMP , TANK	1
11103190010M	FORK , DIFF LOCK	1
11105052102	LEVER COMP , POSITION	1
11116213500	HEAD LAMP ASSY , LH	1
16997021960	INSULATOR , 32	3
16791220010	PAD	1
V2014610025	BOLT , HEX	2
11105030130	SPRING , 15	1
11111034000	HOSE , AIRCLEANER/OUT	1
V2013608040	BOLT , HEX	1
V3002600050	NUT , HEX/1	6
11131162300	CABLE ASSY , ACCELERATOR/F	1
11102530011	SHAFT , PTO	1
11502522110	HUB , ONEWAY CLUTCH	1
11501305000	ROD ASSY , CLUTCH	1
11101112010	COVER , INLET	1
11101112031	INSULATOR , FUEL	1
V2123606025	BOLT , HEX /SP	6
V2513408020	BOLT , STUD/2	2
11104125100	CAP ASSY , OIL	1
13153181020	SHIM , 0.1	2
11102540010M	FORK , PTO	1
V6544252913	BEARING , NEEDLE CAGED	1
11102630020	GUIDE , BALL	1

PART NUMBER DESCRIPTION QTY for EACH TRACTOR

11105050010M	FORK , VALVE	1
11105050021	LEVER , POSITION	1
11111114100	HOSE ASSY, FUEL/1110	1
11147022401GB	FRAME COMP , LH/SPRT	1
11105030070	PLATE	1
11116013501	PIN COMP , FRONT UP LH	1
11116013601	PIN COMP , FRONT UP RH	1
11106024501	STAY SUB , HOOD	1
11111040120GB	BRACKET , RD HOSE FIX	1
V2013608030	BOLT , HEX	1
21004100070	STOPPER , ARM/CARRYING	1
11116214300	INSULATOR , SIDE/RR	1
11101112020	HOSE ASSY, COVER	1
11111113500	HOSE ASSY, FUEL FILTER/220	1
11111113201	HOSE ASSY, FUEL IN/380	1
11106492500GB	BRACKET COMP , PTO SENSOR	1
11106401200	SUPPORT COMP , RR/SEAT	1
11202520011	SHAFT , PTO COUNT	1
14522090350	BUSH , 30X35X25.4	2
V2123606020	BOLT , HEX /SP	5
11205020030	WASHER , RUBBER(8X16X4)	2
11115153400GB	FLANGE COMP , OUT	1
11104112260M	CASE , FR DIFF	1
11105153100	PIPE COMP , SUCTION	1
11105030061	ROD , PISTON	1
11107022100GB	FRAME COMP , LOW	1
11107022600GB	FRAME COMP , CTR/SPRT	1
11106300032	INSULATOR , COVER	1
11102611020	IDLE , 4WD 32T	1
V2173608012	BOLT , HEX/S	3
11102712110	GEAR , SPUR 32T	1
11116013700	PIN COMP , LOW	2
11111480010GB	PLATE , REAR	1
15134080020	HOSE , OIL	1
11203230010	SHAFT , PINION LH/9T	1
11105010011M	CASE , CYLINDER	1
11116212200SR	HOOD COMP	1
11105405140	BAR	1
11107012120GB	PLATE , SMV	1
19951019340	BOLT , FLYWHEEL	5
11131100120	BUSH , 15X18X15	1
V5201006032	PIN , PARALLEL/A	1
11202530050	HUB , 35X62X27	1
11202530030	GEAR , SPUR 41T	1
11502522010	SHAFT , ONEWAY CLUTCH	1
11504100010	SHAFT , 4WD	1
V7231015006	O-RING , S	1
12389010070	LABEL , SEAL D30	1
11201032010	BODY	1
11511213100	HOSE , AIRCLEANER INLET	1

PART NUMBER DESCRIPTION QTY for EACH TRACTOR

11116302380GB	FIX BRACKET , CABLE ASSY	1
11105405150	KNOB	1
11126313011GB	STAY , SIDE MIRROR	2
11115153300GB	FLANGE COMP , SUCTION	1
11106562000	LAMP SUB ASSY , STOP	2
19027612020	PIN , M8	1
11104120010M	AXLE HOUSING , FRONT	1
11104412070	BOLT , STUD/2	4
11103180070	SHAFT , DIFF PINION	1
11102611010	PINION , 4WD 18T	1
11202530022	GEAR , PTO 50T	1
11102610020	GEAR , 4WD 22T	1
11502300011M	CASE , MID TM	1
11502310010	GEAR , INPUT	1
11502200011M	COVER , FRONT	1
16701015001	PLUG ASSY , DRAIN (MAGNET)	1
11103270010M	COVER , BRAKE	2
11105020020M	CRANK , LIFT	1
11503280020	PAD , BRAKE	2
11146602001	PANEL ASSY , METER	1
17995060150	SPRING	1
11143292300	CABLE ASSY , HAND BRAKE /RH	1
V2173608065	BOLT , HEX/S	5
V6001506204	BEARING , BALL	1
V3042600140	NUT , HEX/2	4
15642750070	WASHER , 27X40X2	2
11147022200	GAS SPRING , ROPS	1
34522153200	SWITCH	1
V2514410030	BOLT , STUD/2	2
11103180030	DIFF GEAR , 20T	2
11103180040	PINION , DIFF 15T	2
V7801000002	PLUG , HEX-SOCKET	5
11502320040	GEAR , MAIN 30-45T	1
11203240020	GEAR , WHEEL 59T	2
12126684400	WIRE , EARTH	1
11502442400	GRIP COMP , MAIN SHIFTER	1
11106402201SR	FENDER COMP , RH	1
16001220000GB	PLATE COMP , ACCELERATOR	1
13613202100	BRAKE , HAND	1
11103412200MS	WHEEL RIM(W8X16)	2
11115182200	GEAR PUMP ASSY , 11cc	1
11116081200GB	FRAME COMP , FRONT	1
11511213300	DUCT, AIR INLET	1
V3052600080	NUT , HEX/3	2
11811491400	FUEL HOSE , 250	1
14326462600	SWITCH ASSY , INTENTION	1
11106402101SR	FENDER COMP , LH	1
11506412120	MAT , RH	1
V2023612045	BOLT , HEX FINE	4
11501302200	BAR SET , CLUTCH	1

PART NUMBER DESCRIPTION QTY for EACH TRACTOR

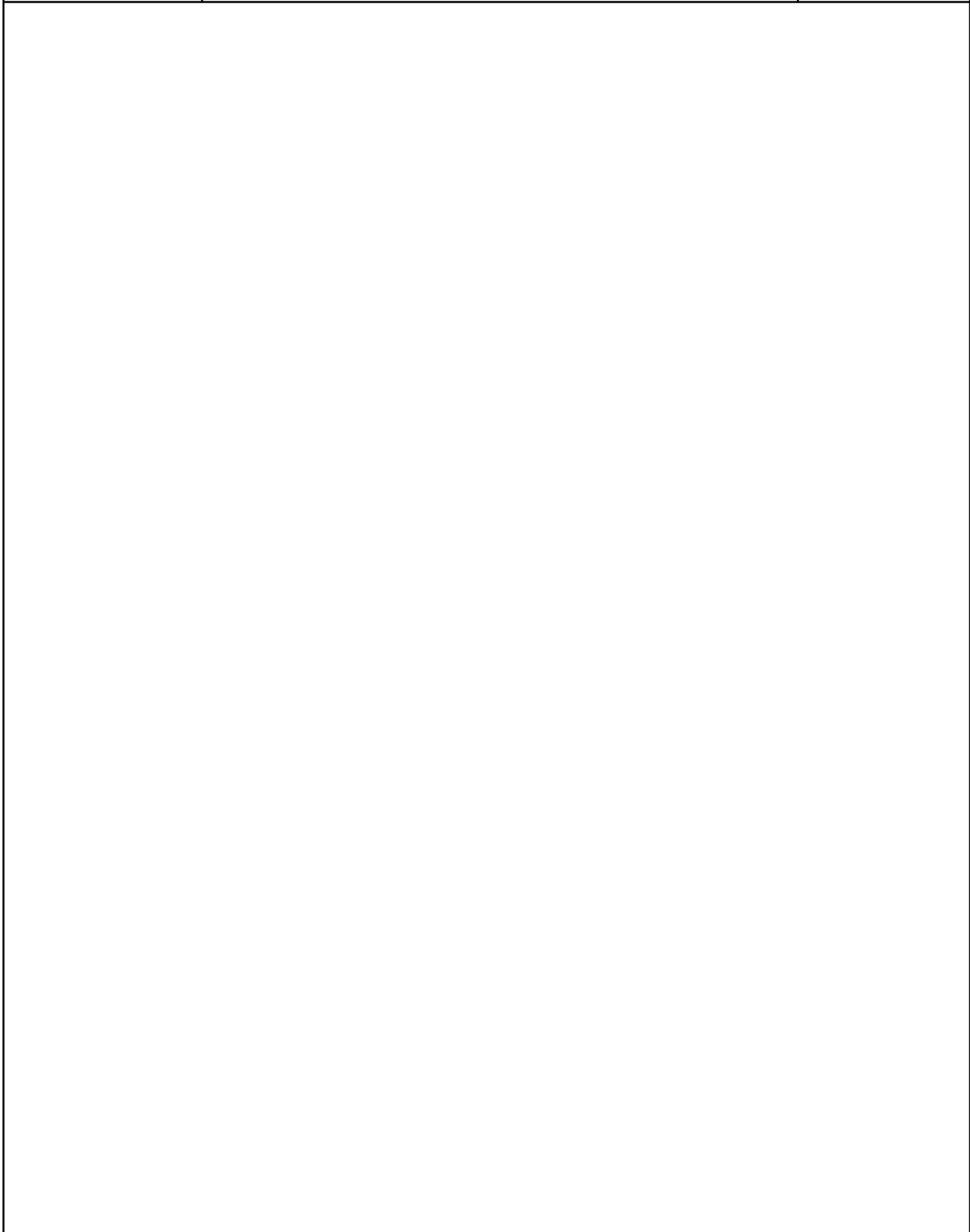
16791300020	BOLT , FORK/RELEASE	2
16994012020	COVER , STEERING	1
16992011110	CONNECTOR	1
11502350110	WASHER	3
11115153200GB	PIPE COMP, SUCTION	1
11106401501SR	PANEL COMP , LH/FLOOR	1
V3043600200	NUT , HEX/2	1
11143292200	CABLE ASSY , HAND BRAKE /LH	1
11131100110	SHAFT , DRIVE	1
11502400012M	CASE , REAR TM	1
11502411011	GEAR , RANGE 15-35T	1
11102542002	LEVER SET , PTO	1
11502350150	PIN , SPRING	2
11502350090	SPRING , HC20	2
V2173610065	BOLT , HEX/S	1
11501300030	MOUNTING RUBBER , CLUTCH	1
11206642101	CASE ASSY , FUSE	1
11106403100SR	FENDER BRACKET COMP , LH	1
V2013608095	BOLT , HEX	2
11147022501GB	FRAME COMP , RH/SPRT	1
15904370010	TUBE , 9.5-16	2
11121012000	FLYWHEEL ASSY	1
11501013011M	HOUSING , FLYWHEEL	1
11502430011M	FORK , RANGE	1
11502432000	LEVER SET , RANGE	1
11502350010M	FORK , MAIN 1-3	1
11502350020M	FORK , MAIN 2-R	1
11502350051	SHAFT , LEVER	1
11502352100	HOOK COMP , MAIN 1-3	1
11502353100	HOOK COMP , MAIN 2-R	1
11502353300	LINK COMP , MAIN 2-R	1
11502350120	HUB , MAIN	1
11502352301	LINK COMP , MAIN 1-3	1
11502352500	PLUG , M20	1
11502352600	PLUG , UNF7/8	1
11126684201	WIRE , EARTH	1
11501302100	ARM COMP , CLUTCH	1
11126684003	HARNESS ASSY , RR	1
11116213800GB	BRACKET COMP , LH/RR	1
11116213900GB	BRACKET COMP , RH/RR	1
11106400030	CAP , SWITCH	1
11506412110	MAT , LH	1
11126111050	SWITCH ASSY , SUSPENSION SEAT	1
15829040220	LABEL , MODEL/EU	1
12519100140	LABEL , JACK POINT	1

FIG 001 T255NHEU	VALVE KIT, AUX	년/월 Year/Month 2022-12
---------------------	----------------	------------------------------

--	--

NOTE	
------	--

FIG 001 T255NHEU	AUX VALVE KIT	년/월 Year/Month 2022-12
---------------------	---------------	------------------------------



NOTE	
------	--

1. 엔진 PART NO. EG

FIG 100 ENGINE	13
FIG 101 CYLINDER BLOCK	15
FIG 102 GEAR HOUSING	17
FIG 103 OIL SUMP	19
FIG 104 CYLINDER HEAD & BONNET	21
FIG 105 EXHAUST MANIFOLD	24
FIG 106 CAMSHAFT & DRIVING GEAR	26
FIG 107 CRANKSHAFT & PISTON	28
FIG 108 LUB.OIL SYSTEM	30
FIG 109 COOLING WATER SYSTEM	32
FIG 110 FUEL INJECTION PUMP	34
FIG 111 GOVERNOR	36
FIG 112 FUEL INJECTION VALVE	38
FIG 113 FUEL FILTER	40
FIG 114 STARTING MOTOR	42
FIG 115 GENERATOR	44

FIG 100 T255NHEU	ENGINE	년/월 Year/Month
		2022-12

--	--

NOTE	
------	--

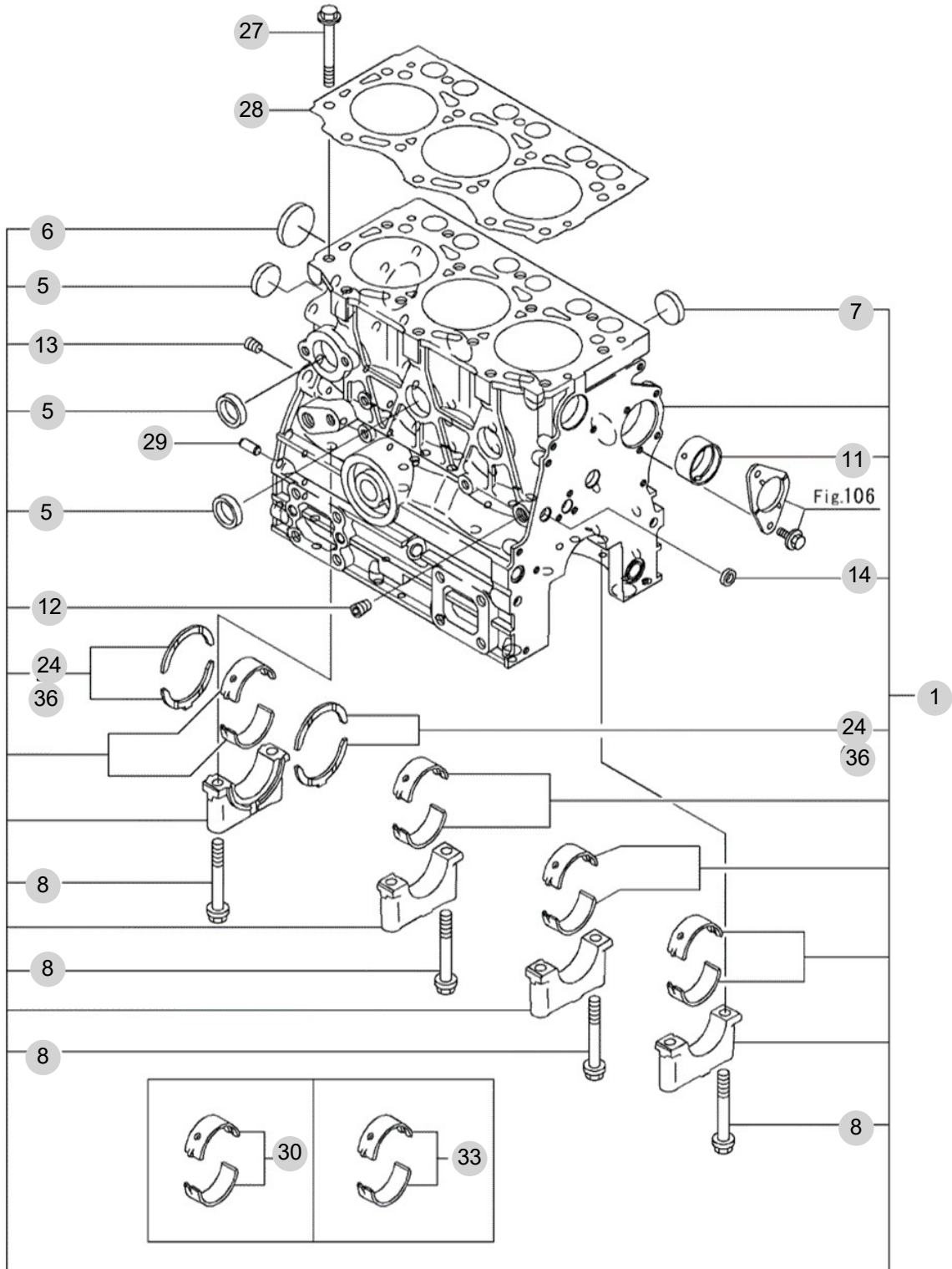
FIG 101

CYLINDER BLOCK

년/월
Year/Month

2022-12

T255NHEU



NOTE

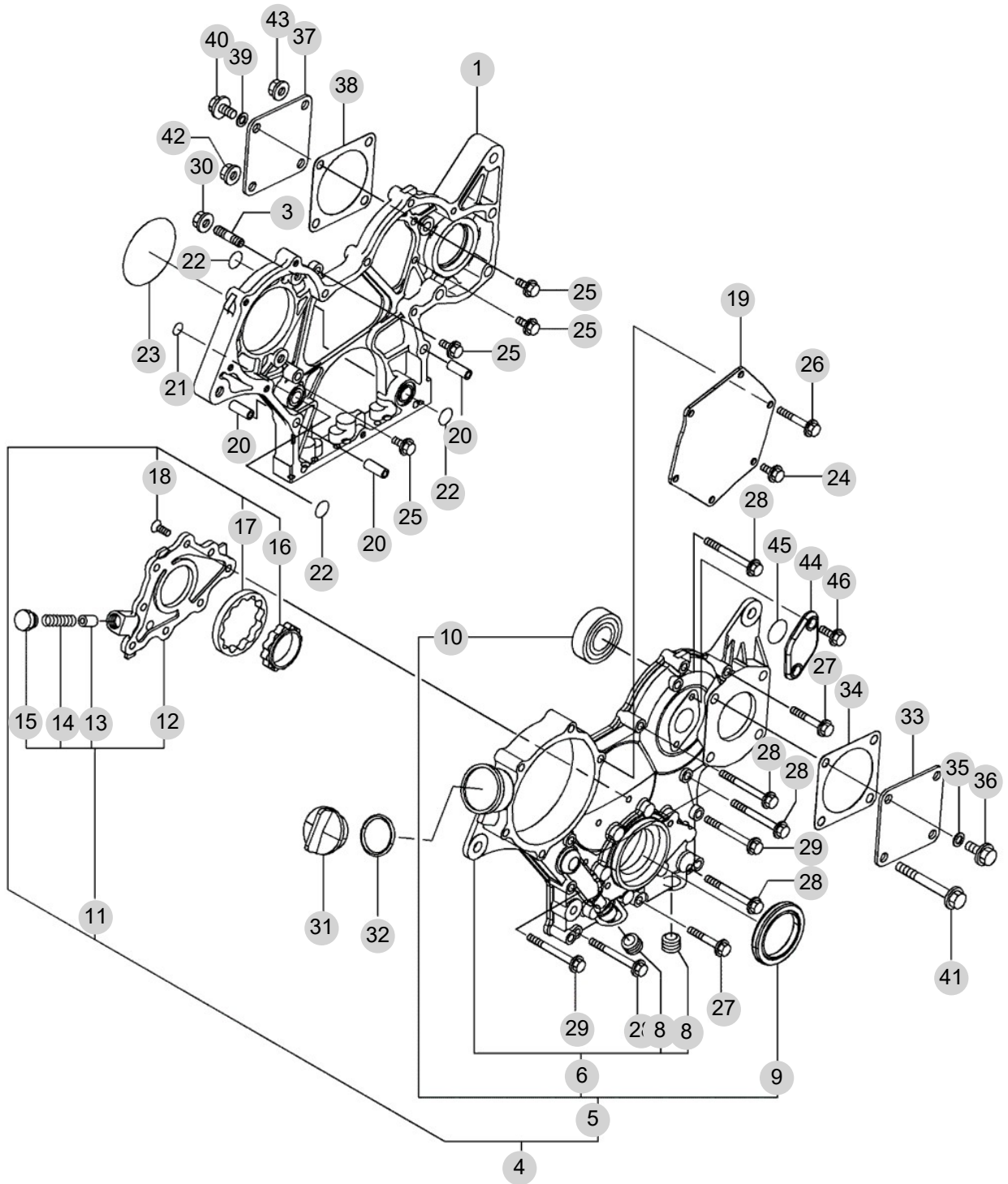
FIG 102

GEAR HOUSING

년/월
Year/Month

T255NHEU

2022-12



NOTE

FIG 102		GEAR HOUSING					년/월 Year/Month		
							2022-12		
T255NHEU		KEY NO	PART NO	DESCRIPTION	SPEC	QTY	REPAIR	EFFECTIVE DATE	REMARKS
102	1	119740-01501	CASE, GEAR			1			
102	3	119717-01570	STUD			3			
102	4	119751-01590	COVER ASSY, GEAR CASE			1			
102	5	719751-01500	COVER ASSY, GEAR CASE			1			
102	6	119751-01521	COVER, GEAR CASE			1			
102	8	23876-030000	PLUG, R03			2			
102	9	119717-01800	SEAL, OIL			1			
102	10	24101-062024	깊은 홈 볼베어링			1			
102	11	119717-32100	COVER ASSY			1			
102	12	119717-32080	COVER			1			
102	13	129900-32130	VALVE, RELIEF			1			
102	14	129001-32320	SPRING			1			
102	15	129001-32330	PLUG			1			
102	16	119717-32110	ROTOR, INNER			1			
102	17	119717-32120	ROTOR, OUTER			1			
102	18	119802-32130	SCREW, M6X16			8			
102	19	119717-01750	COVER			1			
102	20	119660-01911	PIPE, KNOCK			4			
102	21	119624-32040	O-RING, P12.0			1			
102	22	119717-32050	O-RING, P17.0			3			
102	23	121850-51960	O-RING			1			
102	24	26106-060122	BOLT, M6X 12 PLATED			1			
102	25	26106-060162	BOLT, M6X 16 PLATED			4			
102	26	26106-060402	BOLT, M6X 40 PLATED			4			
102	27	26106-060402	BOLT, M6X 40 PLATED			2			
102	28	26106-060602	BOLT, M6X 60 PLATED			7			
102	29	26106-060652	BOLT, M6X 65 PLATED			2			
102	30	26306-080002	NUT, M8			3			
102	31	124160-01751	COVER, FILLER			1			
102	32	24311-000320	운동용 O링			1			
102	33	124240-01871	COVER			1			
102	34	129C26-01890	GASKET, HO-P			1			
102	35	22190-080002	WASHER, SEAL 8			1			
102	36	26106-080122	BOLT, M8X 12 PLATED			1			
102	37	124240-01871	COVER			1			
102	38	129C26-01890	GASKET, HO-P			1			
102	39	22190-080002	WASHER, SEAL 8			1			
102	40	26106-080142	BOLT, M8X 14 PLATED			1			
102	41	26106-080702	BOLT, M8X 70 PLATED			3			
102	42	26306-080002	NUT, M8			1			
102	43	26306-080002	NUT, M8			2			
102	44	121023-01551	COVER			1			
102	45	24341-000240	O-RING, 1AS24.0			1			
102	46	26106-060162	BOLT, M6X 16 PLATED			2			
NOTE									

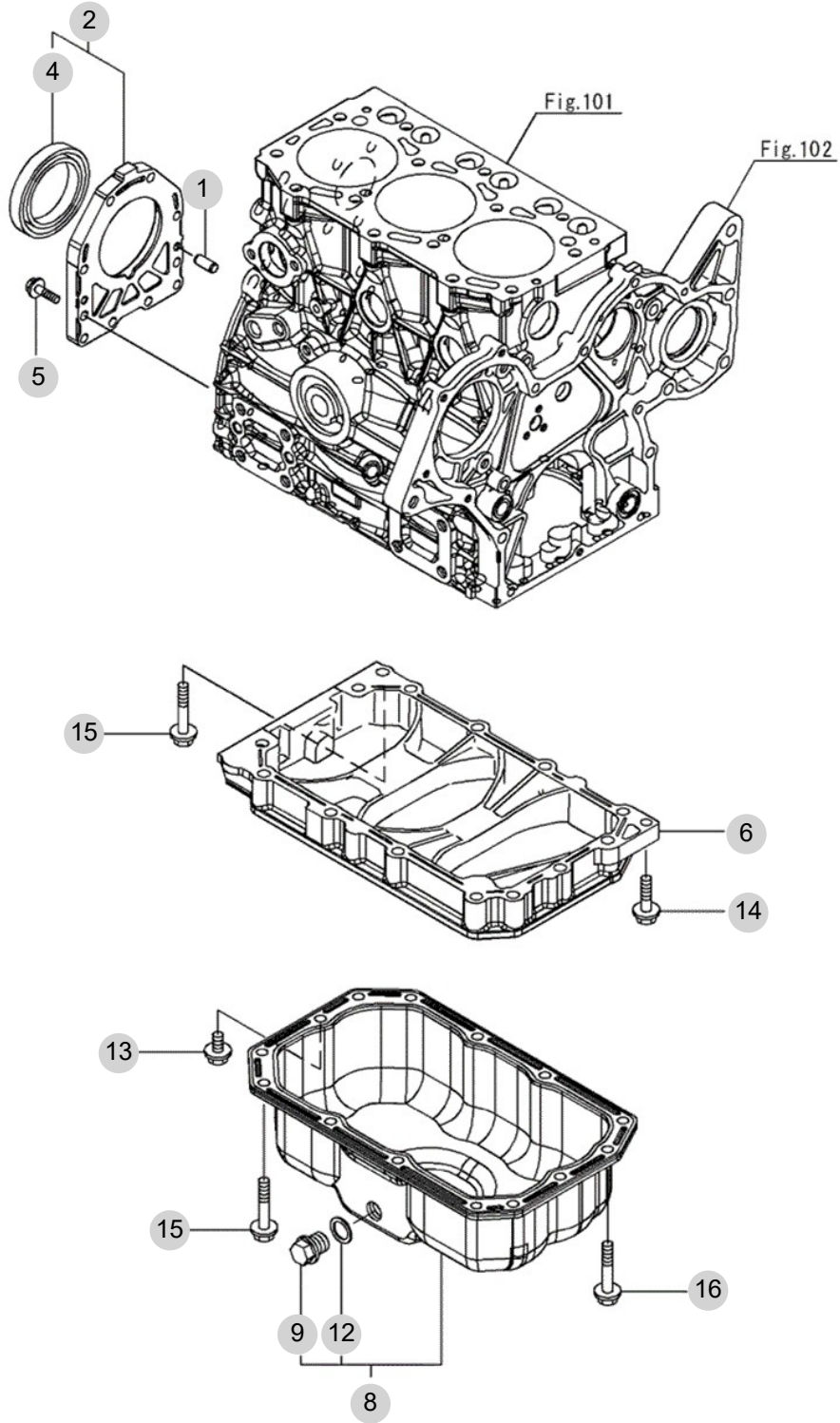
FIG 103

T255NHEU

OIL SUMP

년/월
Year/Month

2022-12



NOTE

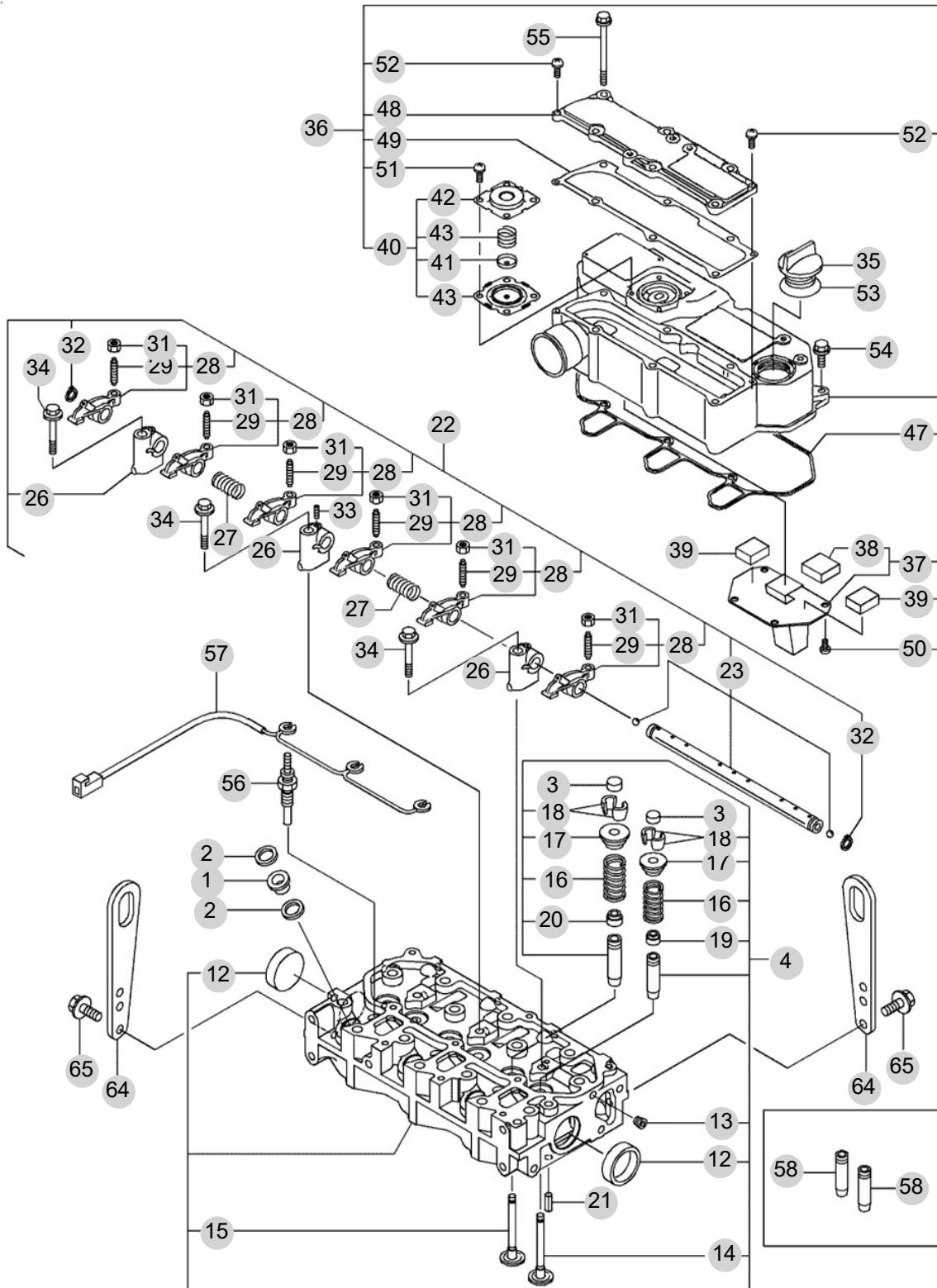
FIG 104

CYLINDER HEAD & BONNET

년/월
Year/Month

2022-12

T255NHEU



NOTE

FIG 104		CYLINDER HEAD & BONNET					년/월 Year/Month		
							2022-12		
T255NHEU		KEY NO	PART NO	DESCRIPTION	SPEC	QTY	REPAIR	EFFECTIVE DATE	REMARKS
104	1	129901-11450	PROTECTOR, NOZZLE			3			
104	2	119600-11460	GASKET, NOZZLE			6			
104	3	105010-11490	CAP, VALVE			6			
104	4	119717-11740	HEAD ASSY, CYLINDER			1			
104	12	119285-11990	PLUG, 35			2			
104	13	23876-005000	PLUG, R005			1			
104	14	119717-11101	VALVE, INTAKE			3			
104	15	119717-11110	VALVE, EXHAUST			3			
104	16	119717-11131	SPRING, VALVE			6			
104	17	129508-11180	RETAINER, SPRING			6			
104	18	119717-11190	COTTER			12			
104	19	119717-11340	SEAL, VALVE STEM			3			
104	20	119717-11350	SEAL, VALVE STEM			3			
104	21	22351-060012	스프링핀			2			
104	22	119717-11200	SUPPORT ASSY, ARM			1			
104	23	119717-11240	SHAFT ASSY, ROCKER			1			
104	26	119717-11260	SUPPORT, ROCKER ARM			3			
104	27	119620-11280	SPRING			2			
104	28	119717-11650	ARM, ROCKER			6			
104	29	129150-11230	SCREW, VALVE ADJUST			6			
104	31	129150-11750	NUT, M8			6			
104	32	22242-000120	RING, 12			2			
104	33	119260-11270	SCREW			1			
104	34	26106-080402	BOLT, M8X 40 PLATED			3			
104	35	124160-01751	COVER, FILLER			1			
104	36	119717-11381	BONNET ASSY, HEAD			1			
104	37	119717-03031	PLATE			1			
104	38	119717-03070	BAFFLE, BREATHER			1			
104	39	119717-03070	BAFFLE, BREATHER			2			
104	40	119802-03100	DIAPHRAGM ASSY			1			
104	41	119802-03110	PLATE			1			
104	42	119802-03121	COVER, DIAPHRAGM			1			
104	43	119802-03131	DIAPHRAGM			1			
104	44	119802-03141	SPRING, DIAPHRAGM			1			
104	47	119718-11310	GASKET, BONNET			1			
104	48	119717-11320	COVER, BONNET			1			
104	49	119717-11331	GASKET			1			
104	50	22857-500100	SCREW, 5X10			4			
104	51	22857-500100	SCREW, 5X10			4			
104	52	22857-500160	SCREW, 5X16			2			
104	53	24311-000320	운동용O링			1			
104	54	26106-060202	BOLT, M6X20 PLATED			3			
104	55	26106-060752	BOLT, M6X75 PLATED			6			
104	56	119717-77801	PLUG, GLOW			3			
104	57	119717-77820	CONNECTOR, GLOW PLUG			1			
NOTE									

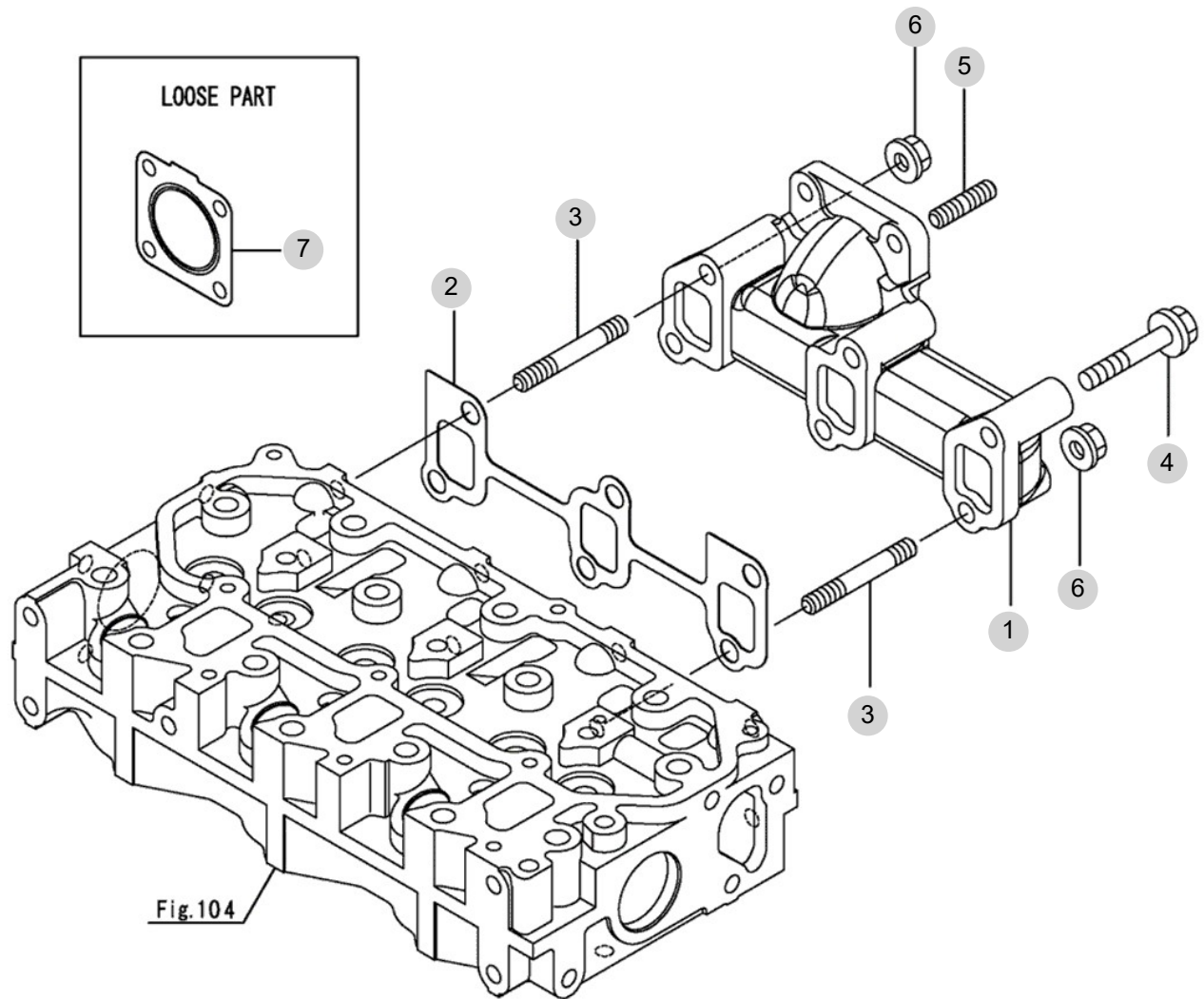
FIG 105

EXHAUST MANIFOLD

년/월
Year/Month

T255NHEU

2022-12



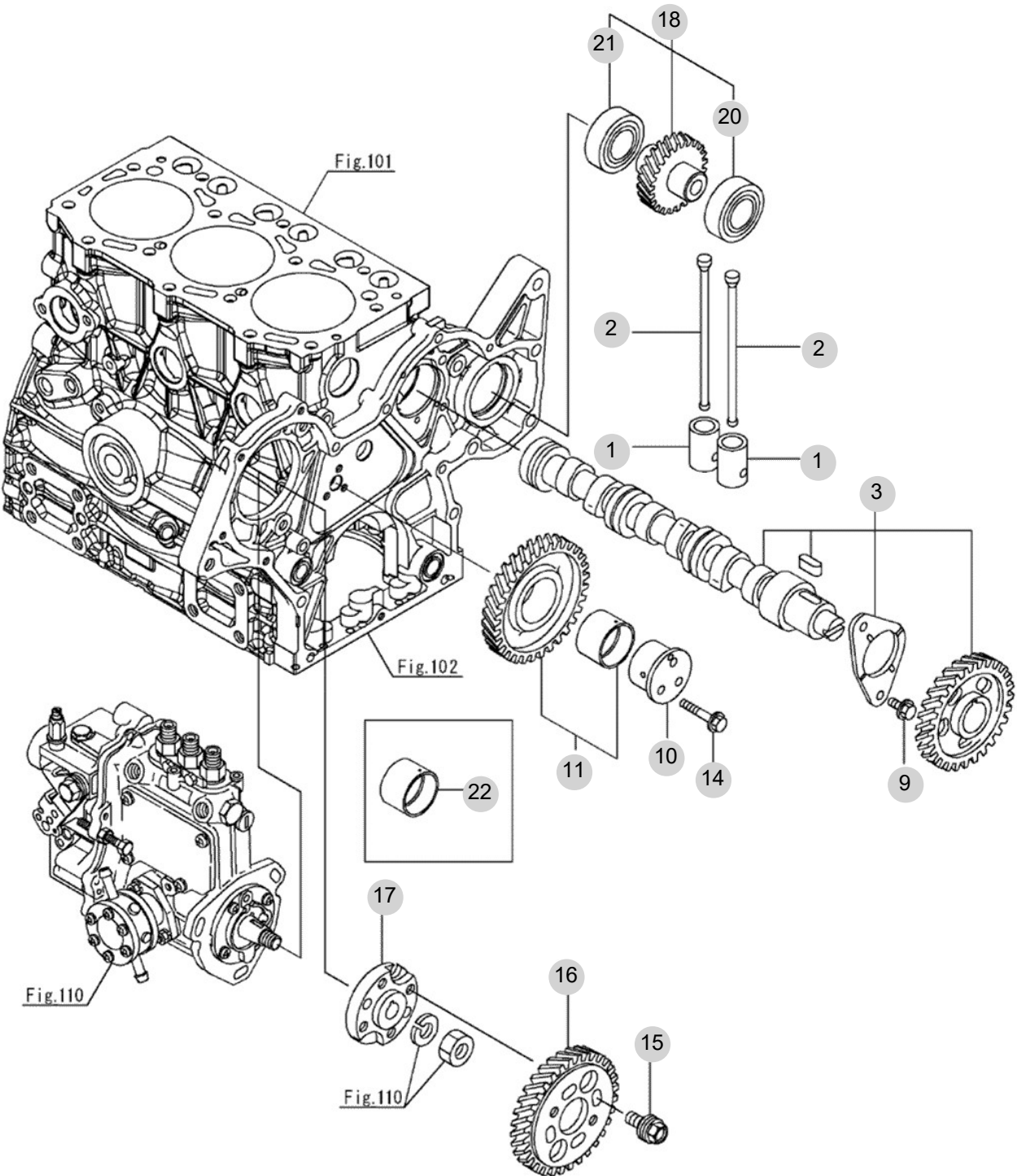
NOTE

FIG 106

CAMSHAFT & DRIVING GEAR

년/월
Year/Month

2022-12



NOTE

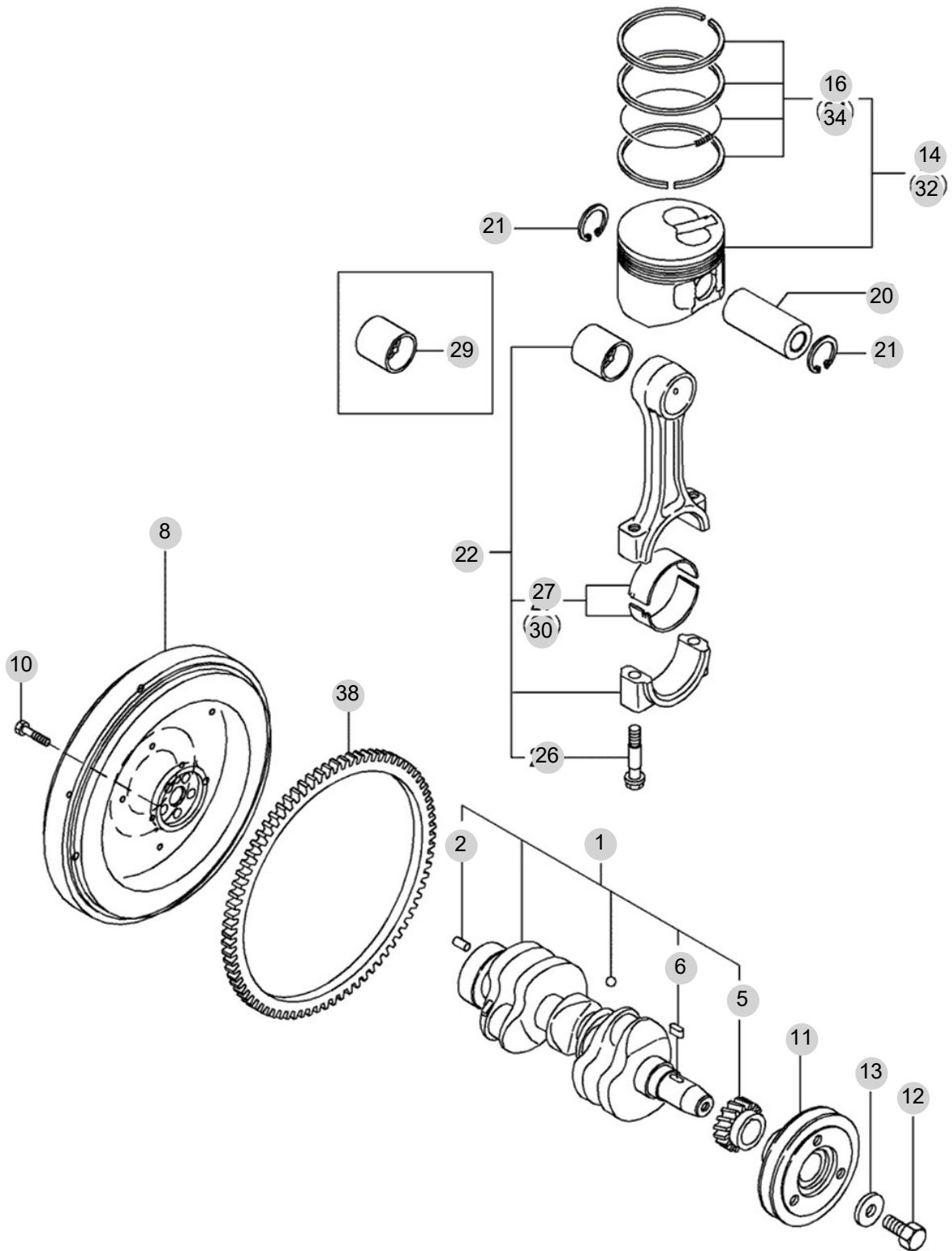
FIG 107

T255NHEU

CRANKSHAFT & PISTON

년/월
Year/Month

2022-12



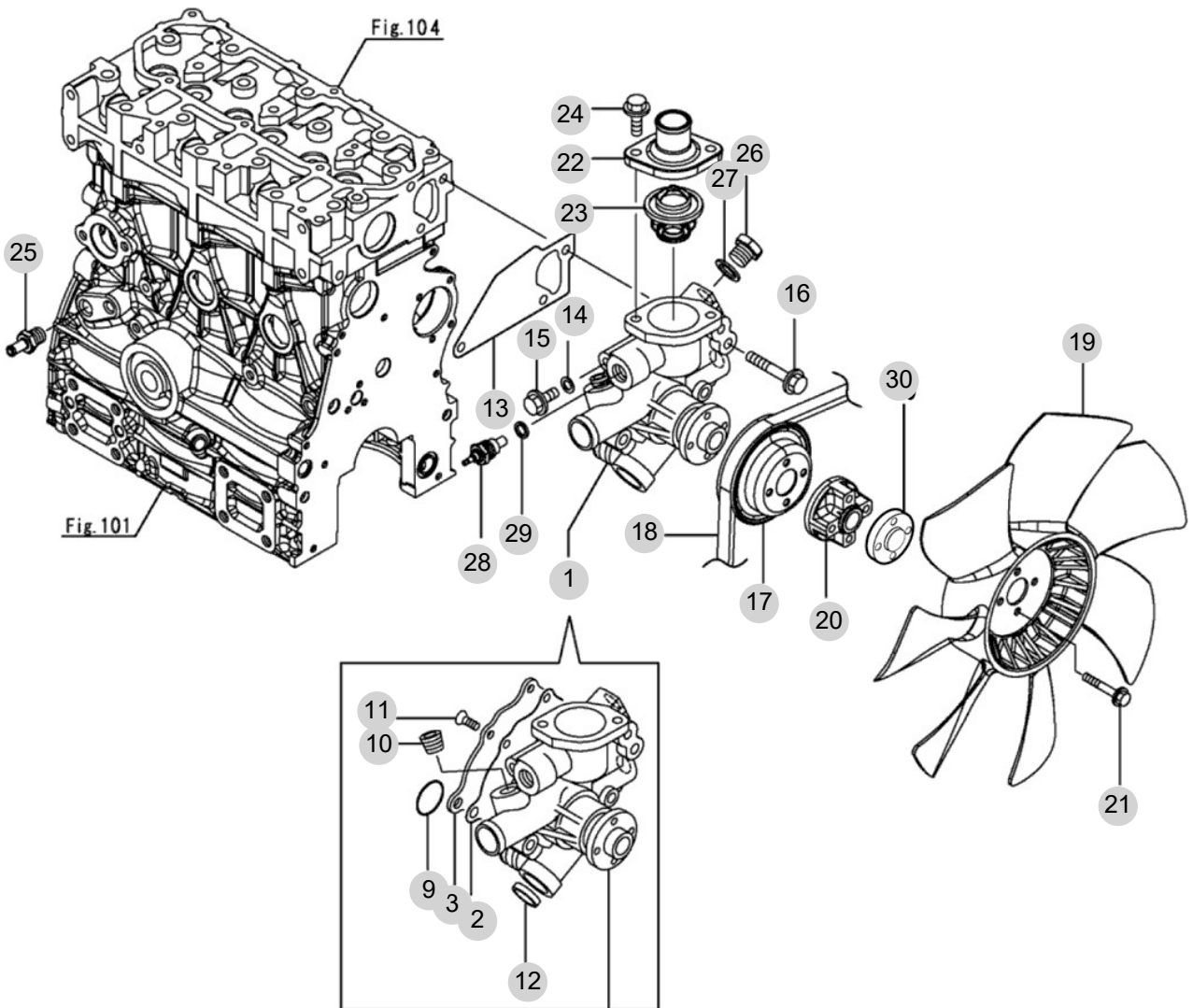
NOTE

FIG 109

COOLING WATER SYSTEM

년/월
Year/Month

2022-12



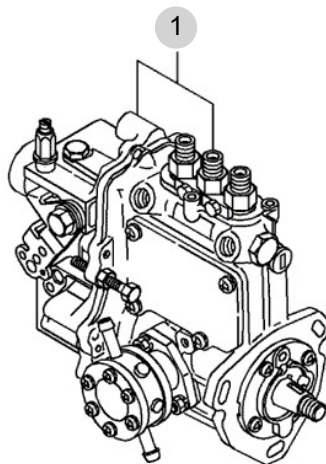
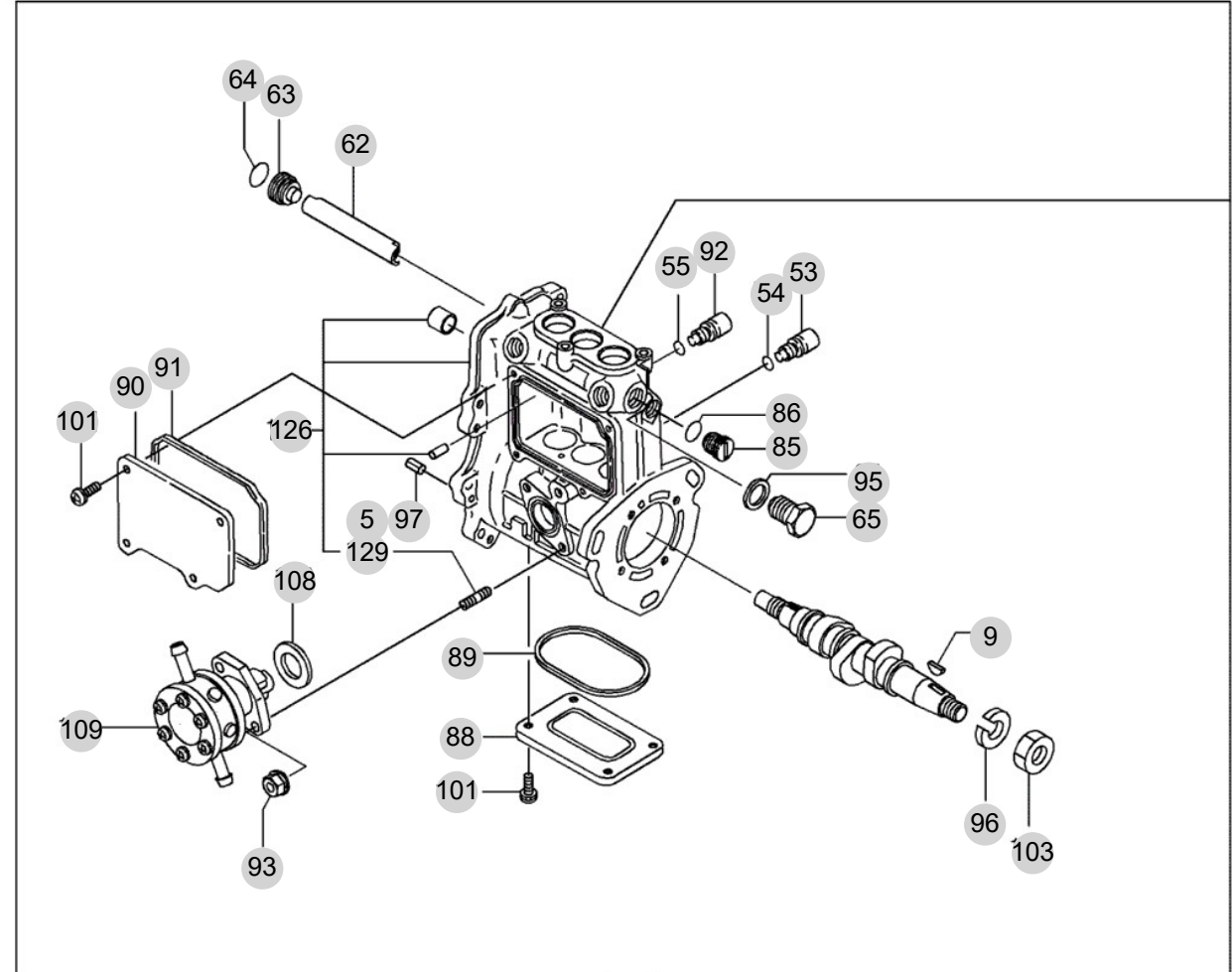
NOTE

FIG 110

FUEL INJECTION PUMP

년/월
Year/Month

2022-12



NOTE

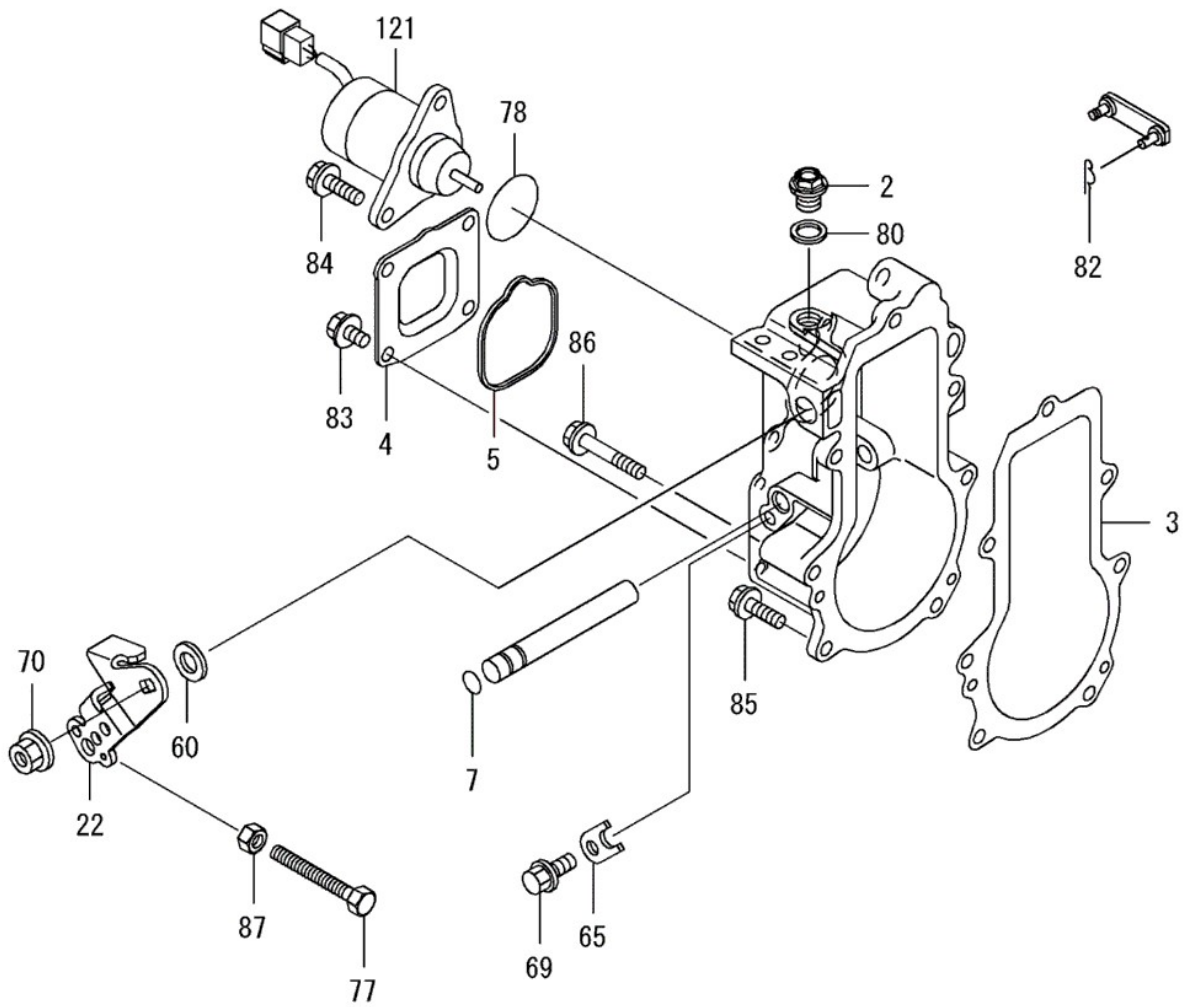
FIG 111

T255NHEU

GOVERNOR

년/월
Year/Month

2022-12



NOTE

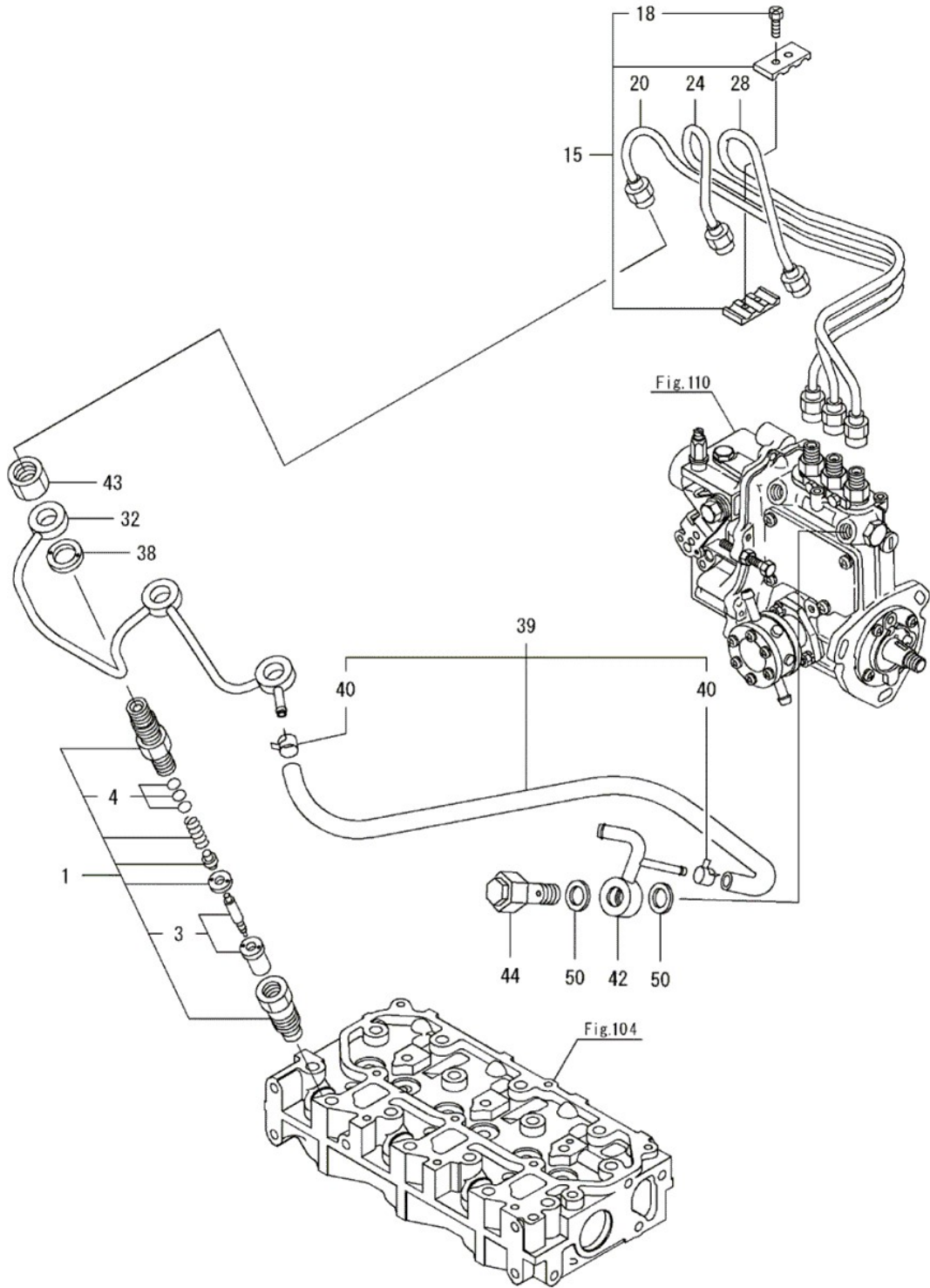
FIG 112

T255NHEU

FUEL INJECTION VALVE

년/월
Year/Month

2022-12



NOTE

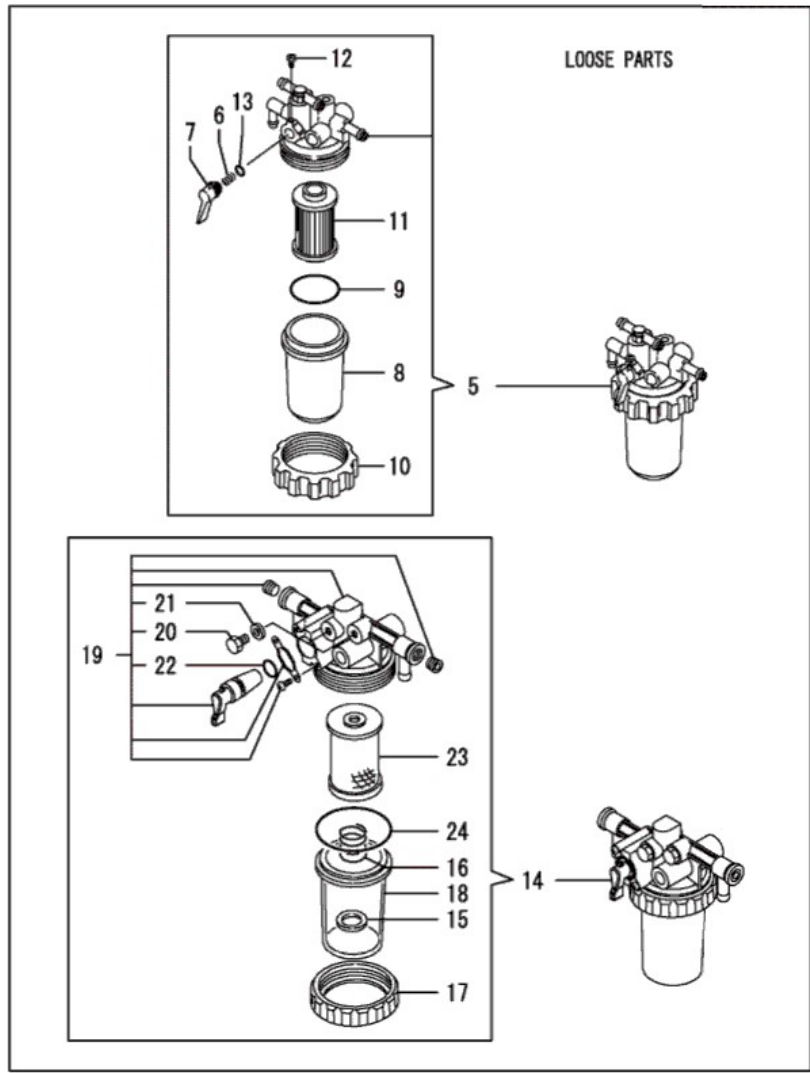
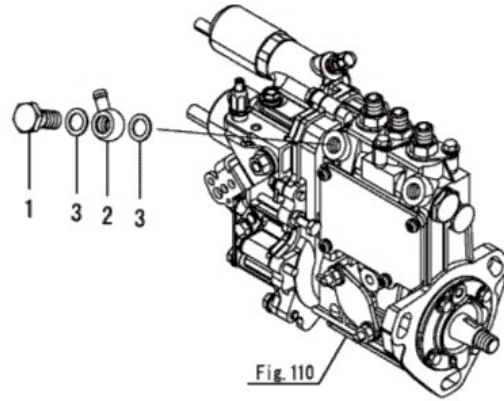
FIG 113

T255NHEU

FUEL FILTER

년/월
Year/Month

2022-12



NOTE

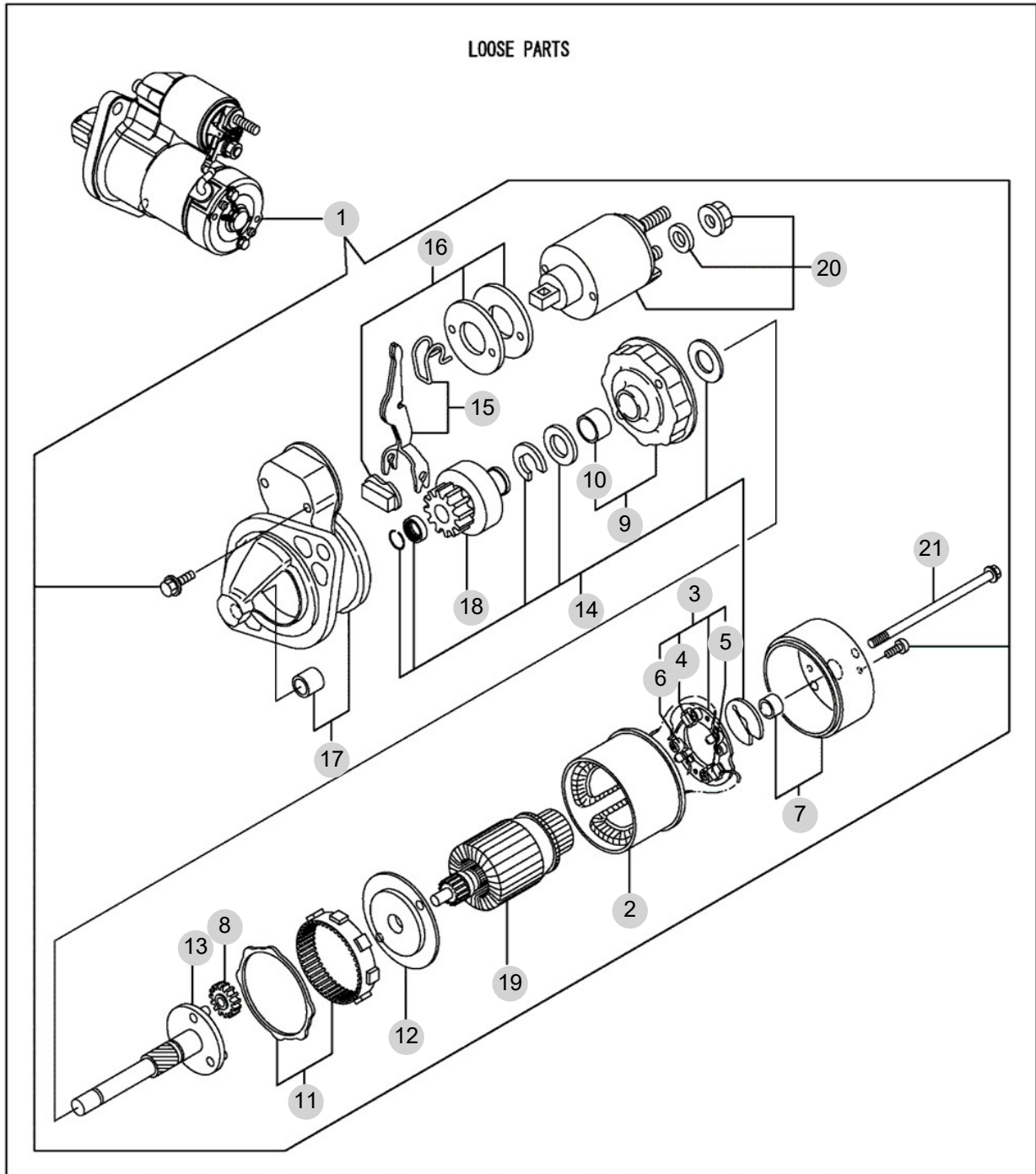
FIG 114

STARTING MOTOR

년/월
Year/Month

T255NHEU

2022-12



NOTE

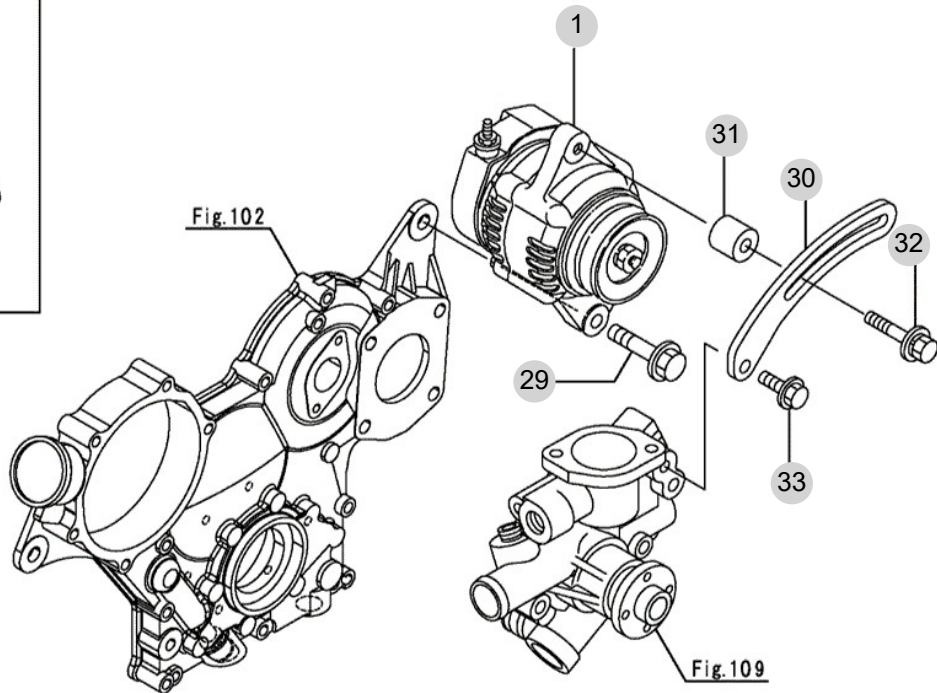
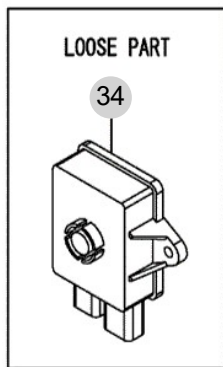
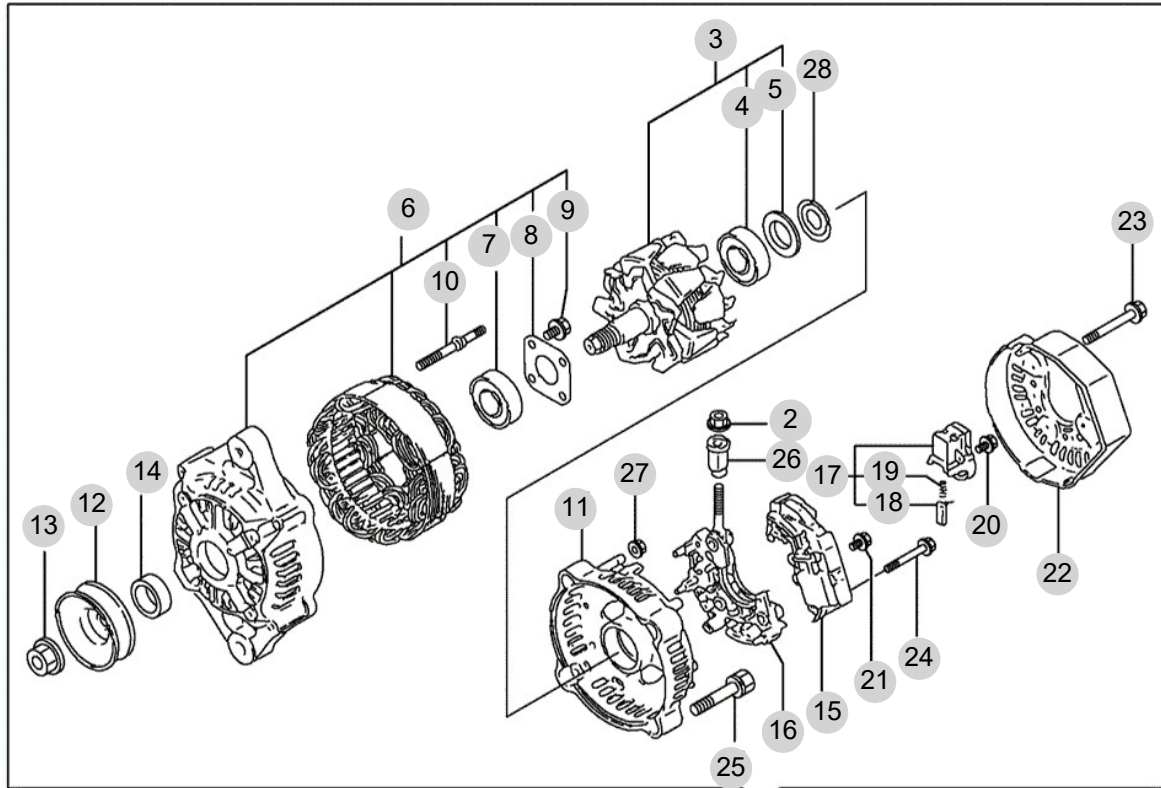
FIG 115

GENERATOR

년/월
Year/Month

2022-12

T255NHEU



NOTE

FIG 115 T255NHEU	GENERATOR	년/월 Year/Month
		2022-12

KEY NO	PART NO	DESCRIPTION	SPEC	QTY	REPAIR	EFFECTIVE DATE	REMARKS
115	1	129423-77210	ALTERNATOR, 12V-40A	1			
115	2	129240-79310	NUT	1			
115	3	119620-77380	ROTOR ASSY	1			
115	4	123501-79240	BEARING, BALL	1			
115	5	119620-79250	COVER	1			
115	6	119620-77421	FRAME ASSY, DRIVE	1			
115	7	119620-79200	BEARING, BALL	1			
115	8	119620-79210	PLATE, RETAINER	1			
115	9	119620-79220	SCREW	4			
115	10	119620-79230	STUD	2			
115	11	119620-77440	FRAME ASSY	1			
115	12	119620-77461	PULLEY	1			
115	13	119620-77471	NUT	1			
115	14	119620-77490	COLLAR	1			
115	15	129423-77730	REGULATOR ASSY	1			
115	16	119620-79260	HOLDER	1			
115	17	129052-79270	HOLDER, BRUSH	1			
115	18	119620-77480	BRUSH ASSY	2			
115	19	119620-79280	SPRING	2			
115	20	119620-79290	SCREW	6			
115	21	119620-79300	SCREW	1			
115	22	129240-79300	COVER	1			
115	23	119620-79310	BOLT	3			
115	24	119620-79320	SCREW	2			
115	25	119620-79330	BOLT	2			
115	26	119620-79340	BUSH , INSULATION	1			
115	27	119620-79350	NUT	2			
115	28	119620-79360	WASHER , THRUST	1			
115	29	26106-100452	BOLT , M10X45 PLATED	1			
115	30	119515-77330	ADJUSTER	1			
115	31	124732-77340	SPACER	1			
115	32	129972-77341	BOLT, ADJUSTER L=50	1			
115	33	26106-080202	BOLT, M8X20 PLATED	1			
115	34	119C10-77600	드라이버, 솔레노이드	1			

NOTE	
-------------	--

2. 엔진보기품 PART NO. T2

FIG 201 AIR CLEANER	47
FIG 202 RADIATOR	49
FIG 203 MUFFLER	51
FIG 204 FUEL TANK & FUEL LINE	53
FIG 205 ACCELERATOR	55
FIG 206 FUEL FILTER	57
FIG 207 ENGINE MOUNTING	59

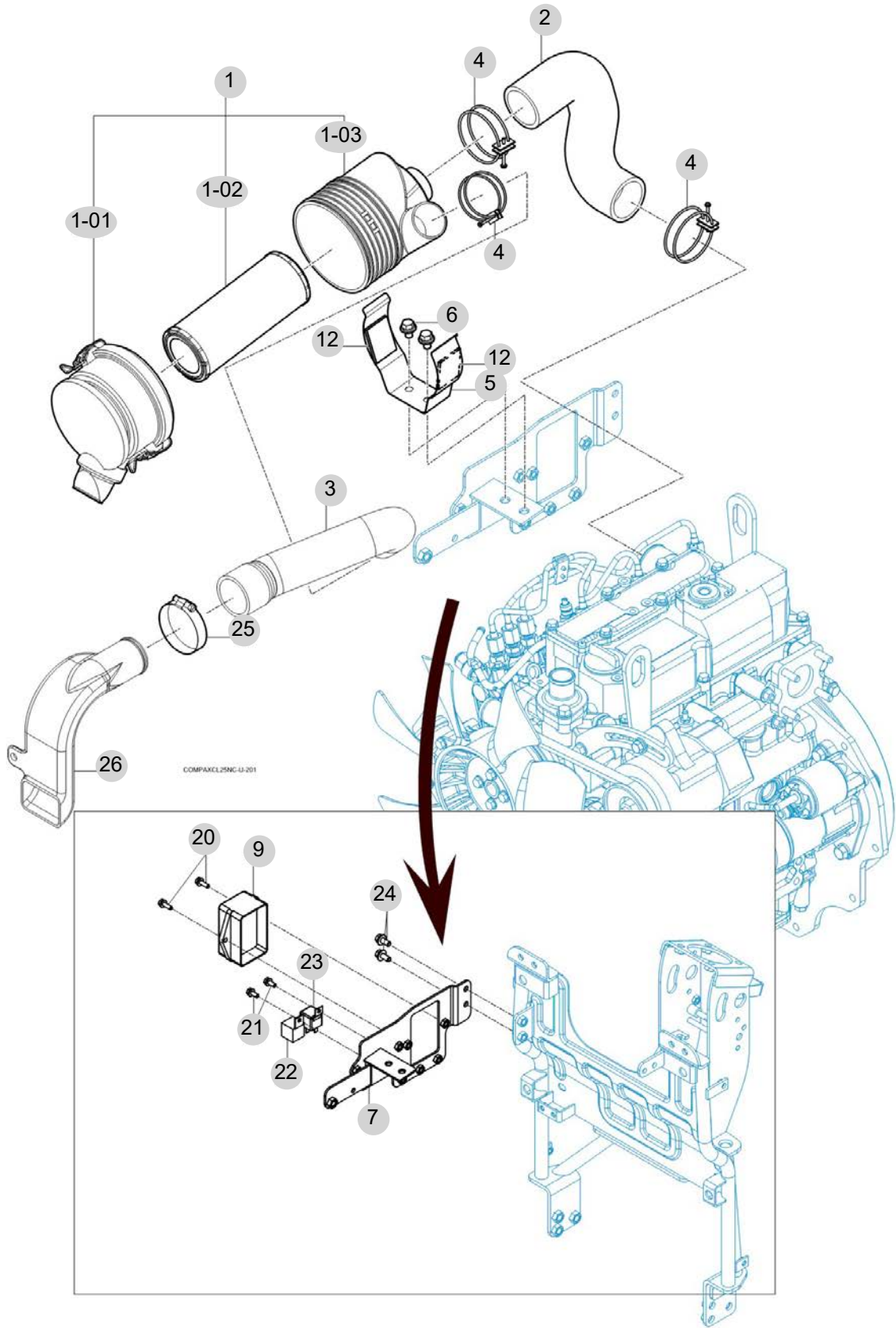
FIG 201

AIR CLEANER

년/월
Year/Month

2022-12

T255NHEU



NOTE

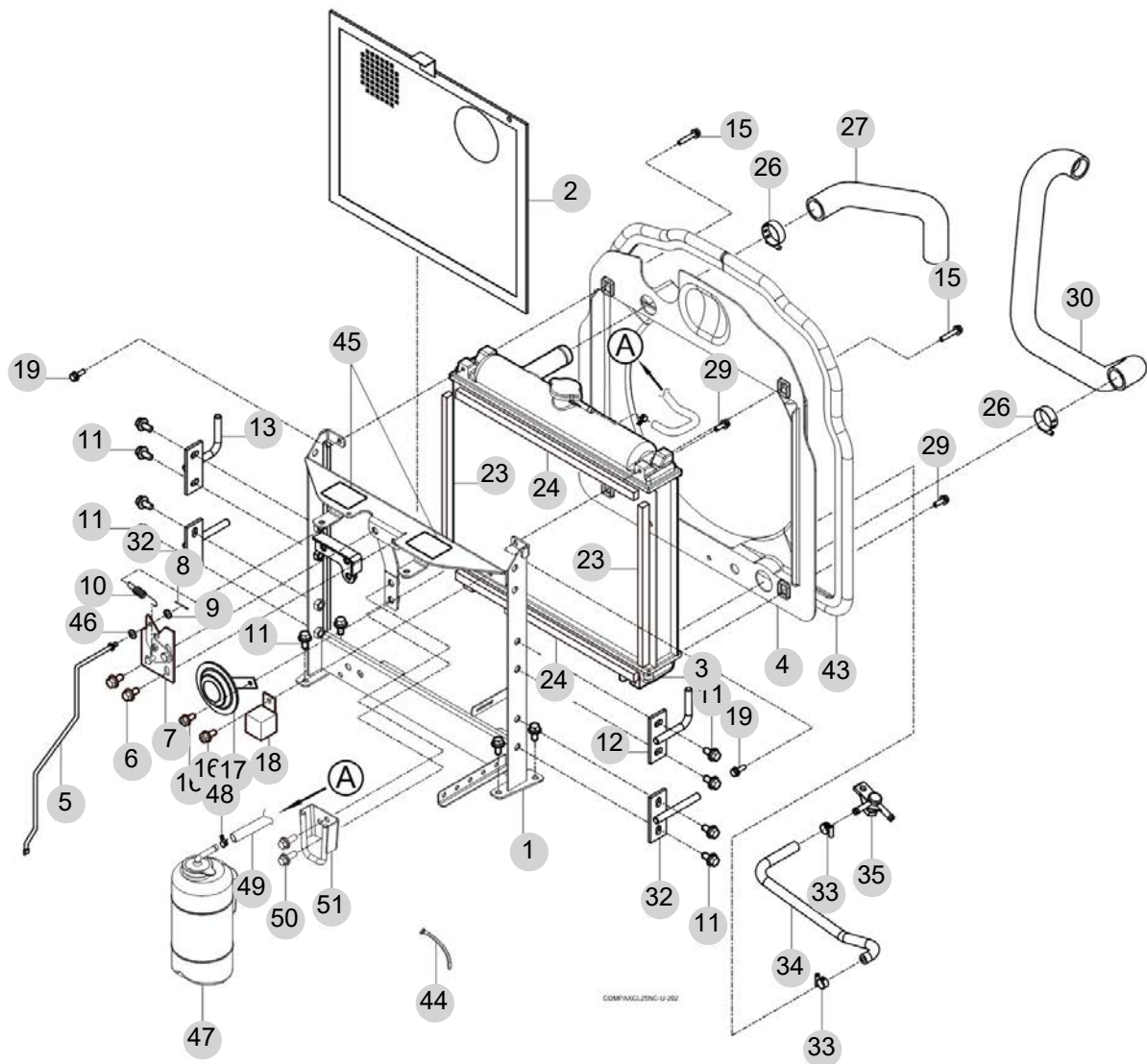
FIG 202

T255NHEU

RADIATOR

년/월
Year/Month

2022-12



COMPANCLONG-U-202

NOTE

FIG 202		RADIATOR					년/월 Year/Month			
T255NHEU								2022-12		
KEY NO	PART NO	DESCRIPTION	SPEC	QTY	REPAIR	EFFECTIVE DATE	REMARKS			
202	1	11116081200GB	프런트 프레임 COMP					1		
202	2	11101042310GB	네트(라디에이터) COMP					1		
202	3	11111042000	라디에이터 COMP					1		
202	4	11111050050	슈라우드					1		
202	5	11126024300						1		
202	5	11126024301	로드(열림) COMP					1		
202	6	V2183608020	소형육각볼트보통(SP)	M8X20				2		
202	7	11106024501	후드 스테이 SUB					1		
202	8	V5001925020	핀					1		
202	9	V4111600060	평와서	M6				1		
202	10	11106020010	인장스프링(40)					1		
202	11	V2183608020	소형육각볼트보통(SP)	M8X20				14		
202	12	11116013501	핀(전/상/좌) COMP					1		
202	13	11116013601	핀(전/상/우) COMP					1		
202	15	V2193606020	육각볼트(SPL)	M6X20				2		
202	16	V2323606016	심자흡육각볼트(SP)	M6X16				2		
202	17	13266212003	흔					1		
202	18	17686641110	예열릴레이					1		
202	19	V2323606016	심자흡육각볼트(SP)	M6X16				2		
202	23	11101042390	스폰지(314)					2		
202	24	11101042350	스폰지(410)					2		
202	26	14445100080	밴드 클램프 40					2		
202	27	11111040011	라디에이터 호스(인렛)					1		
202	29	V2193606020	육각볼트(SPL)	M6X20				2		
202	30	11111040110	라디에이터 호스(아웃렛)					1		
202	32	11116013700	핀 COMP(하)					2		
202	33	14501410050	밴드 클램프 16					2		
202	34	11111040091	라디에이터 연결호스					1		
202	35	15601041000	콘넥터 ASSY					1		
202	43	11201050080	인슐레이터 , 라디에이터					1		
202	44	15606950150	케이블타이(370)					2		
202	45	13016400010	씰 , 배터리 브래킷					2		
202	46	V7231015006	O링(S)					1		
202	47	16003302101	탱크(리저브)ASSY					1		
202	48	14501410050	밴드 클램프 16					2		
202	49	17995010150	호스(500)					1		
202	50	V2183608020	소형육각볼트보통(SP)	M8X20				2		
202	51	36753302201GB	홀더(탱크/리저브)COMP					1		
NOTE										

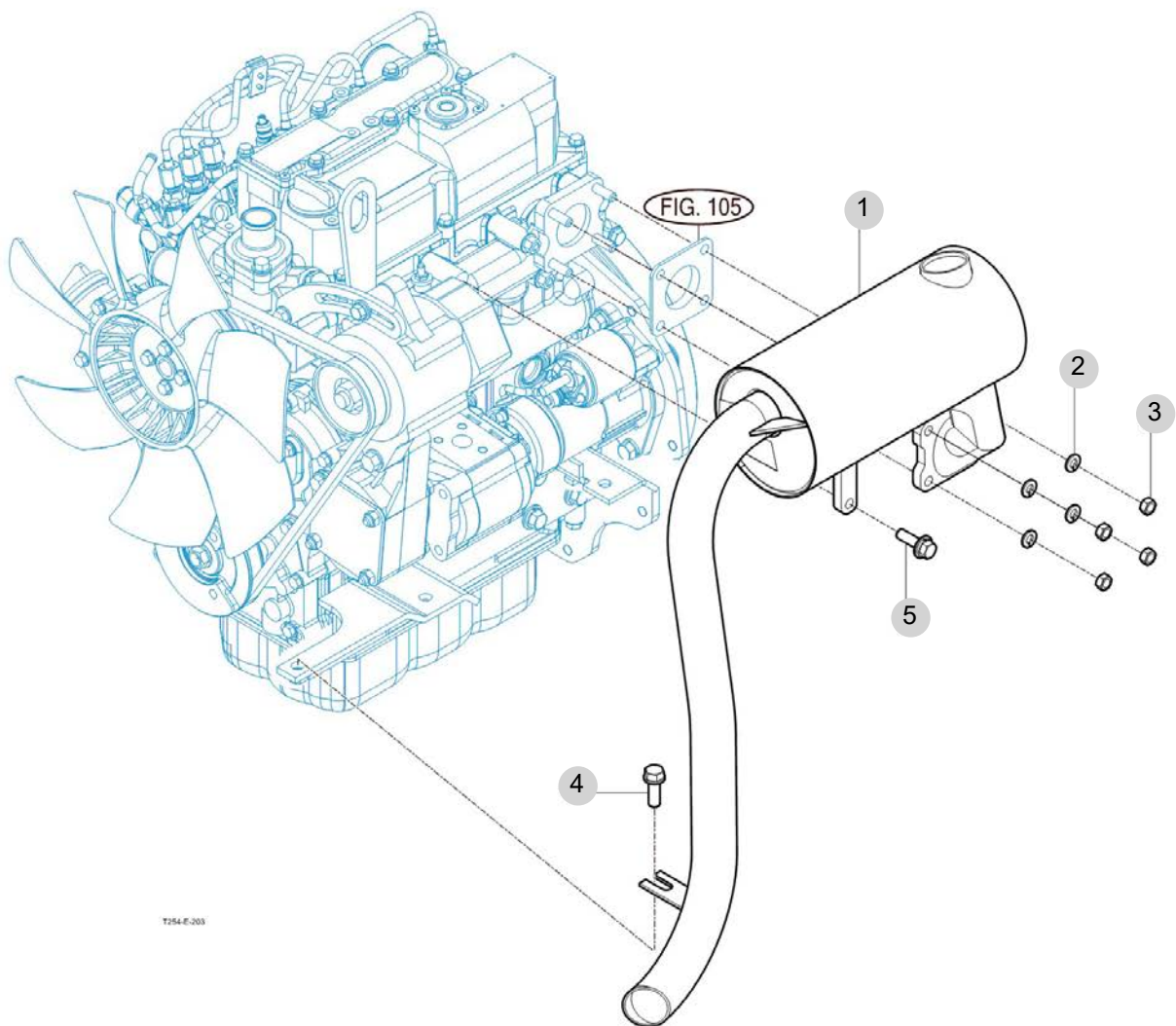
FIG 203

T255NHEU

MUFFLER

년/월
Year/Month

2022-12



NOTE

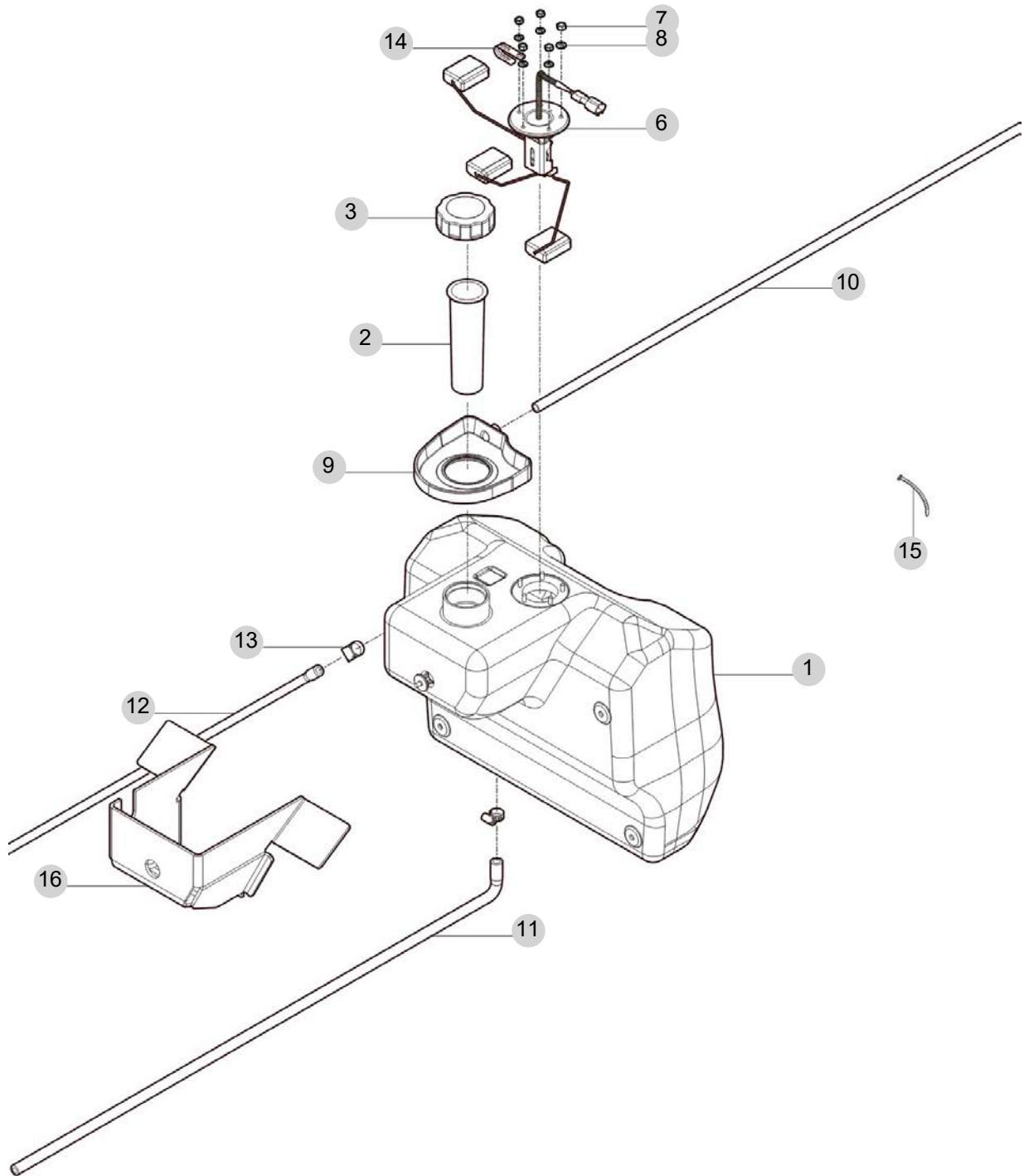
FIG 204

T255NHEU

FUEL TANK & FUEL LINE

년/월
Year/Month

2022-12



NOTE

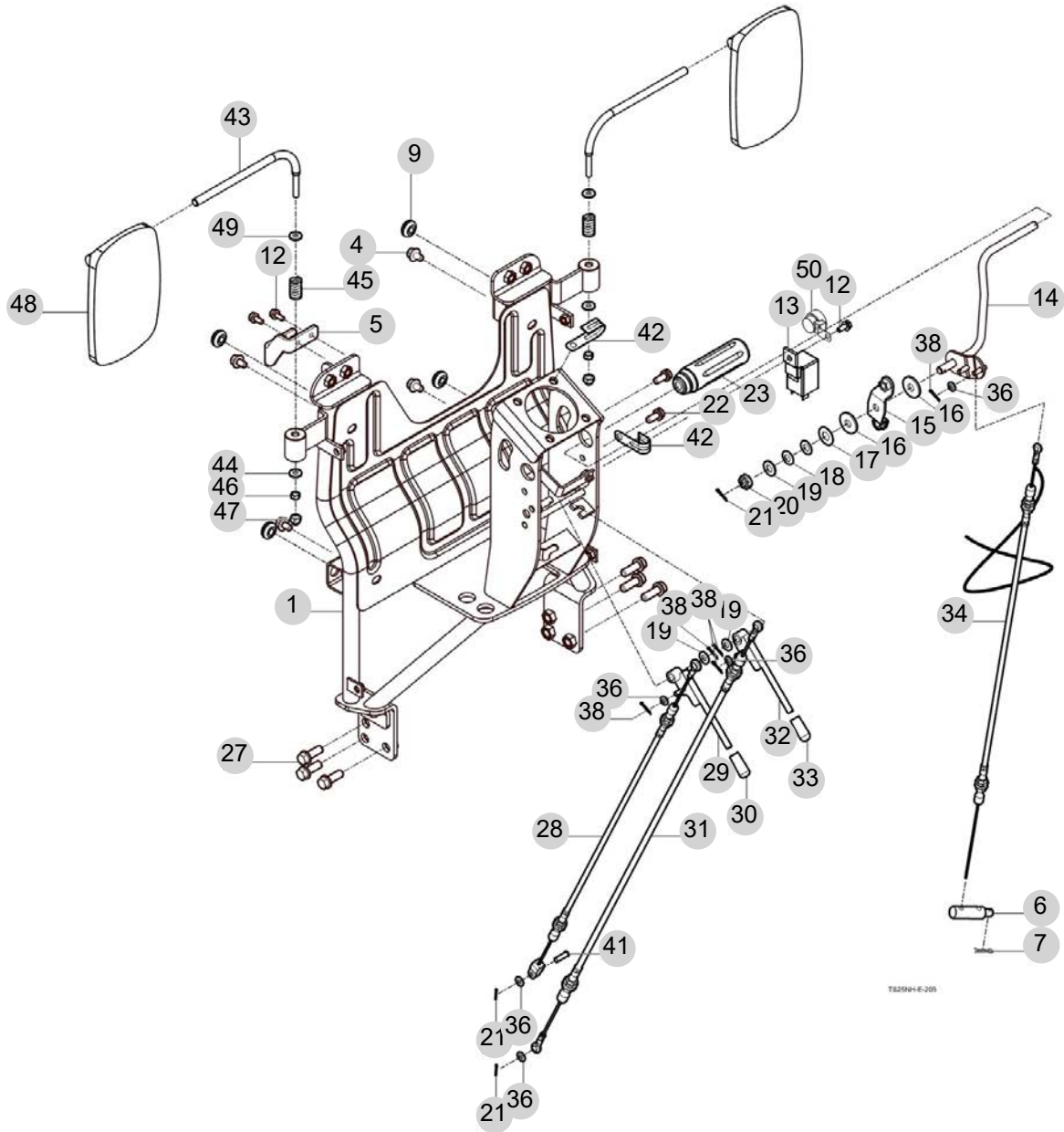
FIG 205

ACCELERATOR

년/월
Year/Month

2022-12

T255NHEU



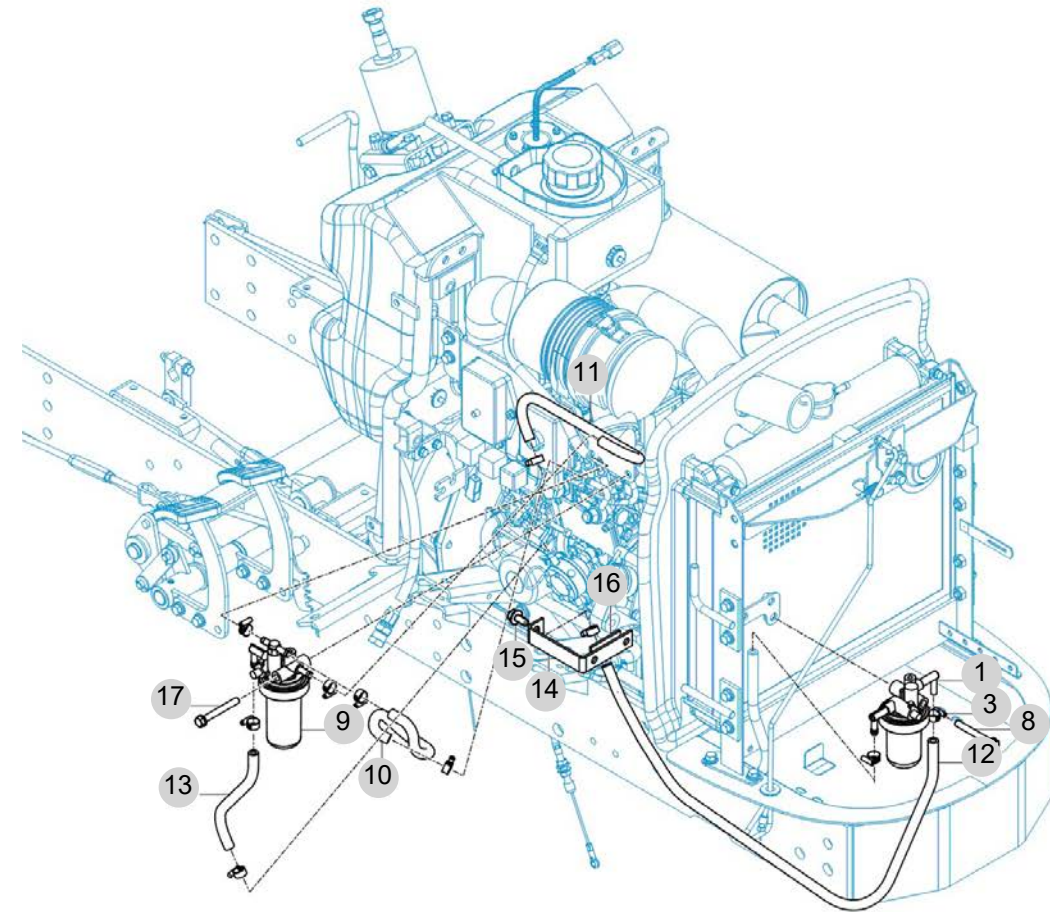
NOTE

FIG 206

FUEL FILTER

년/월
Year/Month

2022-12



NOTE

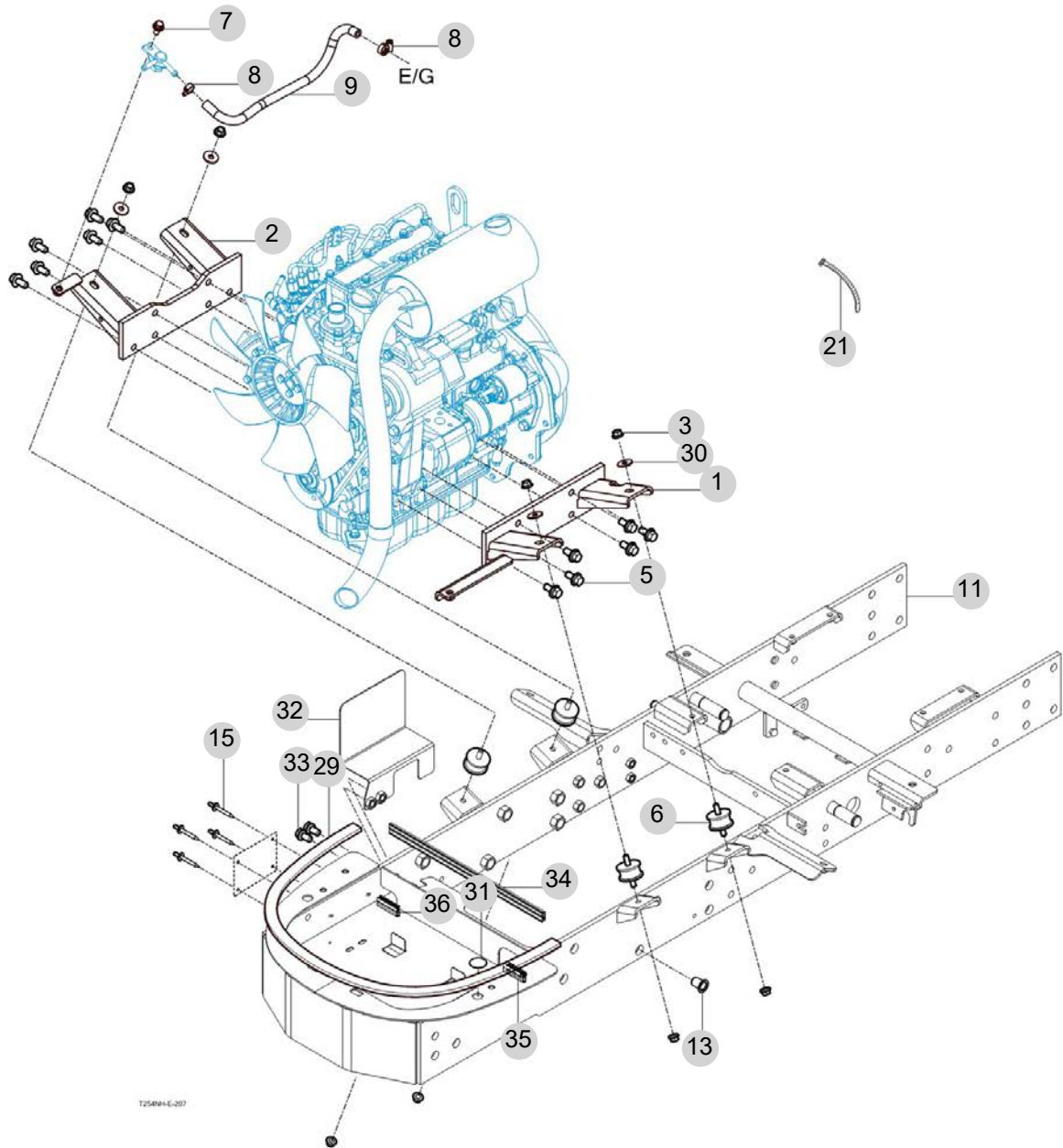
FIG 207

ENGINE MOUNTING

년/월
Year/Month

2022-12

T255NHEU



NOTE

3. 클러치/브레이크/스티어링 PART NO. T3

FIG 301 FLYWHEEL COVER	62
FIG 302 BRAKE	64
FIG 303 BRAKE PEDAL & LINKAGE	66
FIG 304 SPEED CONTROL	68
FIG 305 DASH COVER	71
FIG 306 STEERING VALVE	73
FIG 307 STEERING CYLINDER	75
FIG 308 STEERING WHEEL	77
FIG 309 TIRE	79

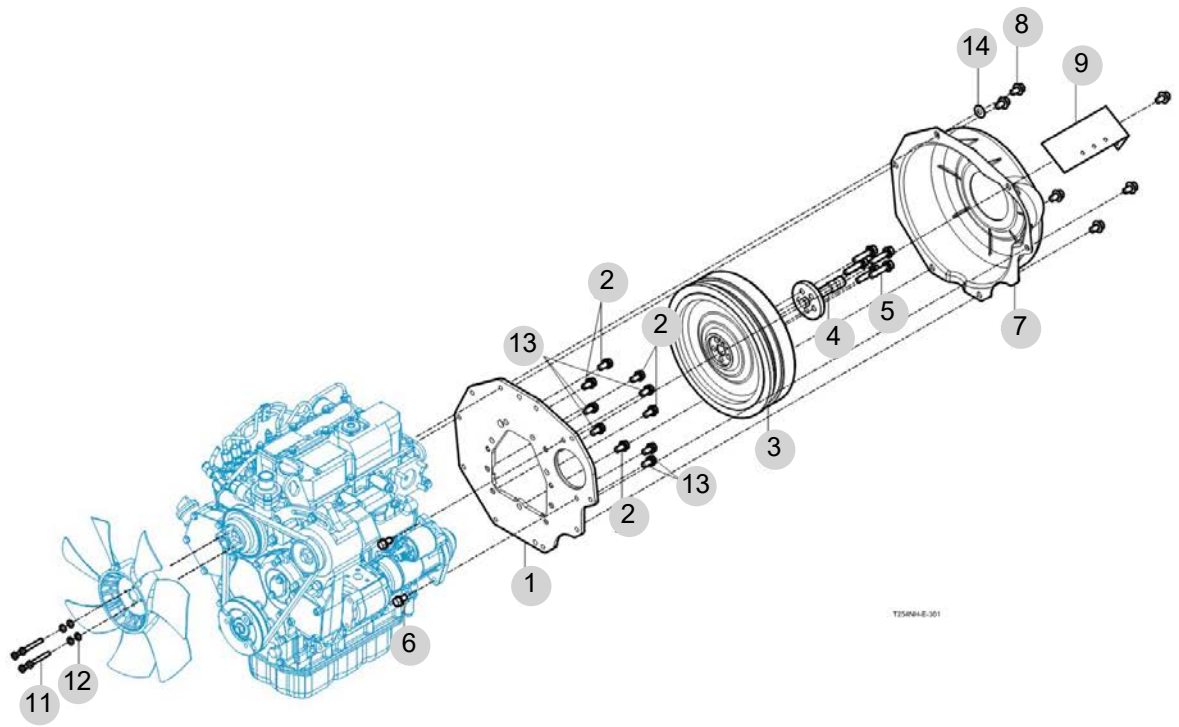
FIG 301

T255NHEU

FLYWHEEL COVER

년/월
Year/Month

2022-12



NOTE

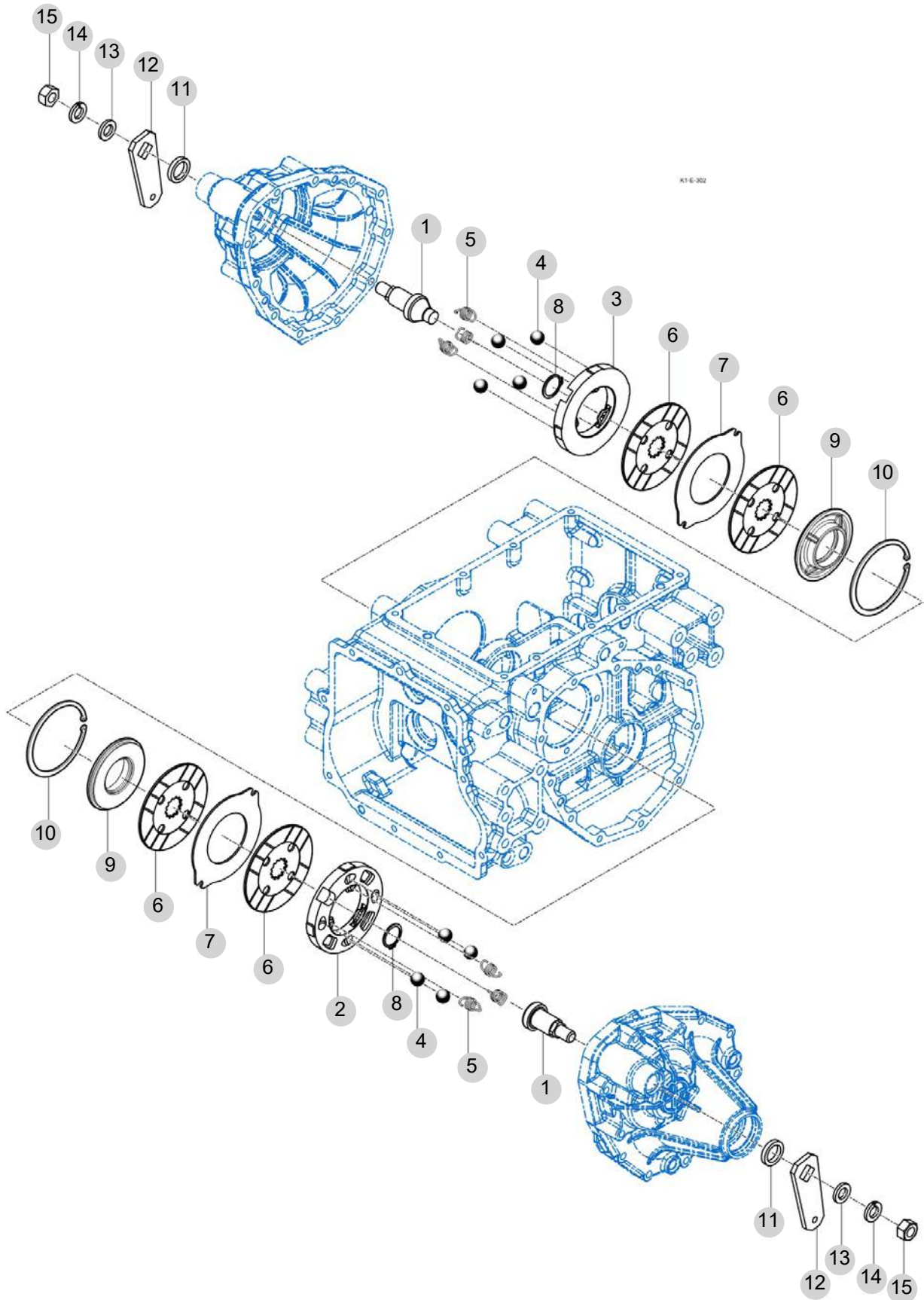
FIG 302

BRAKE

년/월
Year/Month

T255NHEU

2022-12



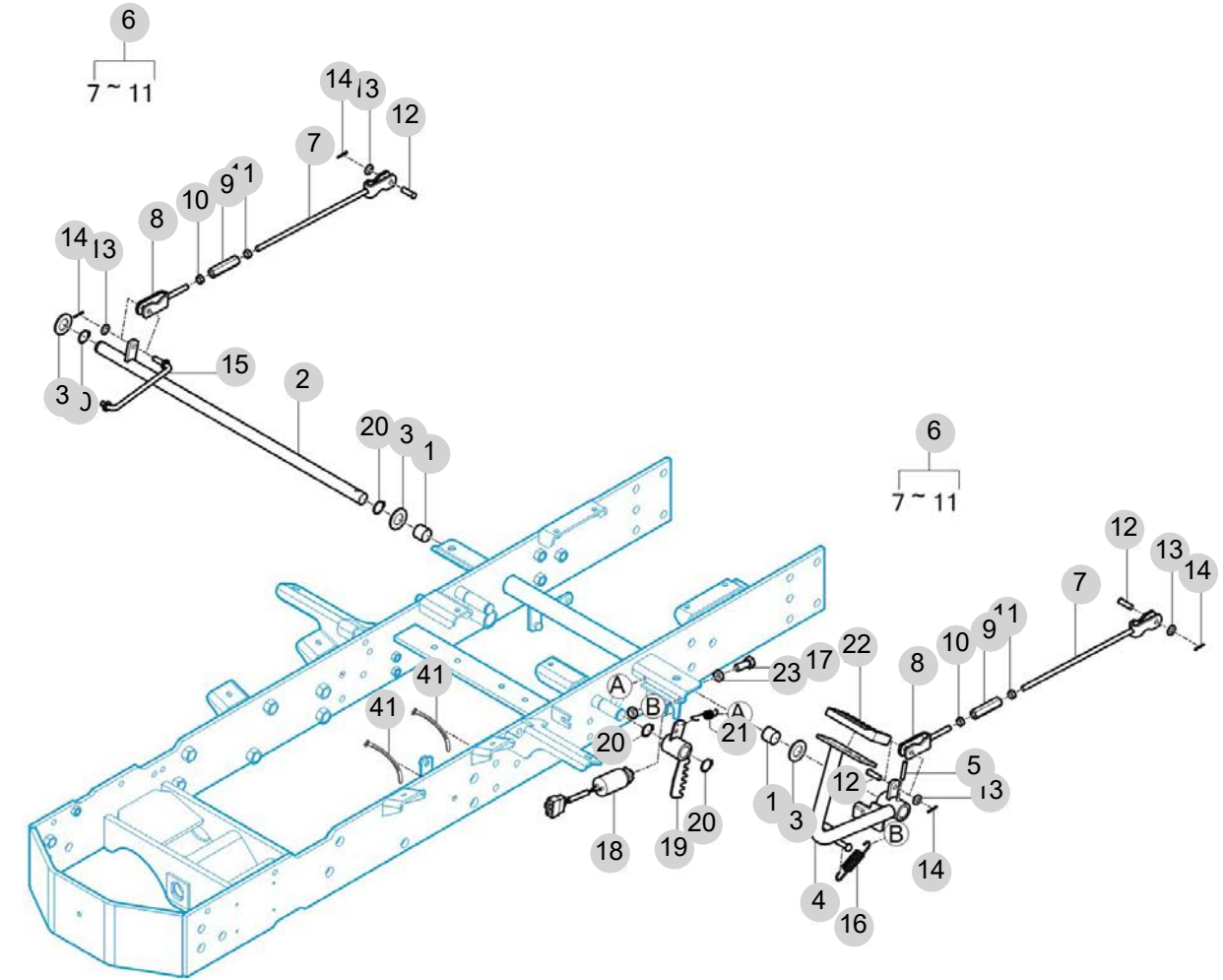
NOTE

FIG 303

BRAKE PEDAL & LINKAGE

년/월
Year/Month

2022-12



EMAX25KQ2NH-E-304

NOTE

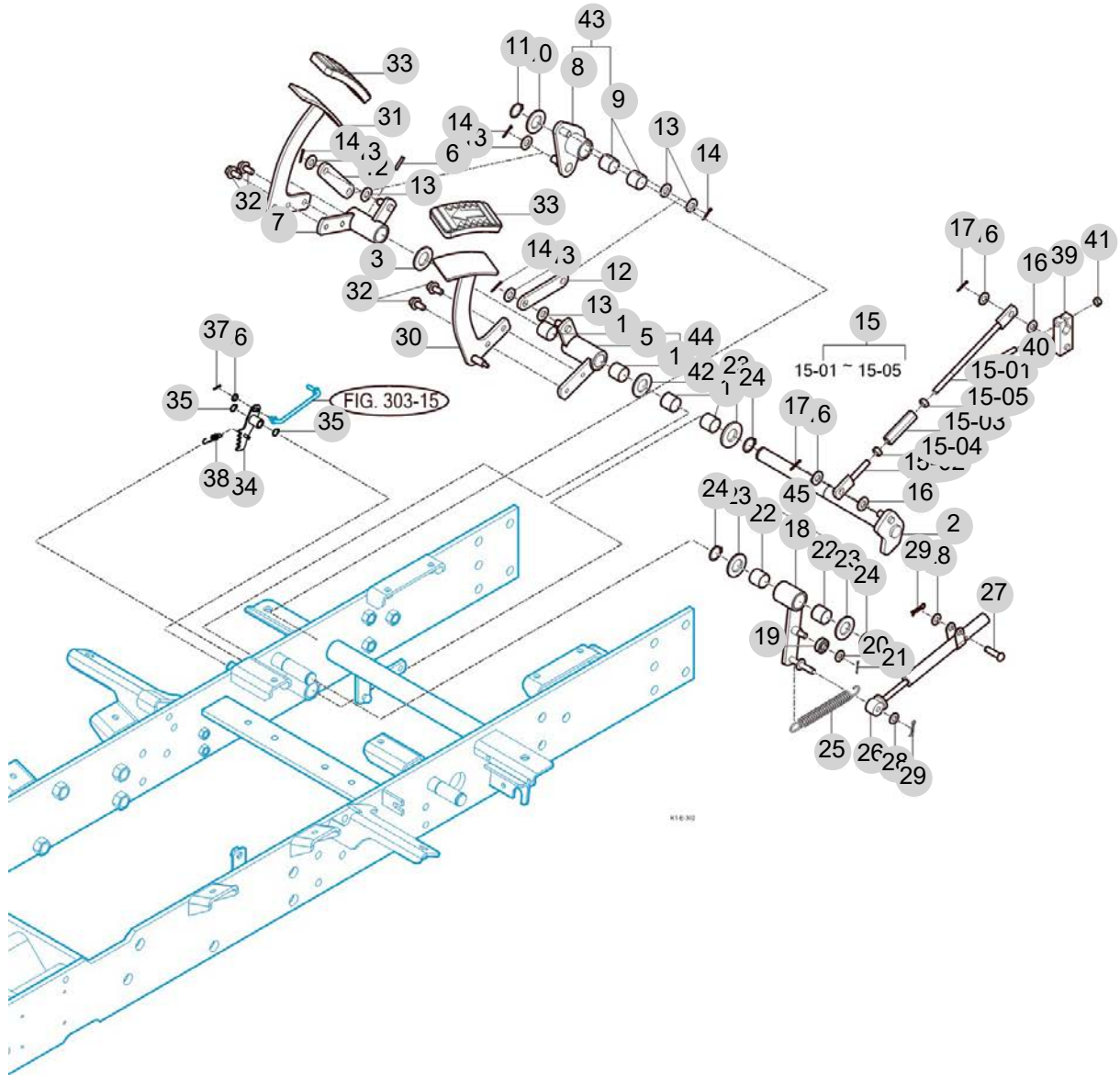
FIG 304

T255NHEU

SPEED CONTROL

년/월
Year/Month

2022-12



NOTE

FIG 304		SPEED CONTROL					년/월 Year/Month		
							2022-12		
T255NHEU		KEY NO	PART NO	DESCRIPTION	SPEC	QTY	REPAIR	EFFECTIVE DATE	REMARKS
304	1	11102320030	부시(20X23X20)			4			
304	2	11102323102	페달 샤프트 COMP			1			
304	3	V4111600200	평와셔	M20		1			
304	5	11102323201	전진 암 COMP			1			
304	6	V5801406032	스프링핀			1	C		
304	7	11102323301	후진 암 COMP			1			
304	8	11102323401	연결암 COMP			1			
304	9	11102320030	부시(20X23X20)			2			
304	10	V4111600200	평와셔	M20		1			
304	11	V7041400200	C형멈춤링(축용)	20		1			
304	12	11102320010	링크			2			
304	13	V4111600100	평와셔	M10		7			
304	14	V5001920015	분할핀	2.0X15		4			
304	15	11102325001	컨트롤 로드 ASSY			1			
304	15-01	11102325101	로드 COMP(LH)			1			
304	15-02	11102325201	로드 COMP(RH)			1			
304	15-03	16601220020	터언버클(M8,60)			1			
304	15-04	V3042600080	소형육각너트보통2종	M8		1			
304	15-05	15601320073	육각너트(SM,LH,M8)	M8/LH		1			
304	16	V4111600100	평와셔	M10		4			
304	17	V5001920015	분할핀	2.0X15		2			
304	18	11102324101	암 COMP(캠)			1			
304	19	14722310060	볼베어링(608DD)	608DD		1			
304	20	V4111600080	평와셔			1			
304	21	V5001920015	분할핀	2.0X15		1			
304	22	11102320030	부시(20X23X20)			2			
304	23	V4111600200	평와셔	M20		3			
304	24	V7041400200	C형멈춤링(축용)	20		3			
304	25	14722310033	스프링(리턴)			1			
304	26	11102321000	오일 댐퍼(110)			1			
304	27	14043120060	요오크핀 (A)			1			
304	28	V4111600080	평와셔			2			
304	29	V5601600008	스냅핀			2			
304	30	11102322400GB	전진 페달 COMP			1			
304	31	11102322500GB	후진 페달 COMP			1			
304	32	V2183608020	소형육각볼트보통(SP)	M8X20		4			
304	33	14722312730	패드			2			
304	34	11102326201	크루즈 래칫 COMP			1			
304	35	V7041400150	C형멈춤링(축용)			2			
304	36	V4111600080	평와셔			1			
304	37	V5001920015	분할핀	2.0X15		1			
304	38	11102320020	스프링(66)			1			
304	38	14143120020	텐션스프링 (53)			1			
304	39	11102322100	홀더 COMP			1			
304	40	V2173608045	소형육각볼트보통(S)	M8X45		1			
NOTE									

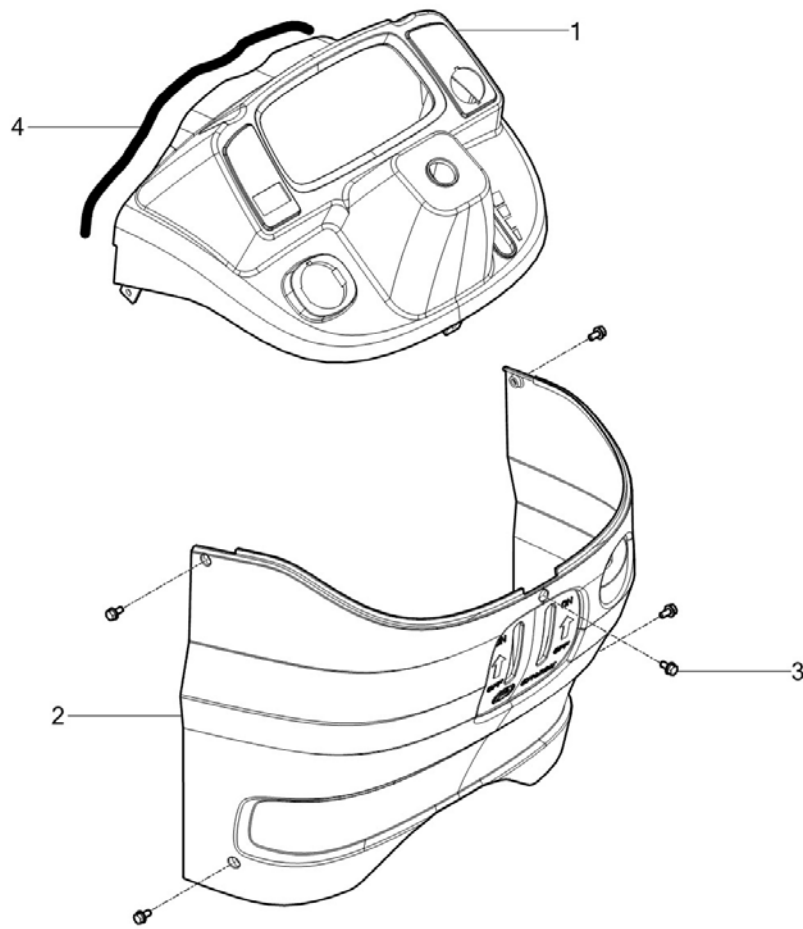
FIG 305

T255NHEU

DASH COVER

년/월
Year/Month

2022-12



NOTE

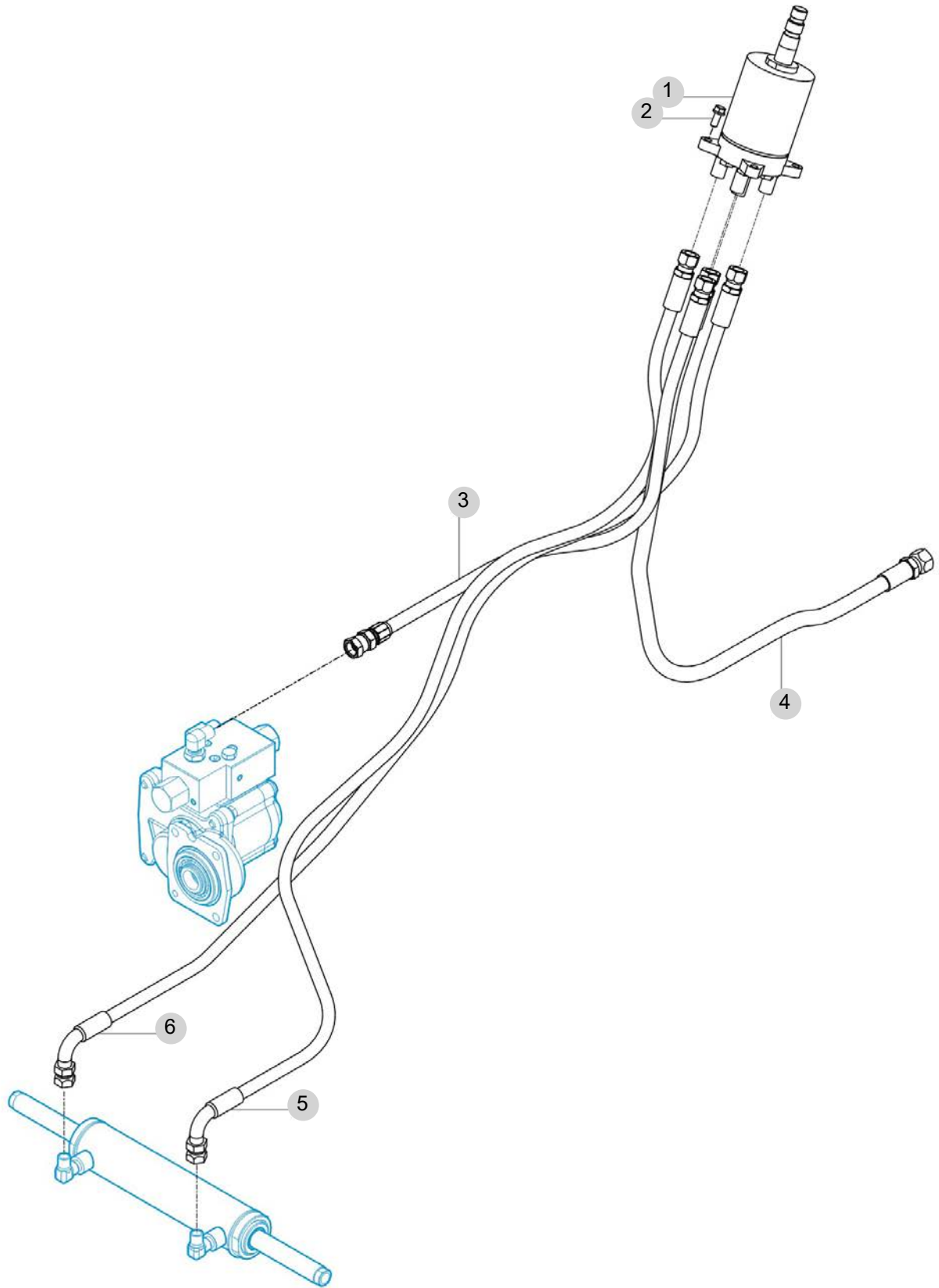
FIG 306

T255NHEU

STEERING VALVE

년/월
Year/Month

2022-12



NOTE

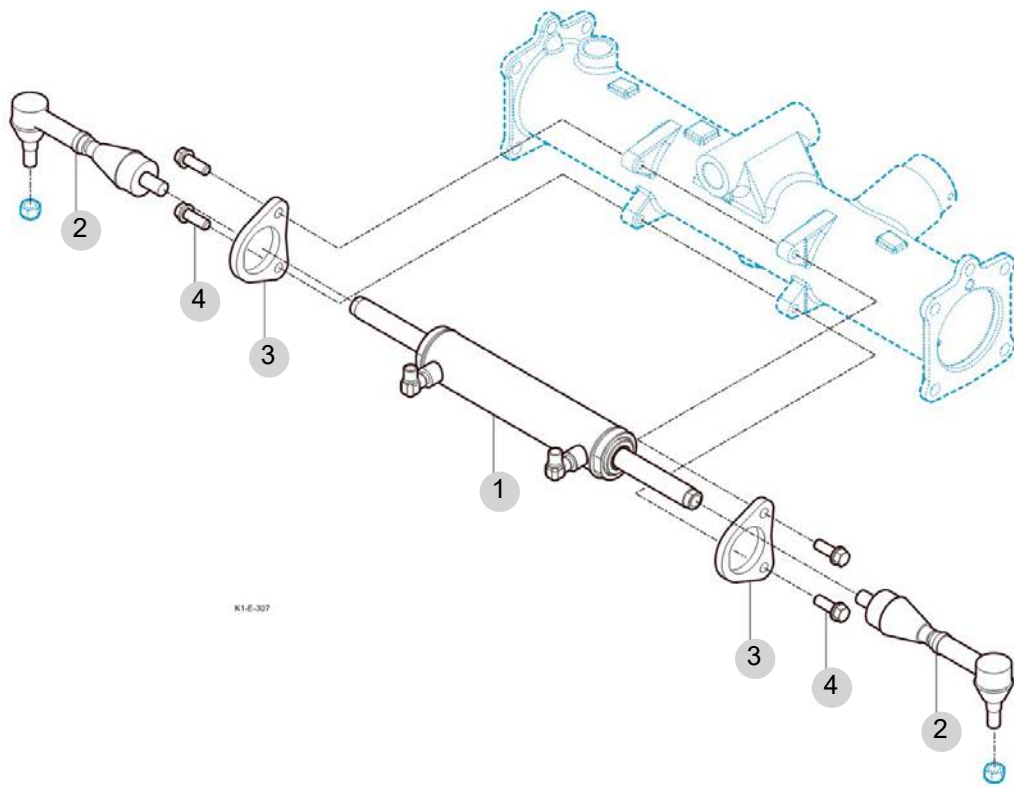
FIG 307

T255NHEU

STEERING CYLINDER

년/월
Year/Month

2022-12



NOTE

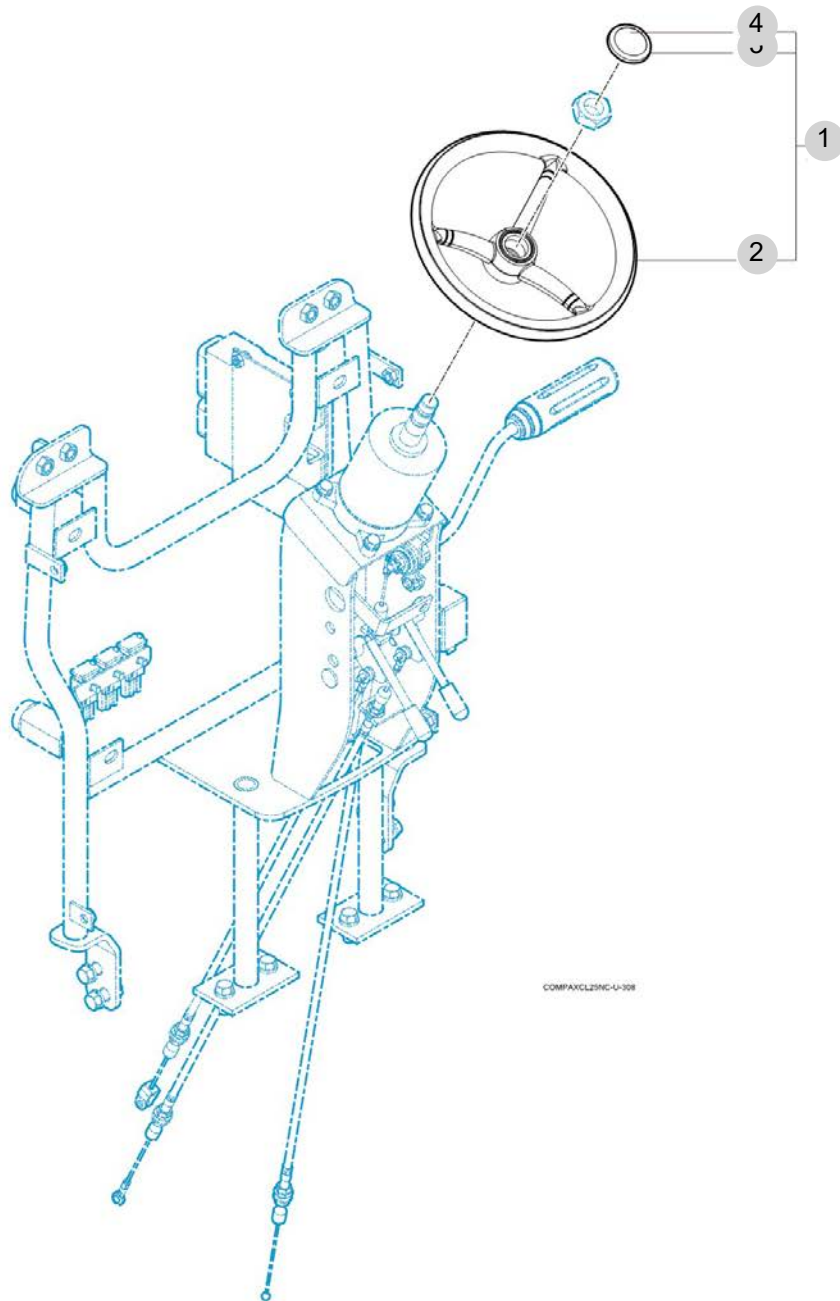
FIG 308

T255NHEU

STEERING WHEEL

년/월
Year/Month

2022-12



COMPAXCLZINC-U-308

NOTE

FIG 308 T255NHEU		STEERING WHEEL						년/월 Year/Month
								2022-12
KEY NO	PART NO	DESCRIPTION	SPEC	QTY	REPAIR	EFFECTIVE DATE	REMARKS	
308	1	14674012001	스티어링 휠 ASSY			1		
308	2	14674012100	스티어링 휠			1		
308	3	16994012020	커버(스티어링)			1		
308	4	19027322130	오나먼트			1		
308	4	19027322140	오나먼트			1		
308	4	11817322130	오나먼트			1		
NOTE								

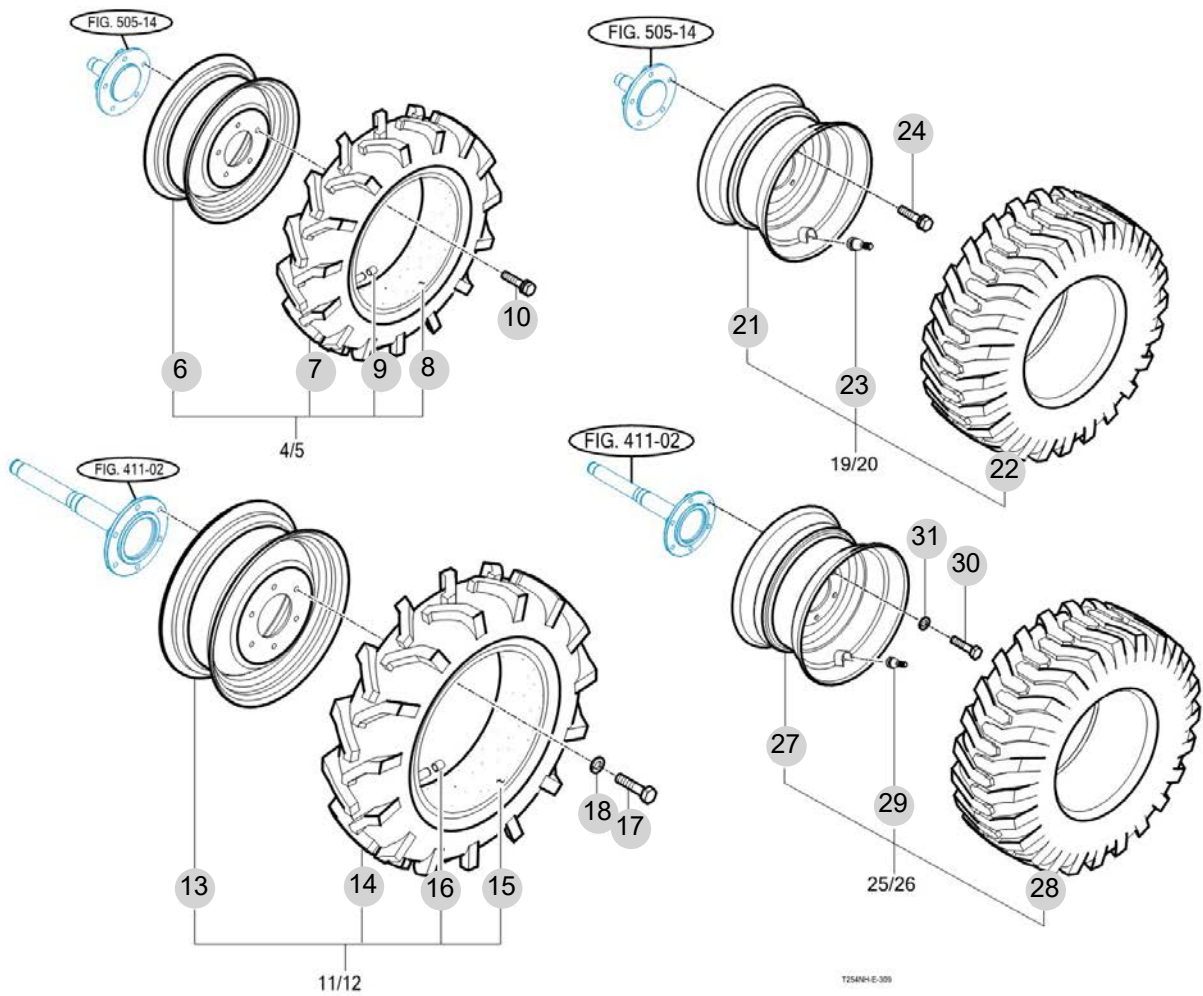
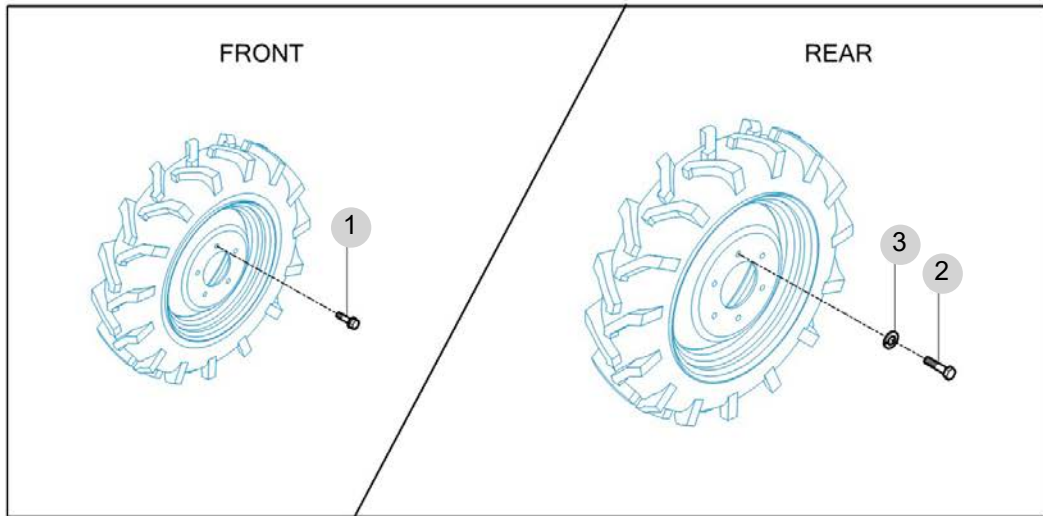
FIG 309

T255NHEU

TIRE

년/월
Year/Month

2022-12



NOTE

4. 트랜스미션 PART NO. T4

FIG 401 INPUT SHAFT	82
FIG 402 HST	84
FIG 403 INPUT GEAR	86
FIG 404 RANGE GEAR	88
FIG 405 4WD DRIVE GEAR	90
FIG 406 P.T.O DRIVE SHAFT	92
FIG 407 P.T.O SHAFT	94
FIG 408 MID P.T.O GEAR	96
FIG 409 DIFF LOCK	98
FIG 410 REAR TRANSMISSION CASE	100
FIG 411 REAR AXLE HOUSINGS	102
FIG 412 RANGE SHIFT LEVER	104
FIG 413 P.T.O CHANGE LEVER	106
FIG 414 4WD CHANGE LEVER	108
FIG 415 TRANSMISSION MOUNTING	110

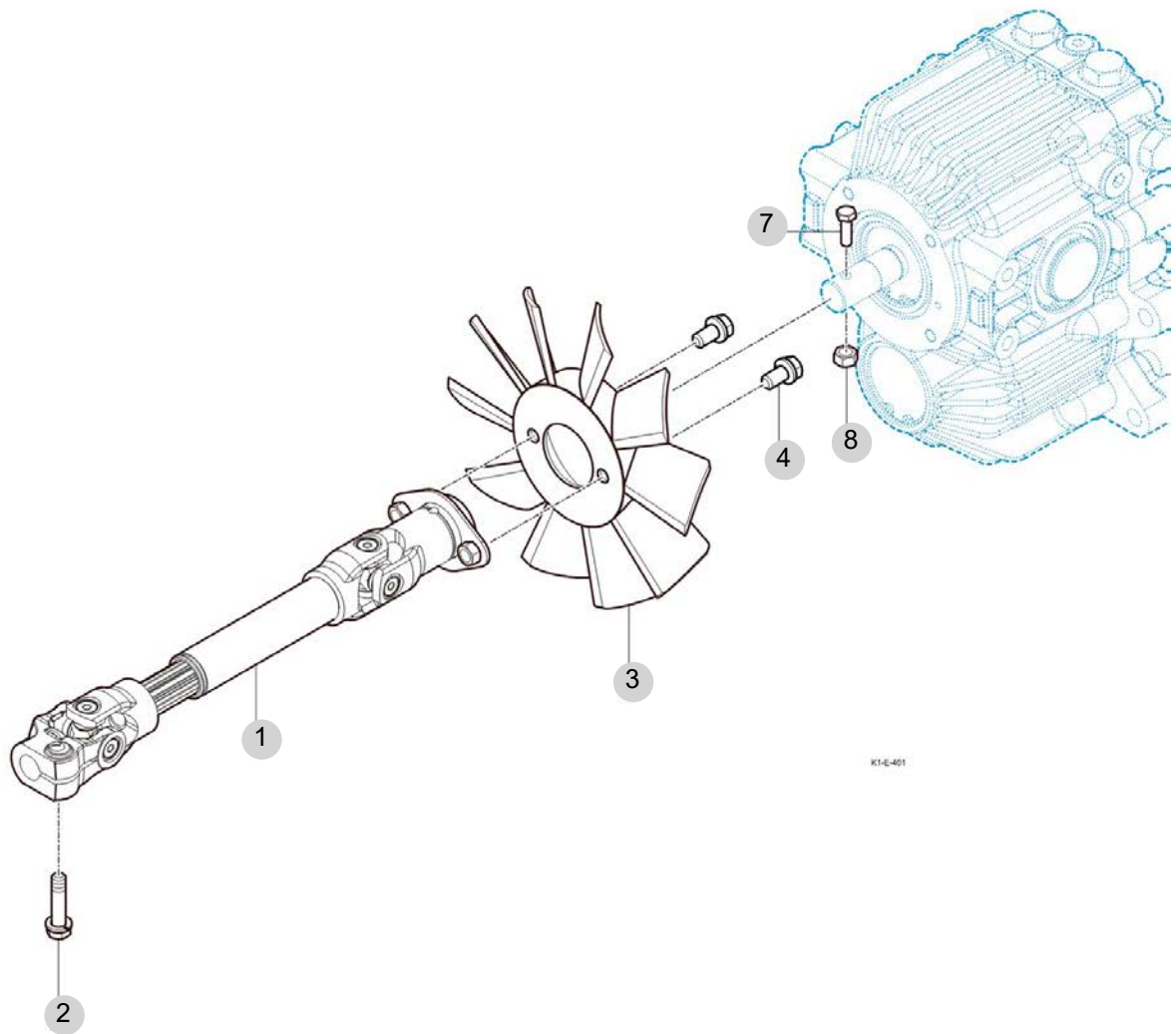
FIG 401

T255NHEU

INPUT SHAFT

년/월
Year/Month

2022-12



NOTE

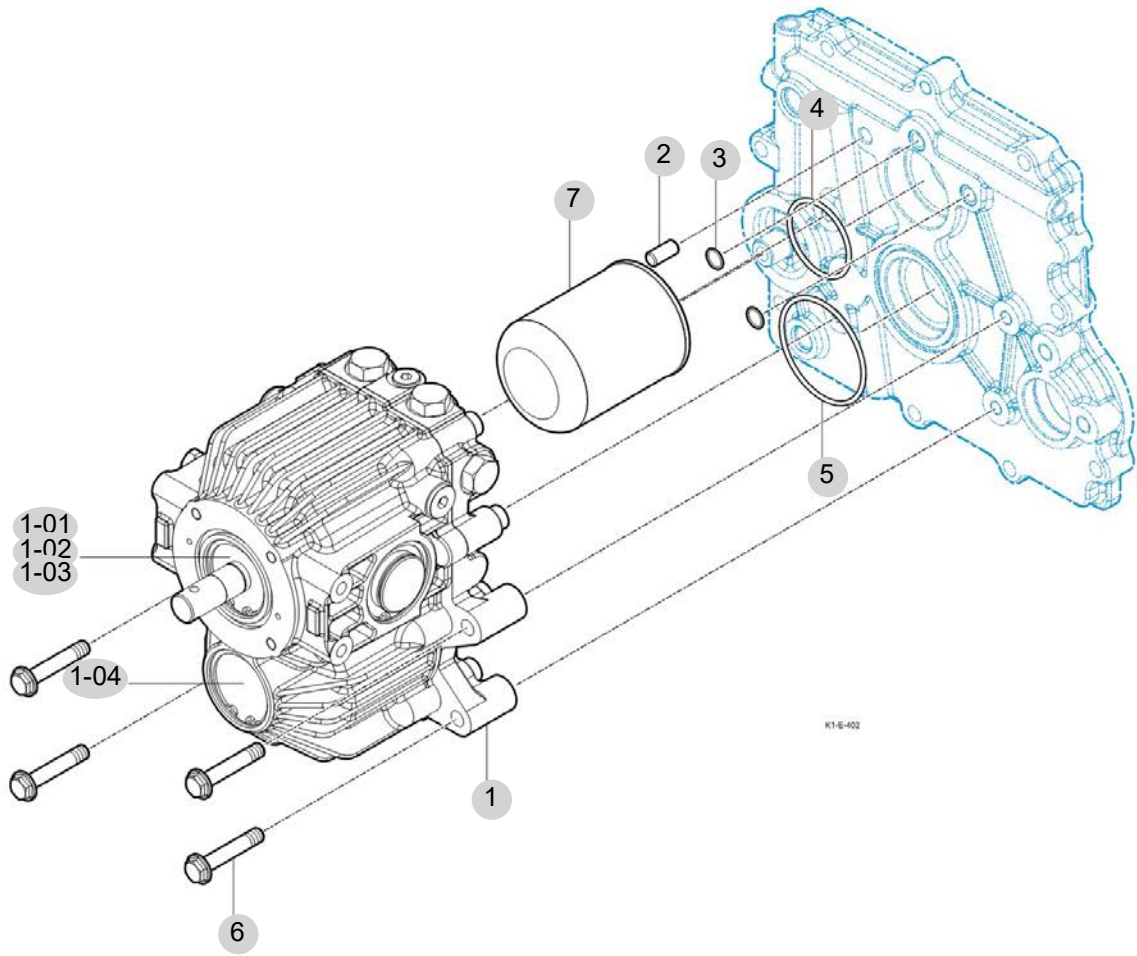
FIG 402

T255NHEU

HST

년/월
Year/Month

2022-12



NOTE

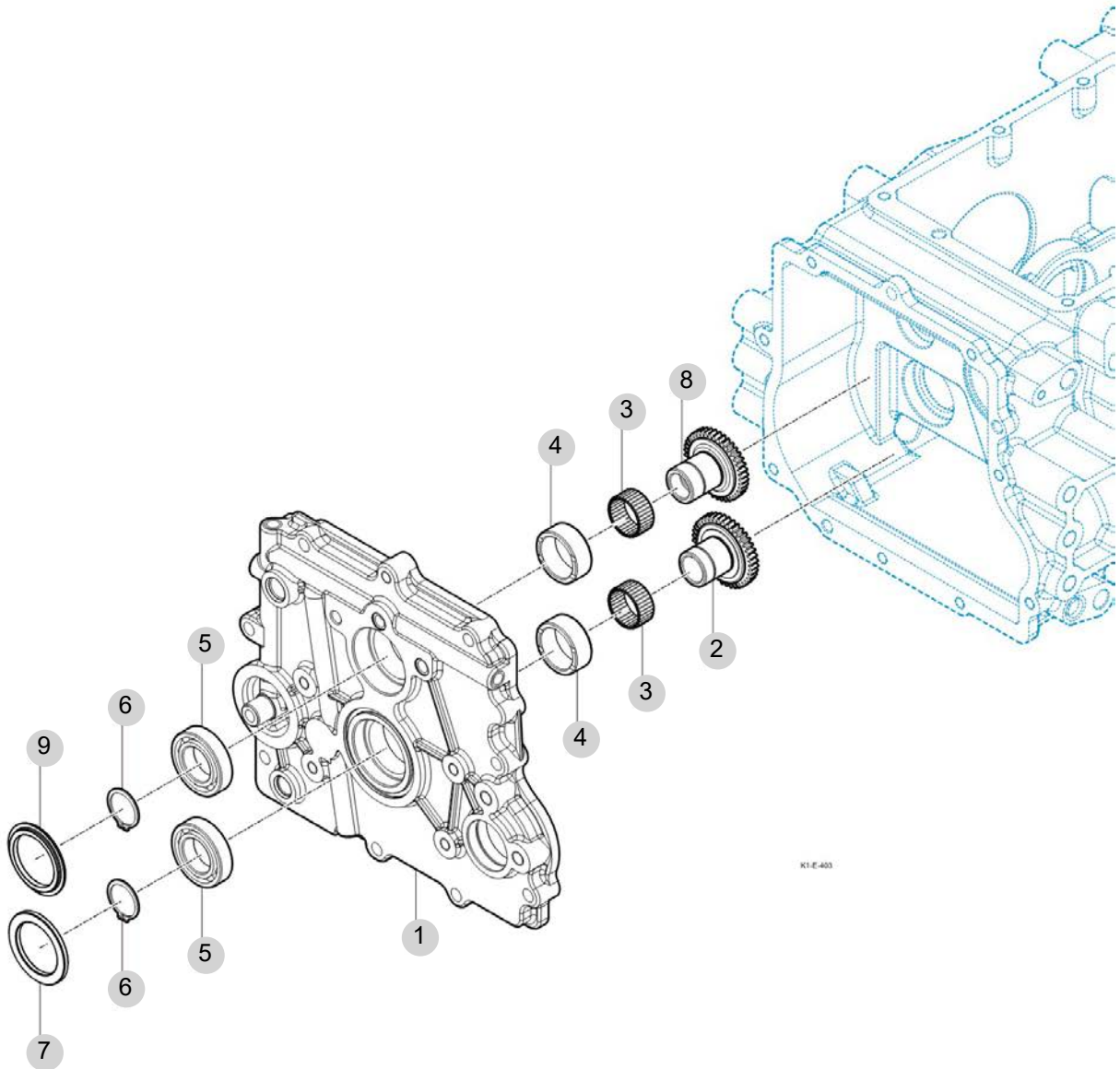
FIG 403

T255NHEU

INPUT GEAR

년/월
Year/Month

2022-12



K1-E-403

NOTE

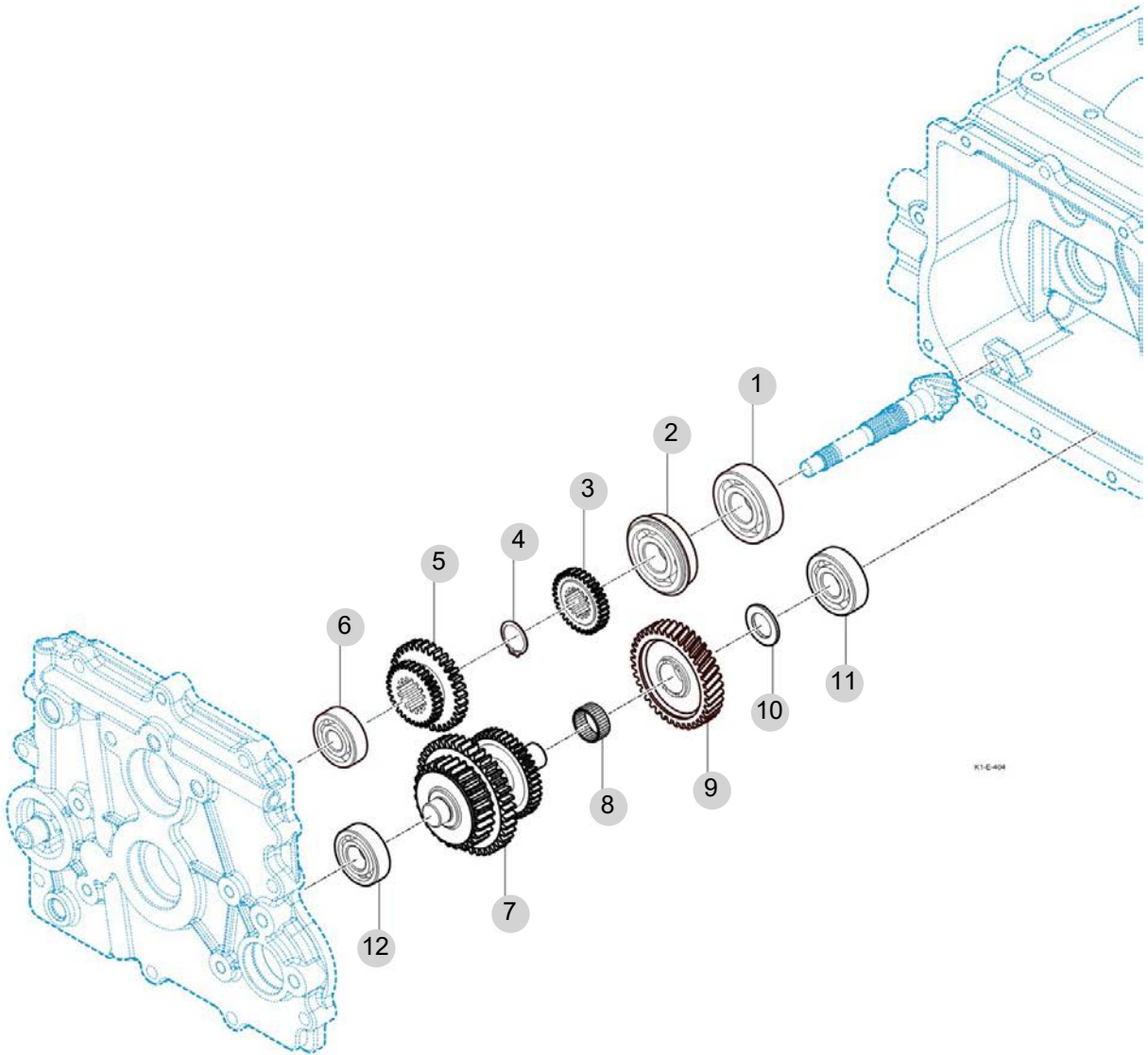
FIG 404

T255NHEU

RANGE GEAR

년/월
Year/Month

2022-12



NOTE

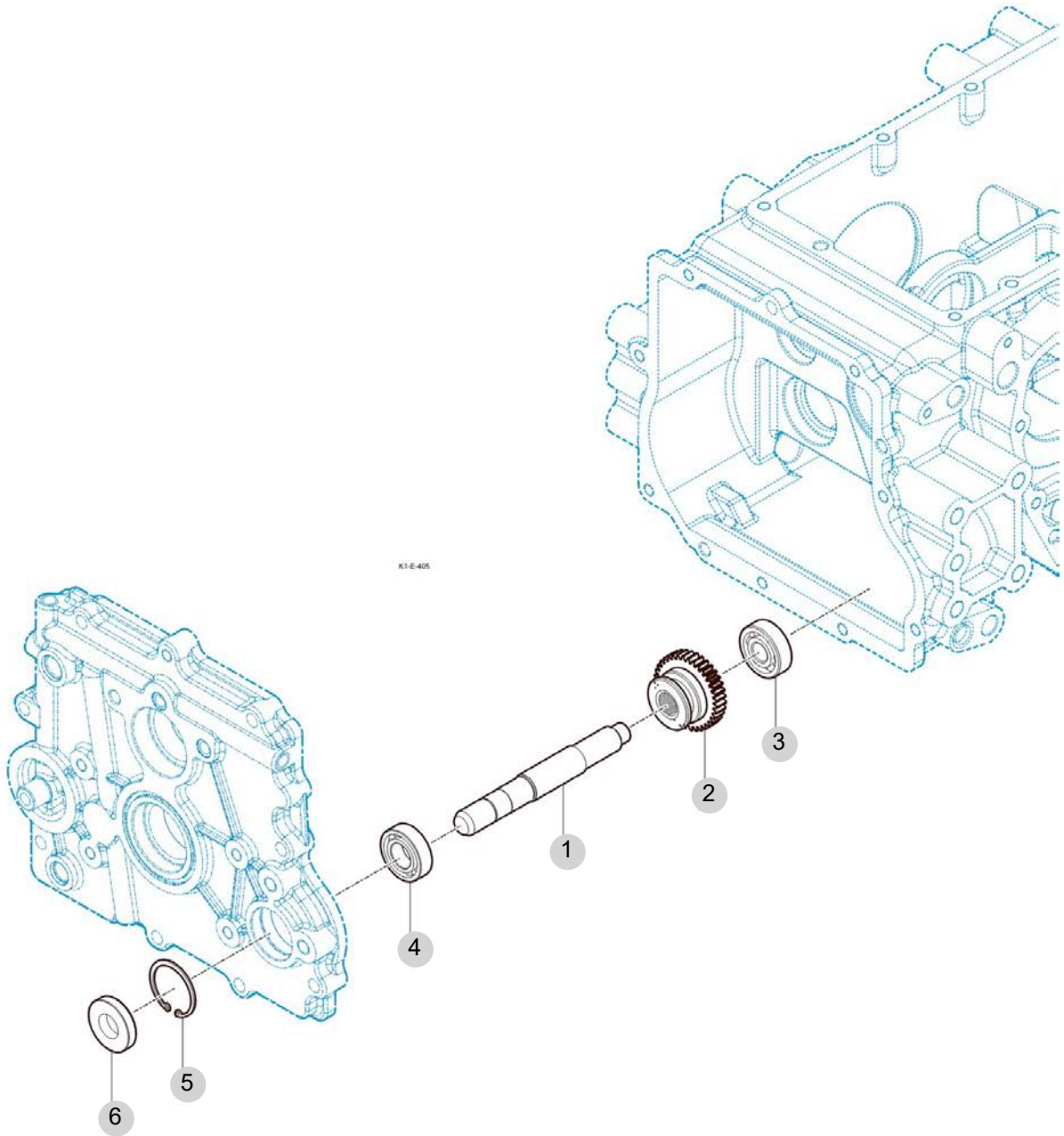
FIG 405

4WD DRIVE GEAR

년/월
Year/Month

T255NHEU

2022-12



NOTE

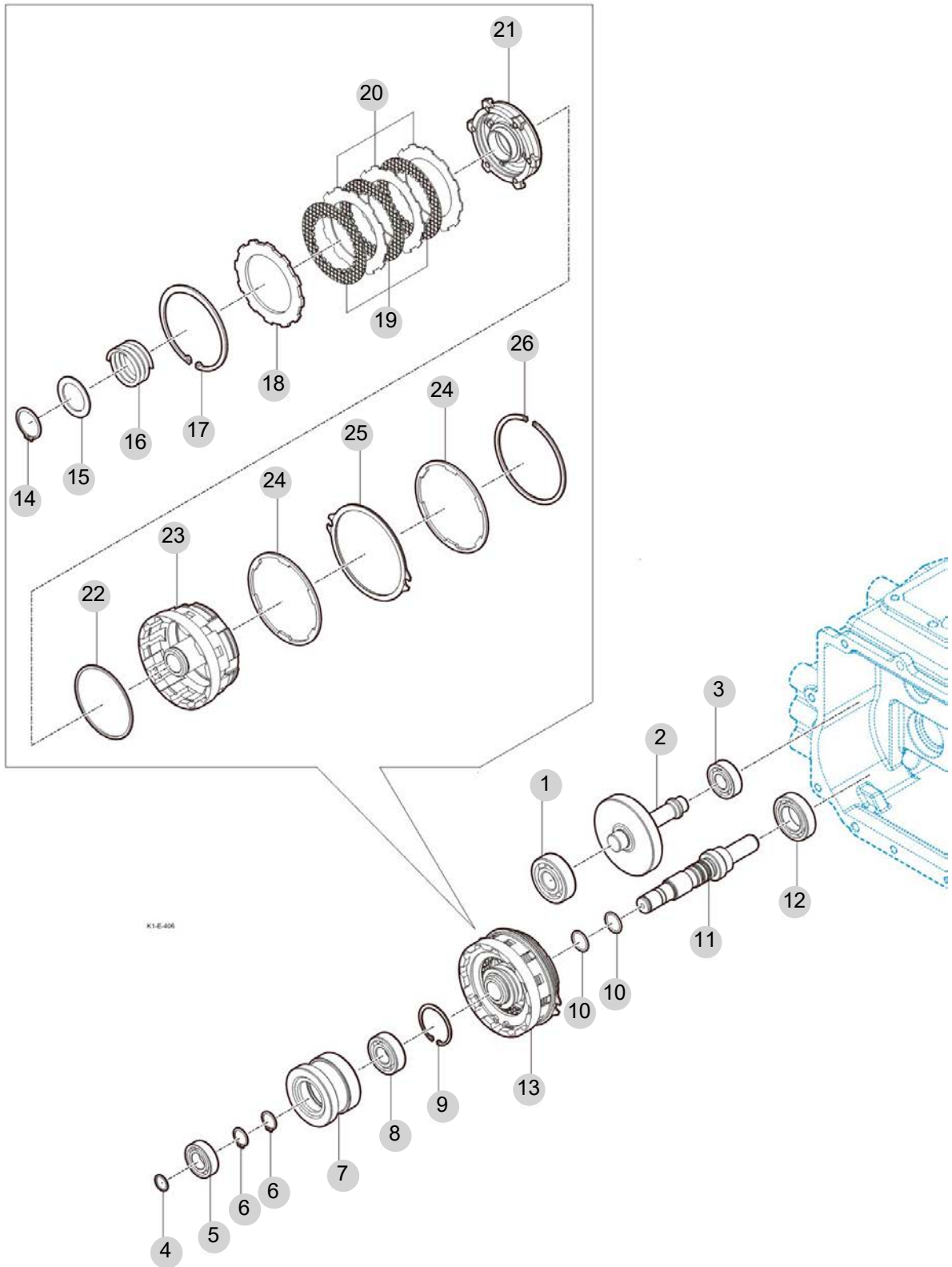
FIG 406

P.T.O DRIVE SHAFT

년/월
Year/Month

T255NHEU

2022-12



K1-E-406

NOTE

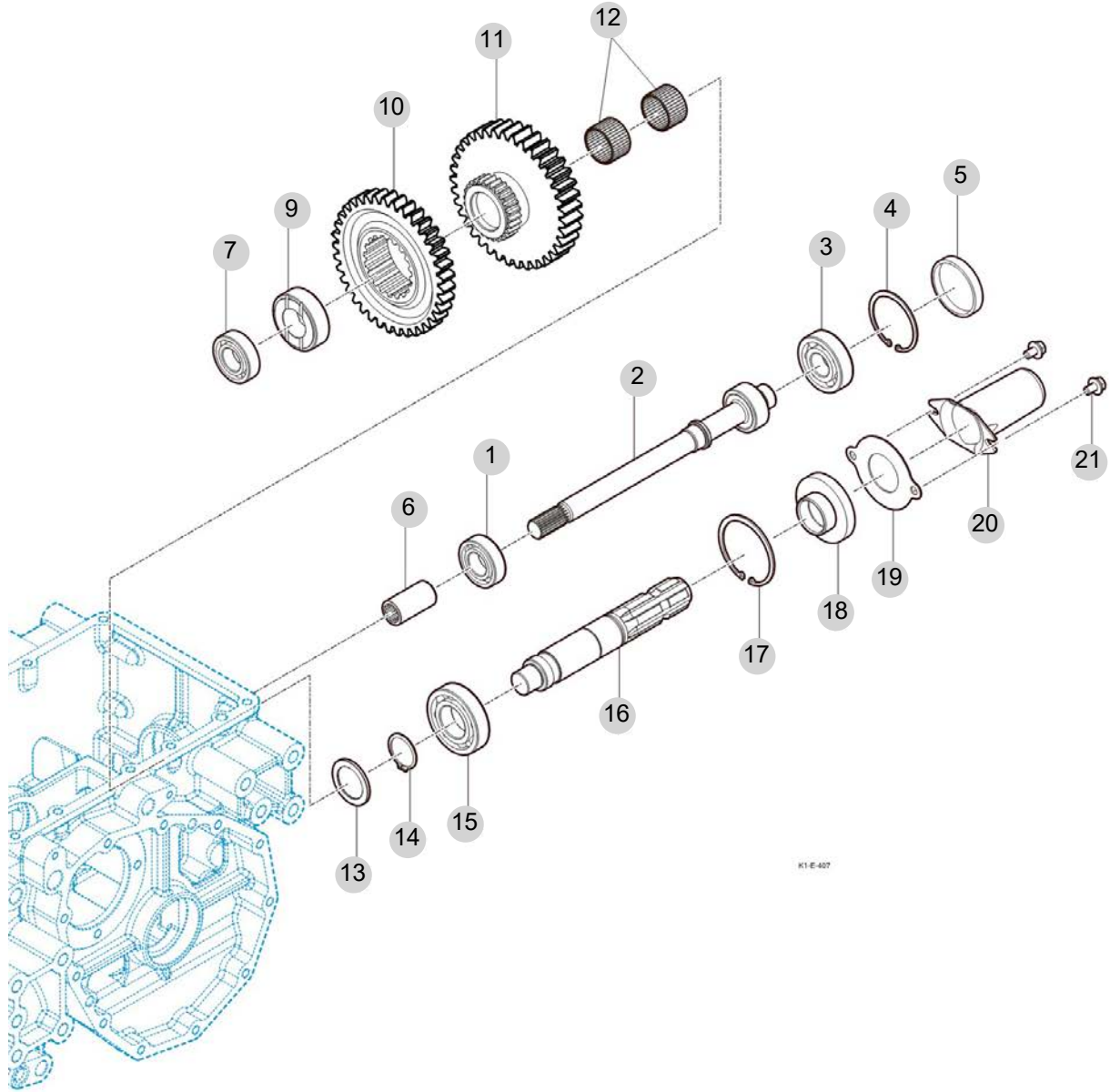
FIG 407

T255NHEU

P.T.O SHAFT

년/월
Year/Month

2022-12



K1-E-407

NOTE

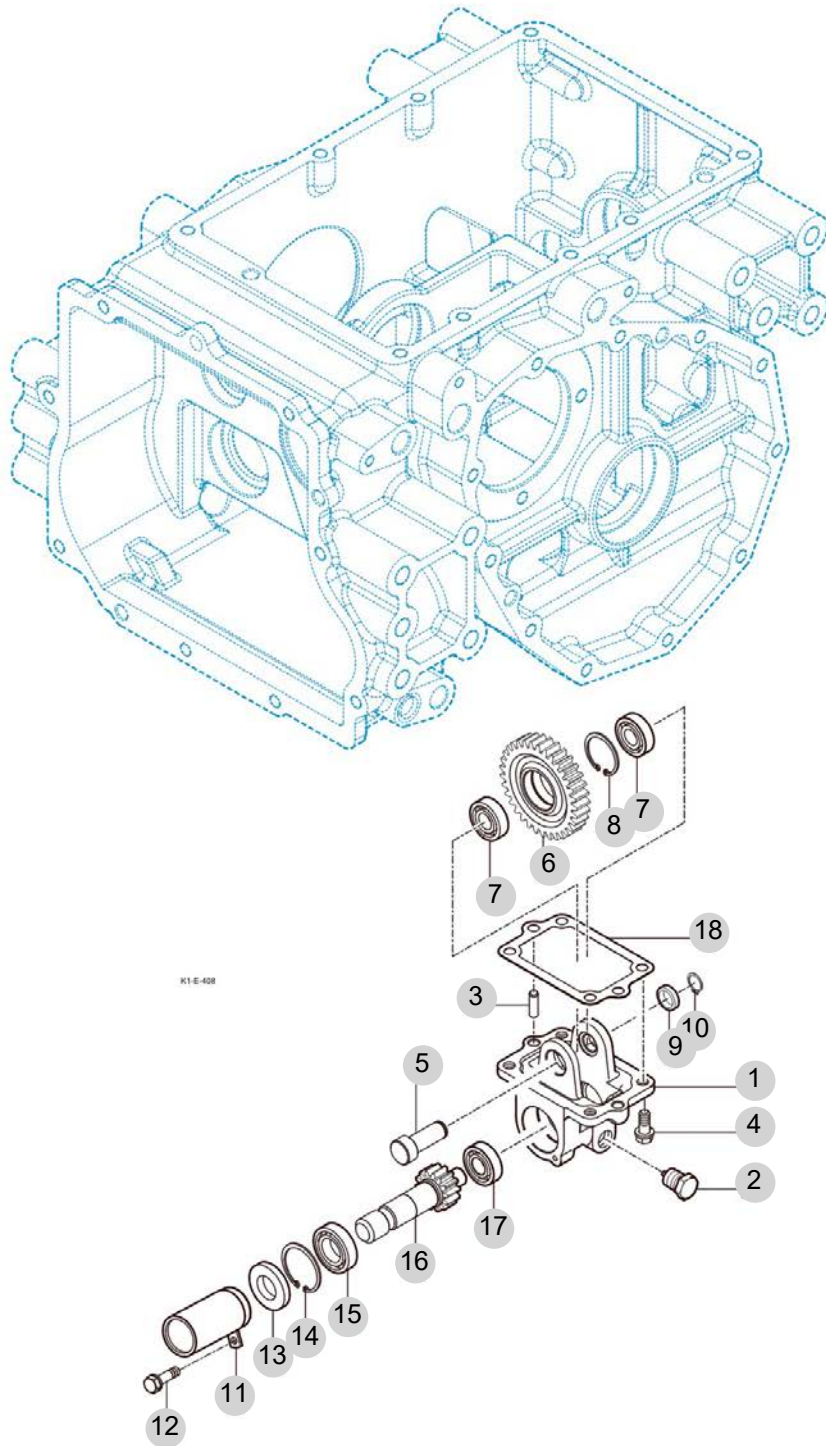
FIG 408

MID P.T.O GEAR

년/월
Year/Month

T255NHEU

2022-12



NOTE

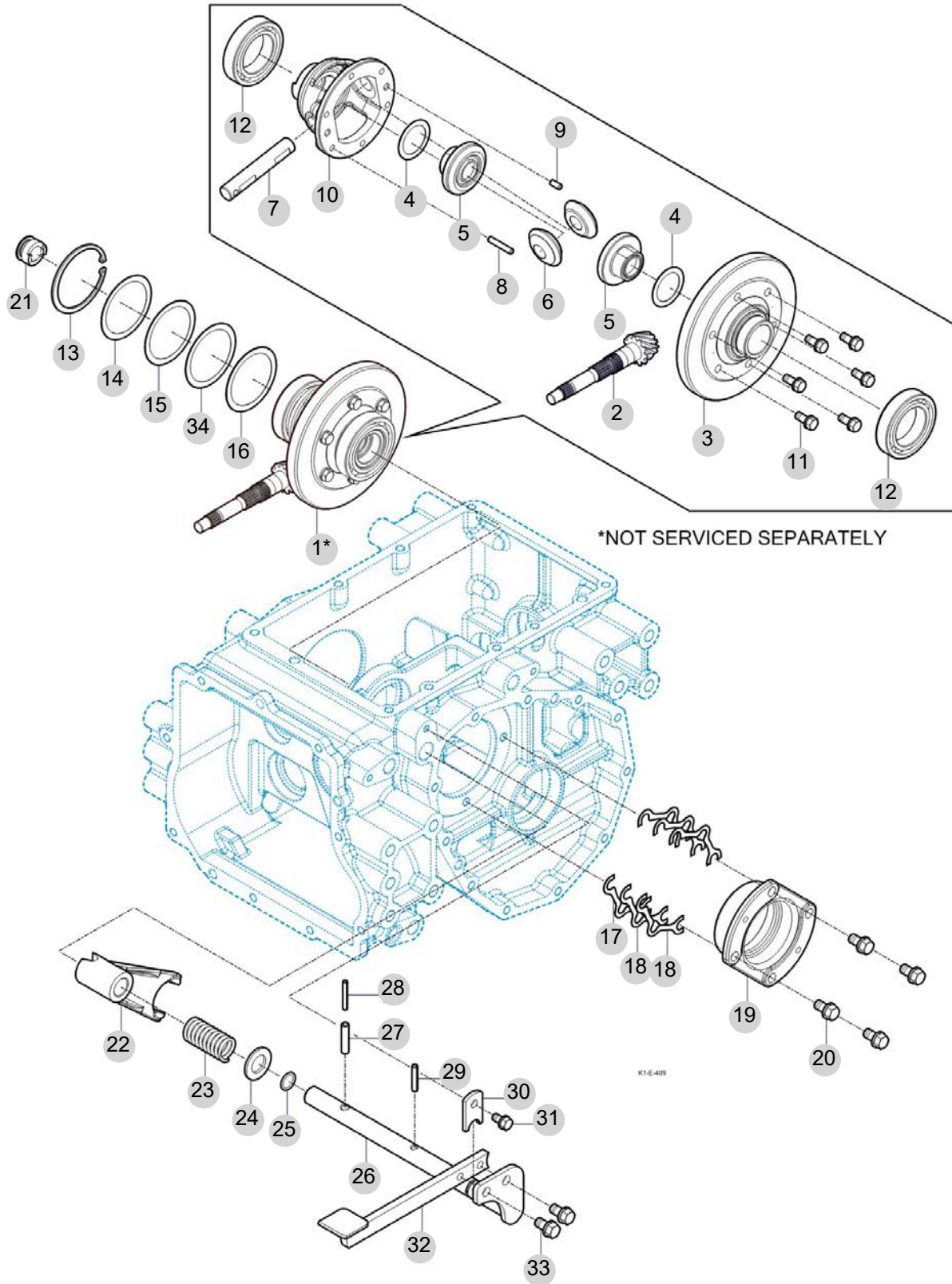
FIG 409

DIFF LOCK

년/월
Year/Month

T255NHEU

2022-12



NOTE

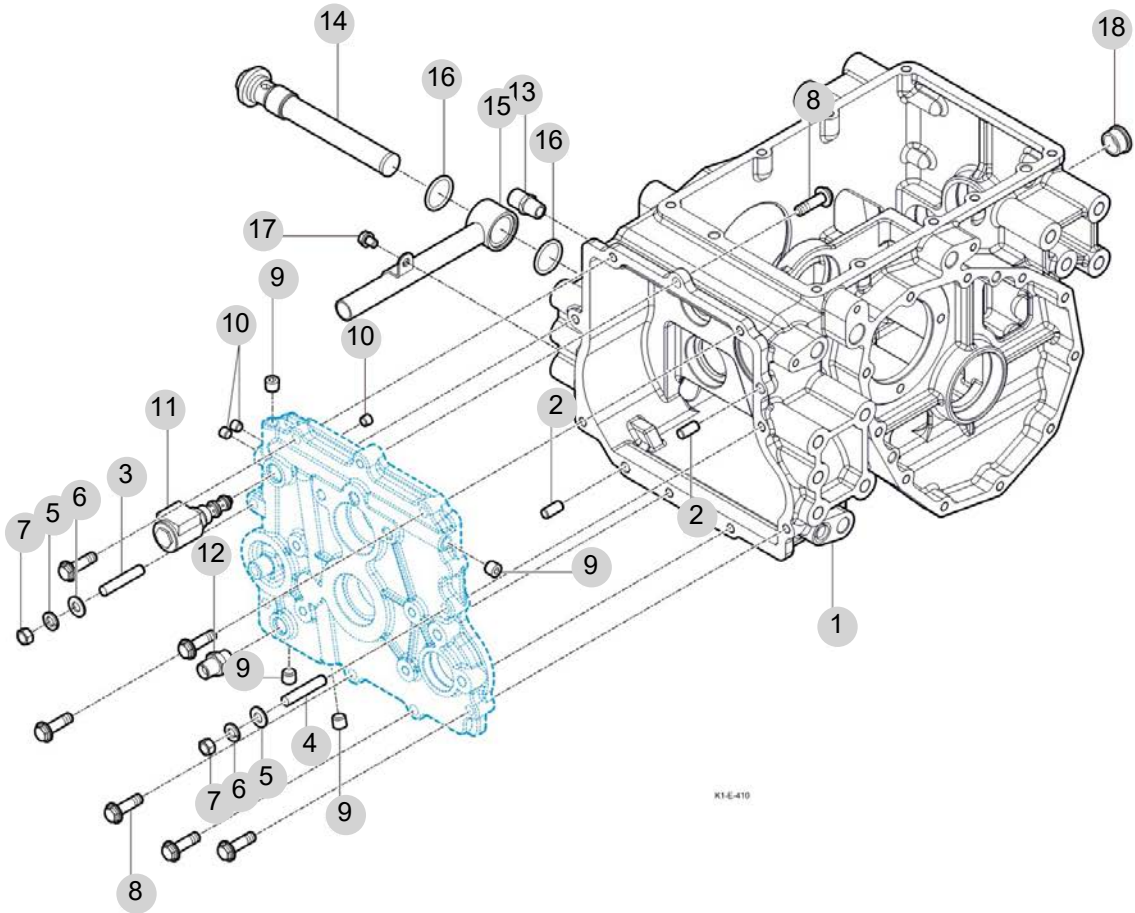
FIG 410

T255NHEU

REAR TRANSMISSION CASE

년/월
Year/Month

2022-12



NOTE

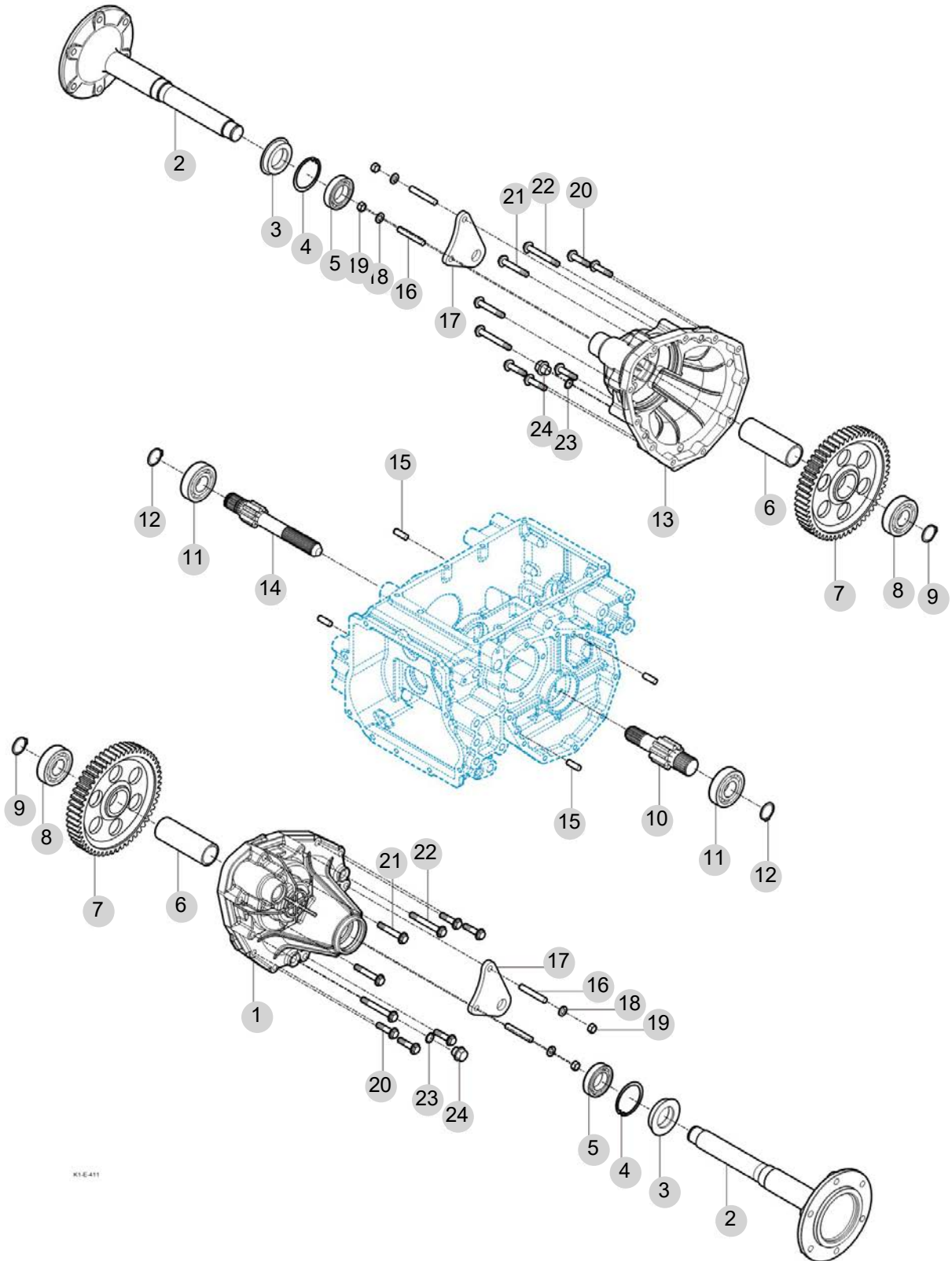
FIG 411

REAR AXLE HOUSINGS

년/월
Year/Month

2022-12

T255NHEU



KS-E411

NOTE

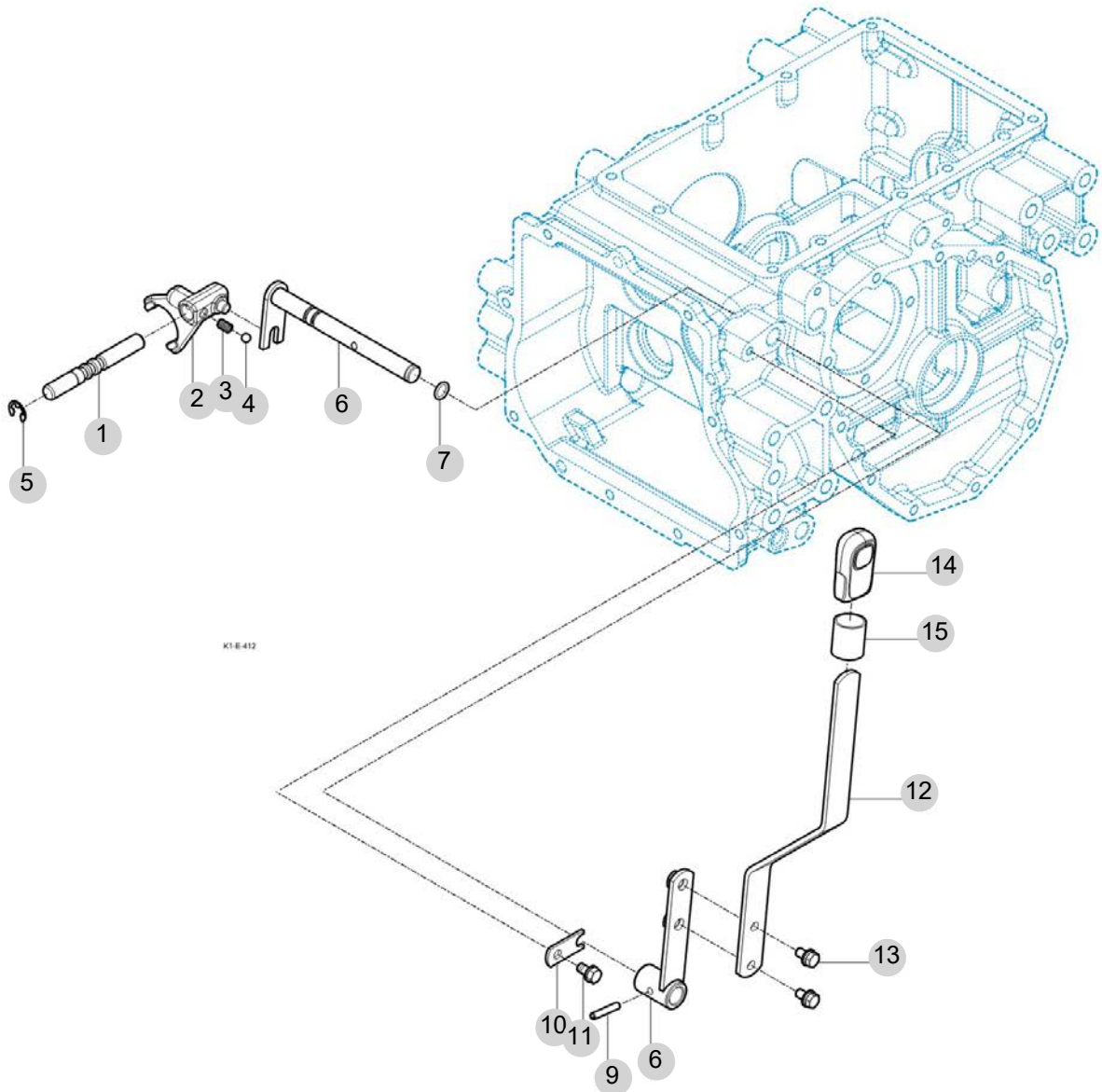
FIG 412

RANGE SHIFT LEVER

년/월
Year/Month

2022-12

T255NHEU



NOTE

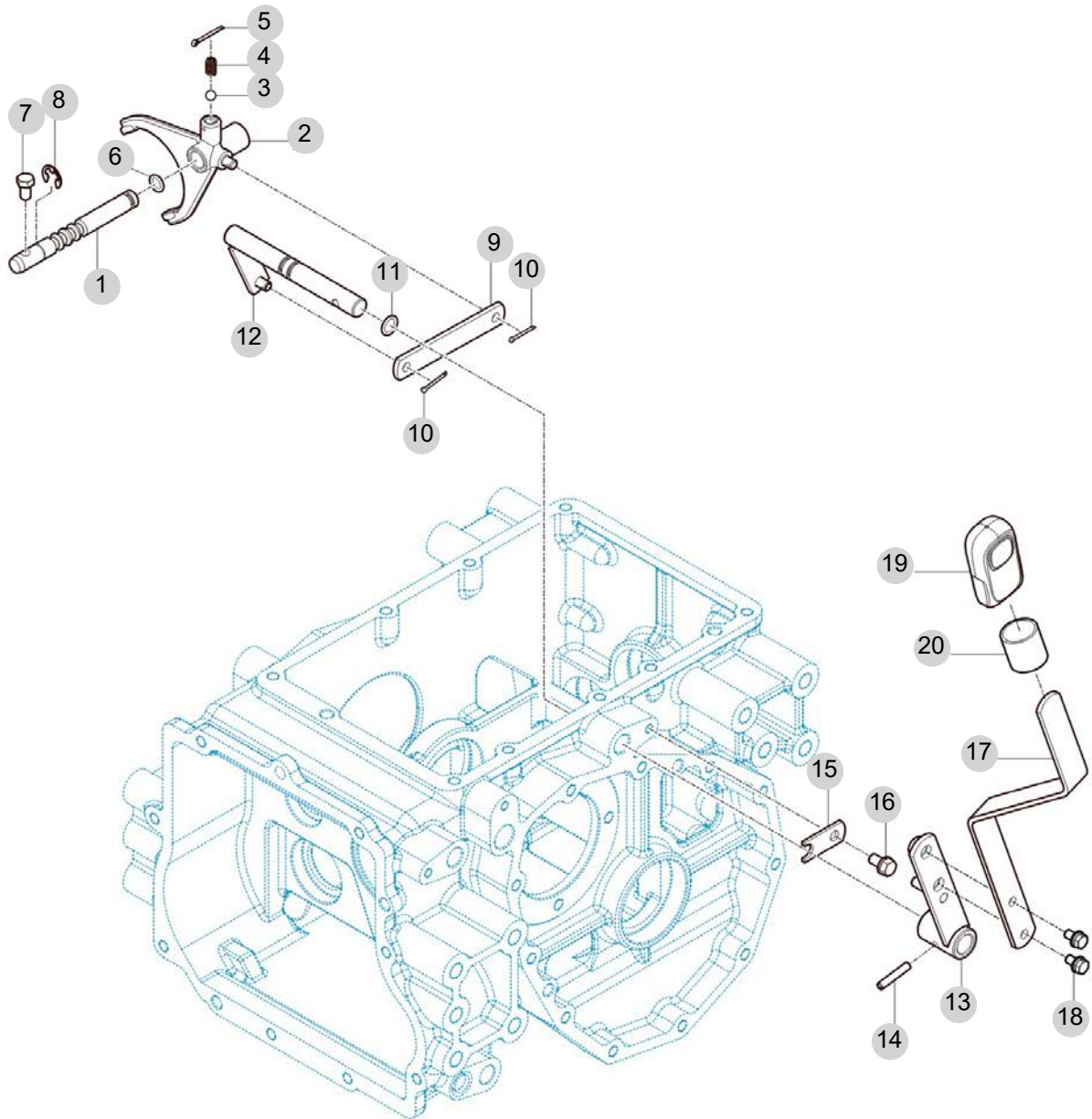
FIG 413

P.T.O CHANGE LEVER

년/월
Year/Month

2022-12

T255NHEU



NOTE

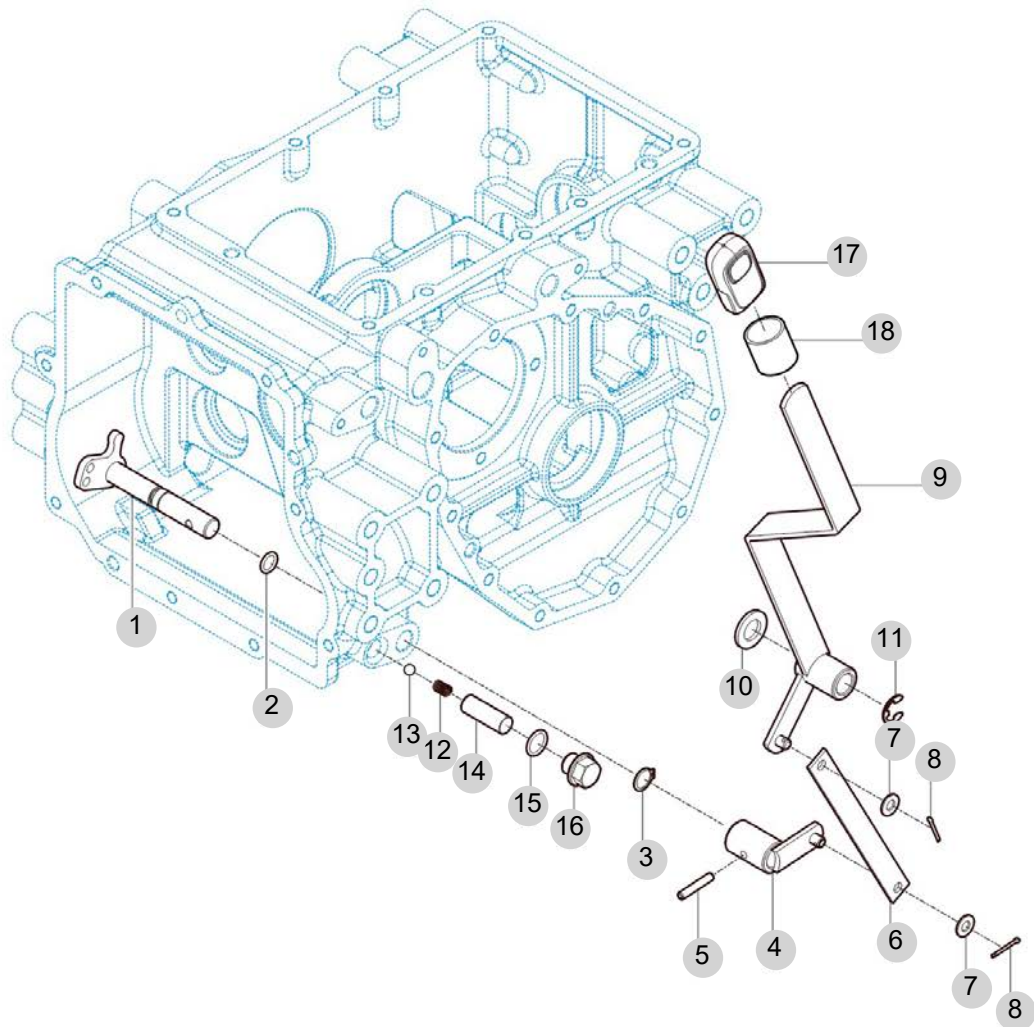
FIG 414

4WD CHANGE LEVER

년/월
Year/Month

2022-12

T255NHEU



NOTE

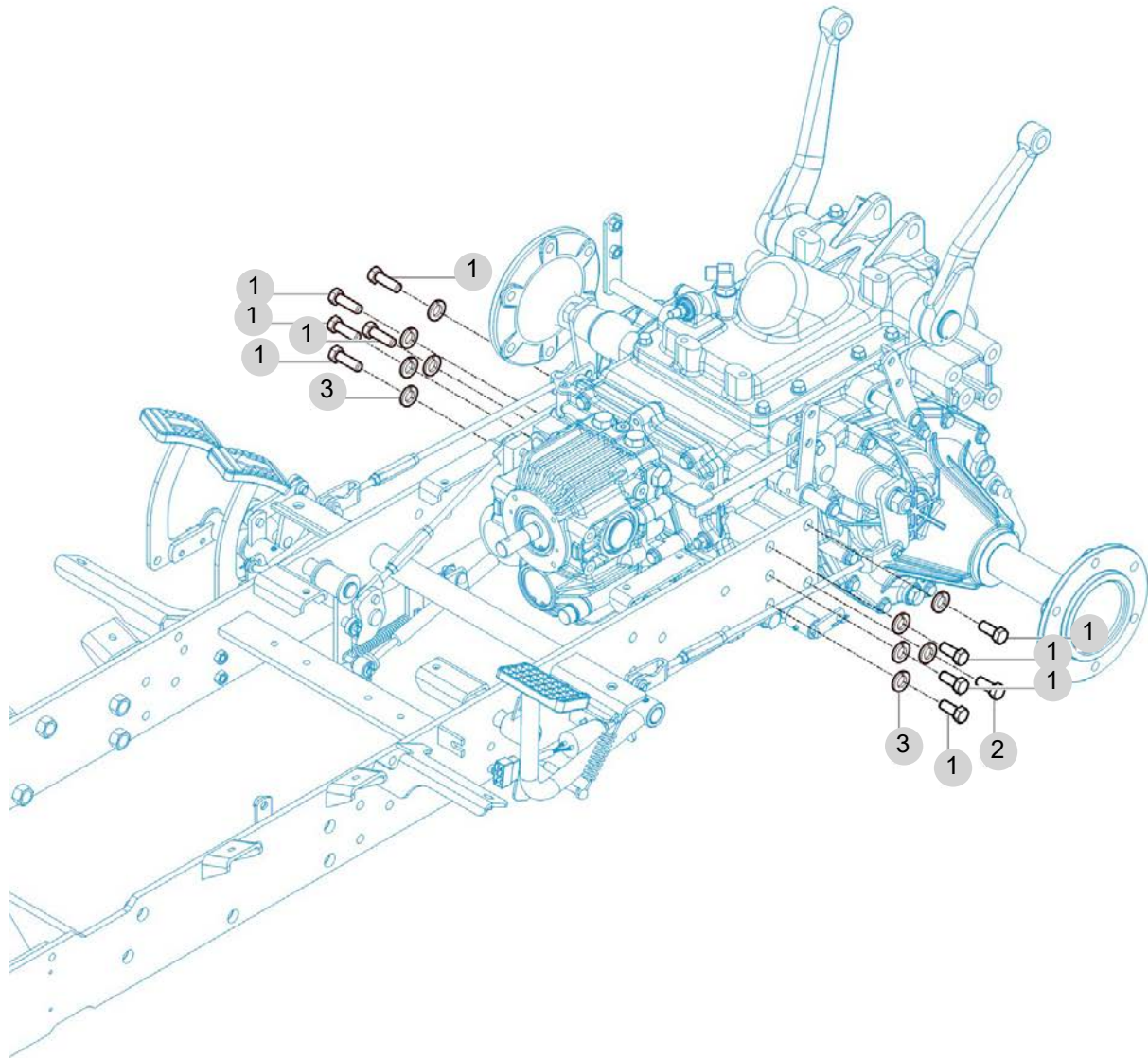
FIG 415

TRANSMISSION MOUNTING

년/월
Year/Month

T255NHEU

2022-12



NOTE

FIG 415 T255NHEU		TRANSMISSION MOUNTING						년/월 Year/Month
								2022-12
KEY NO	PART NO	DESCRIPTION	SPEC	QTY	REPAIR	EFFECTIVE DATE	REMARKS	
415	1	11104070020	숄더볼트(M14X30)	M14X30	9			
415	2	11104070030	숄더볼트(M14X25)	M14X25	1			
415	3	V4011600140	스프링와셔	M14	10			
NOTE								

5. 프런트 액슬 PART NO. T5

FIG 501 FRONT DRIVE SHAFT	113
FIG 502 FRONT DIFFERENTIAL GEAR	115
FIG 503 FRONT AXLE HOUSING	117
FIG 504 FRONT GEAR CASE (1)	119
FIG 505 FRONT GEAR CASE (2)	121

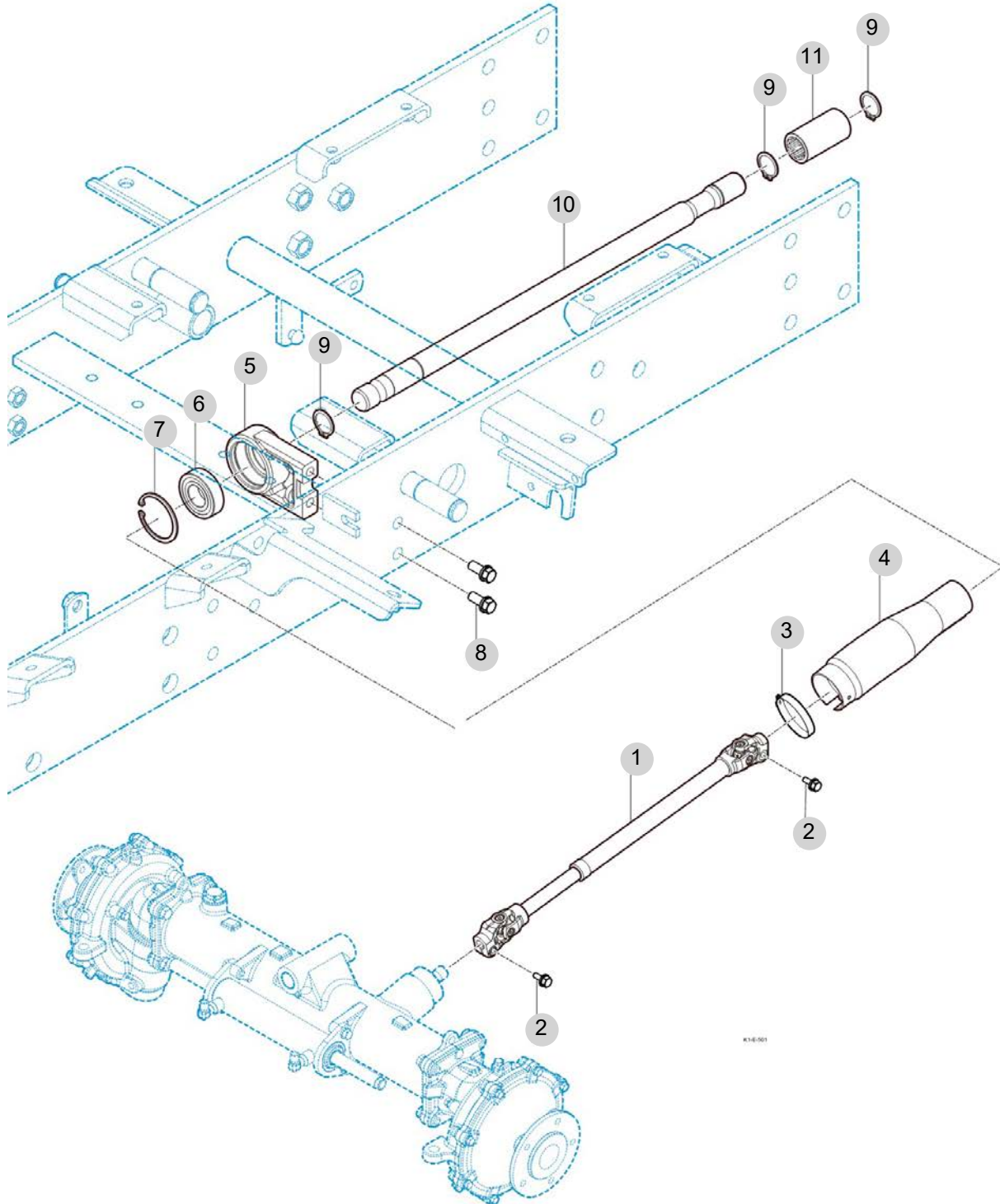
FIG 501

FRONT DRIVE SHAFT

년/월
Year/Month

T255NHEU

2022-12



NOTE

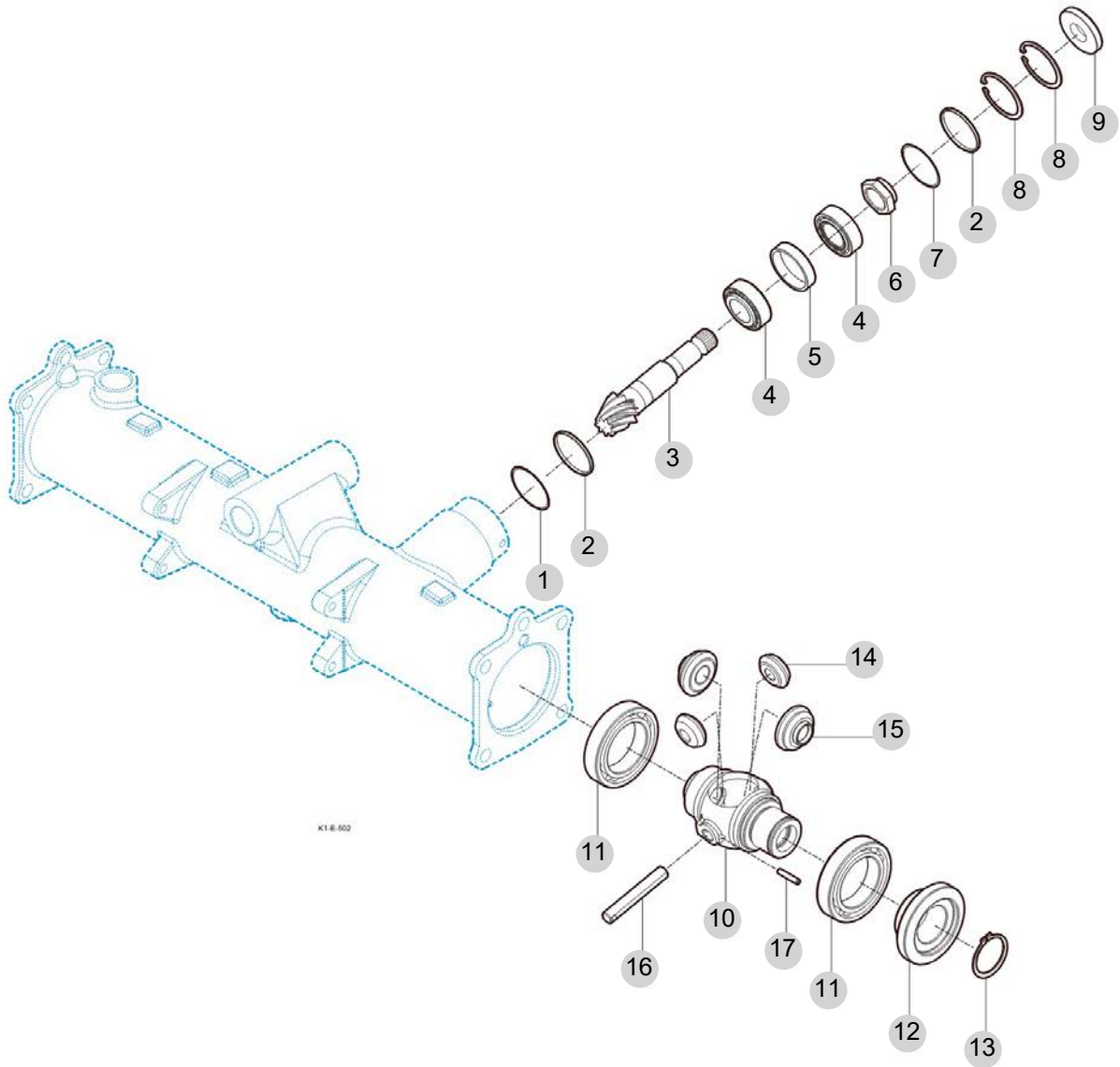
FIG 502

FRONT DIFFERENTIAL GEAR

년/월
Year/Month

T255NHEU

2022-12



NOTE

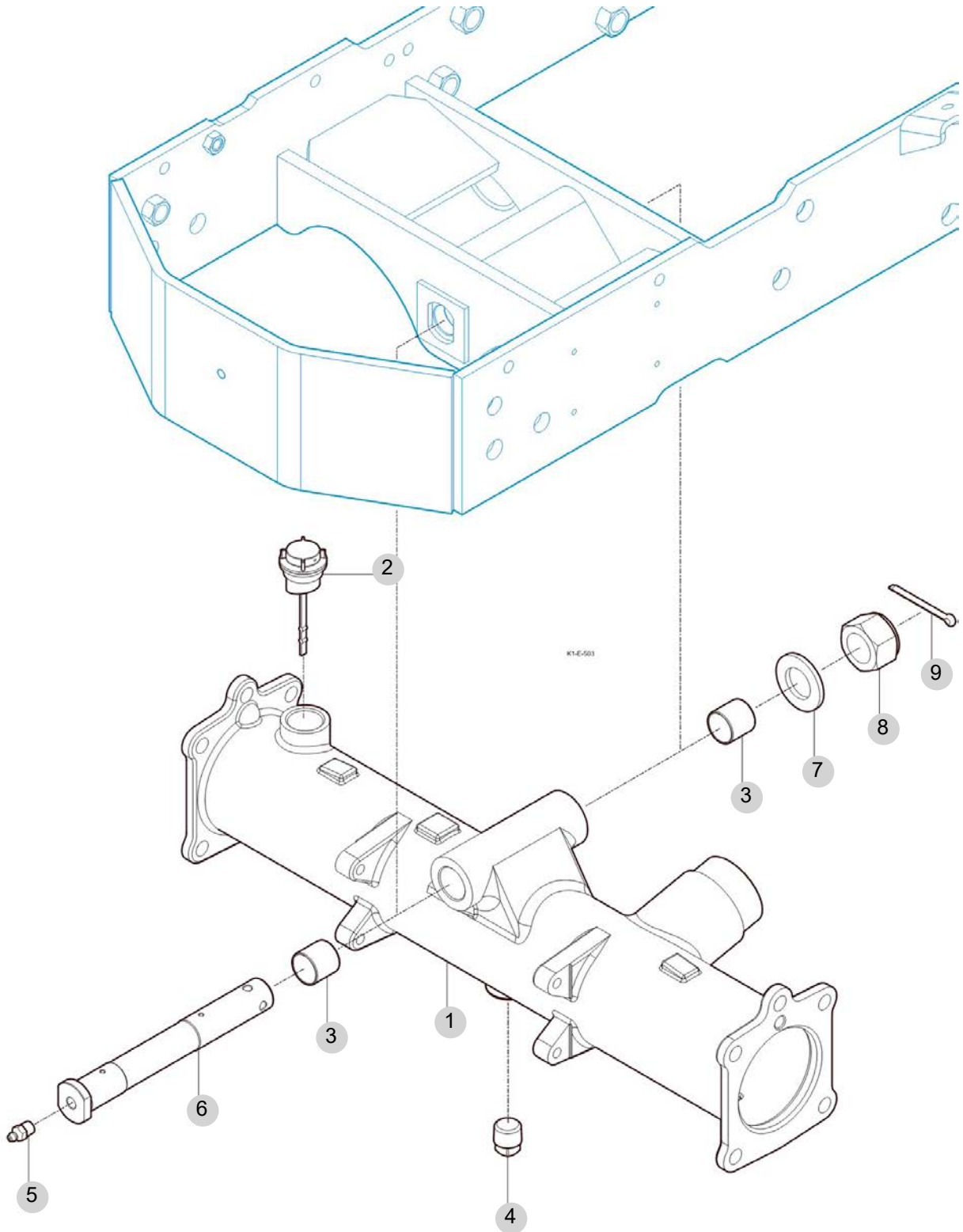
FIG 503

FRONT AXLE HOUSING

년/월
Year/Month

T255NHEU

2022-12



NOTE

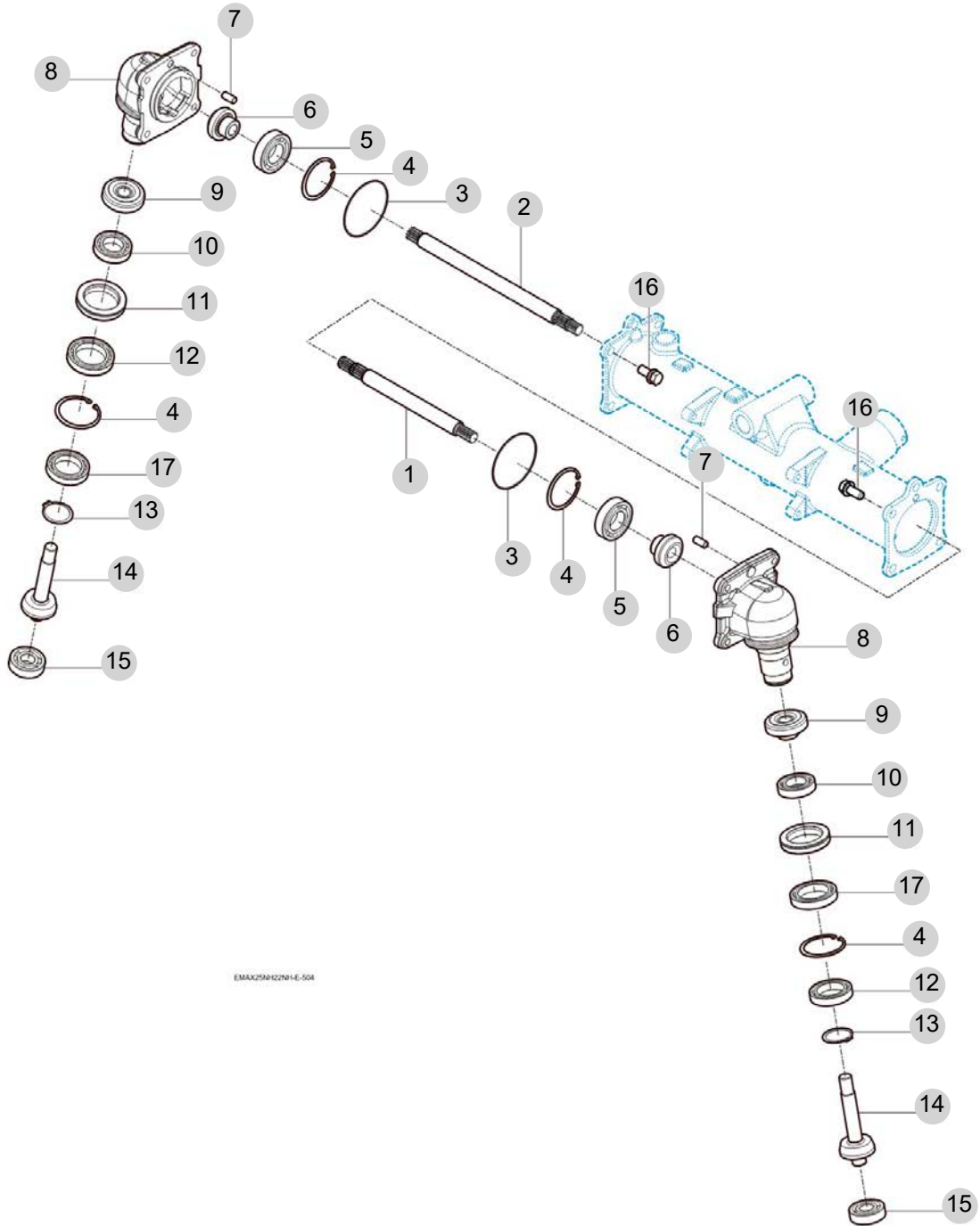
FIG 504

FRONT GEAR CASE (1)

년/월
Year/Month

2022-12

T255NHEU



EMAX255H22NHE-504

NOTE

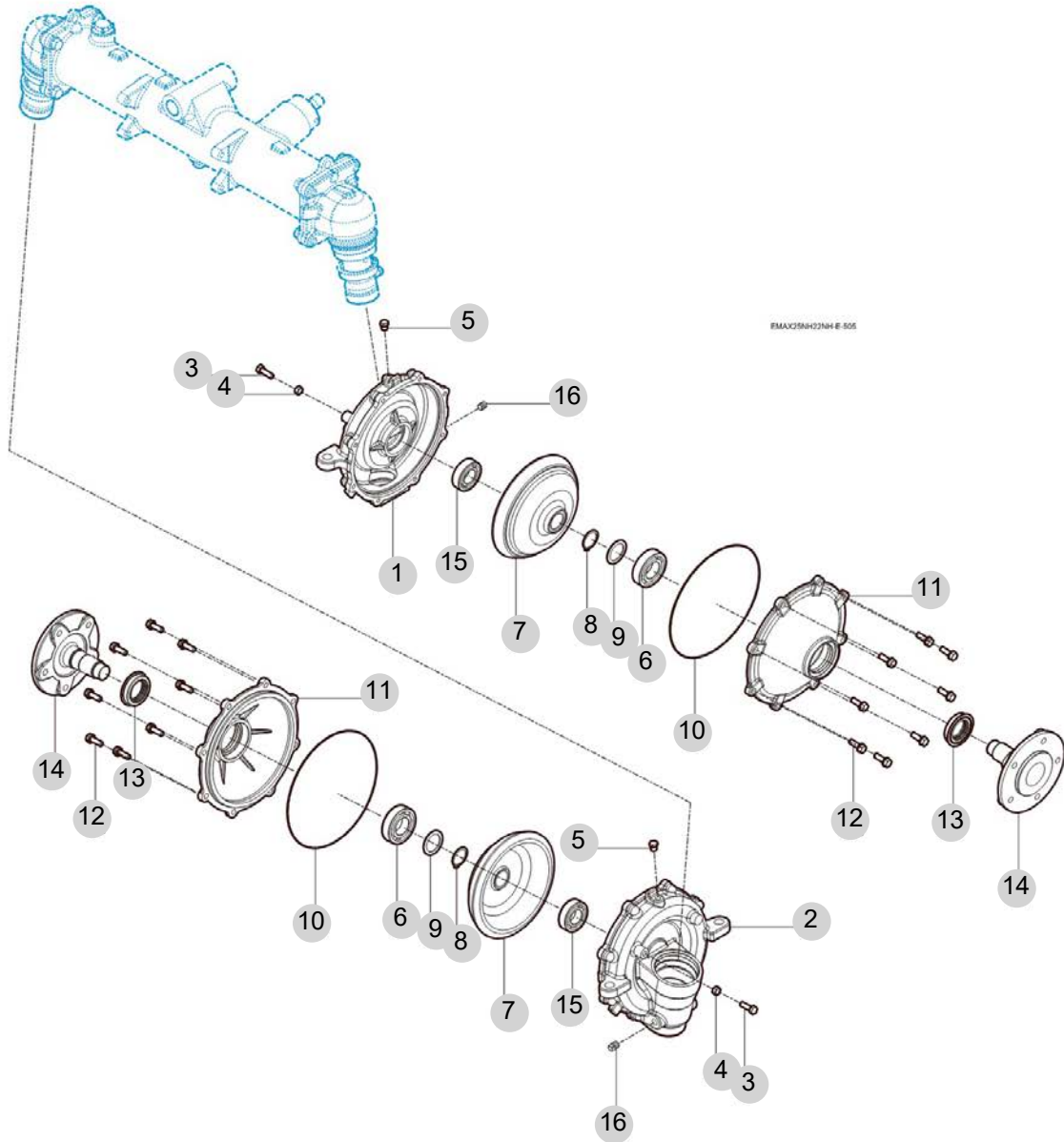
FIG 505

FRONT GEAR CASE (2)

년/월
Year/Month

2022-12

T255NHEU



NOTE

6. 유압/3점링크 PART NO. T6

FIG 601 CYLINDER CASE	124
FIG 602 LIFT ARM	126
FIG 603 FLOW CONTROL VALVE	128
FIG 604 MAIN CONTROL VALVE	130
FIG 605 HYDRAULIC SUB	132
FIG 606 HITCH & 3-POINT LINKAGE	134
FIG 607 HITCH & COVER	136
FIG 608 AUXILIARY VALVE	138

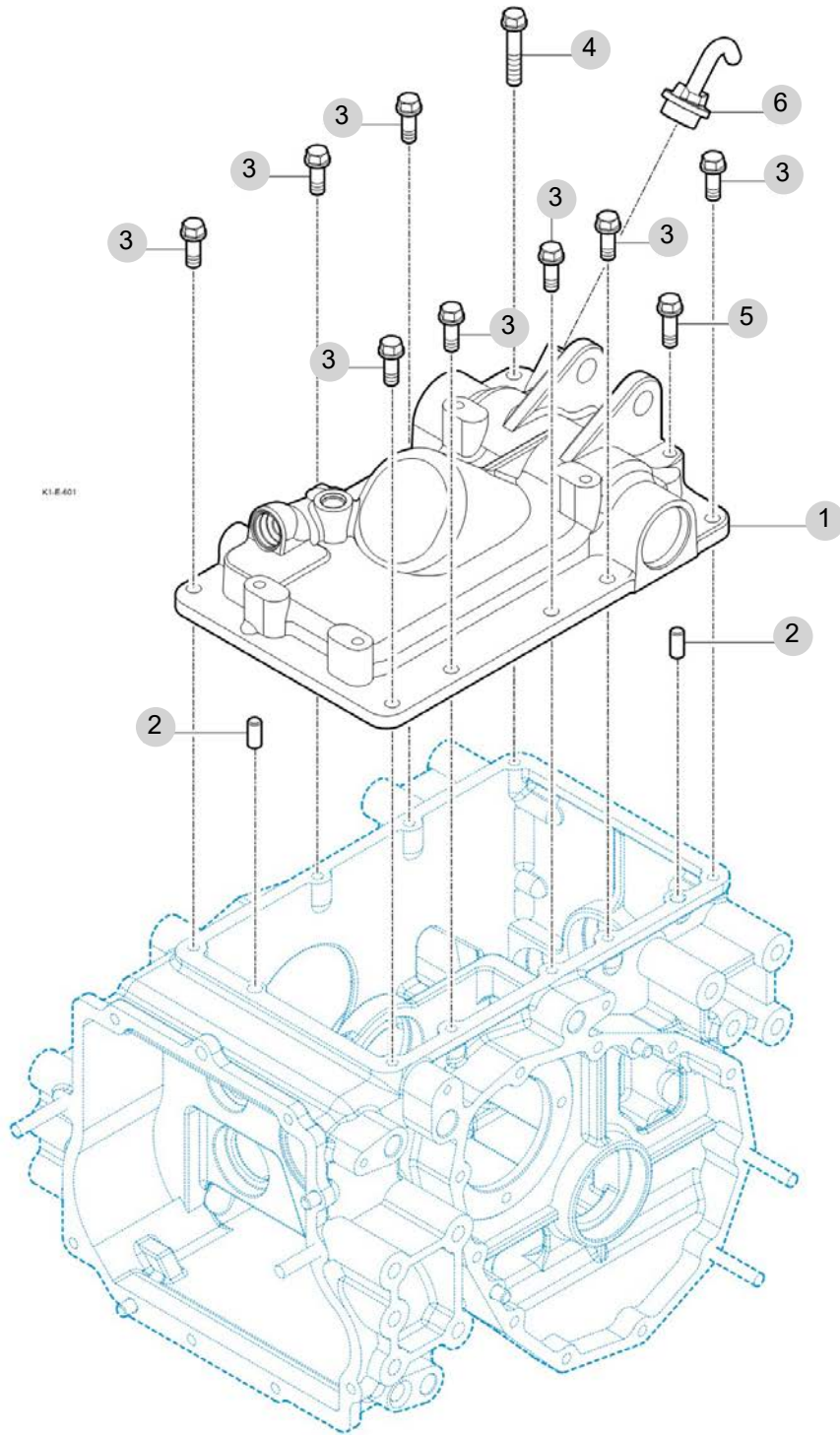
FIG 601

T255NHEU

CYLINDER CASE

년/월
Year/Month

2022-12



NOTE

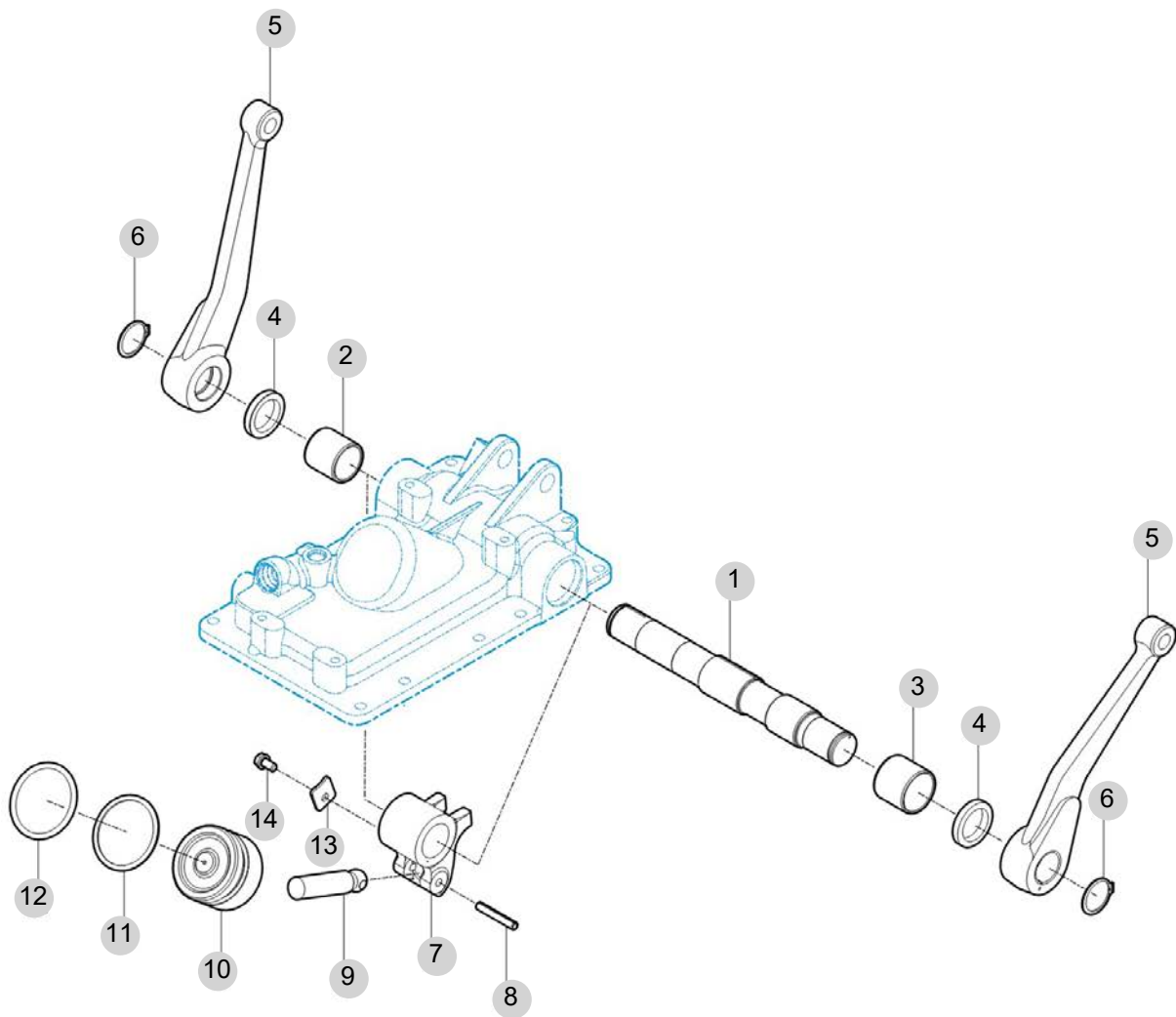
FIG 602

LIFT ARM

년/월
Year/Month

T255NHEU

2022-12



NOTE

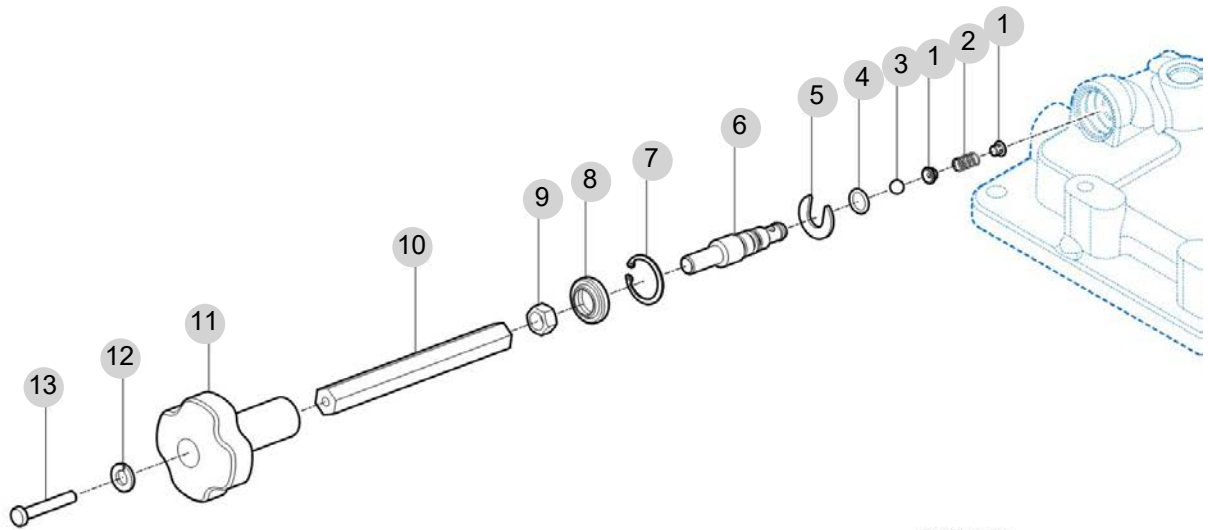
FIG 603

T255NHEU

FLOW CONTROL VALVE

년/월
Year/Month

2022-12



EMAX25NH220H-E-603

NOTE

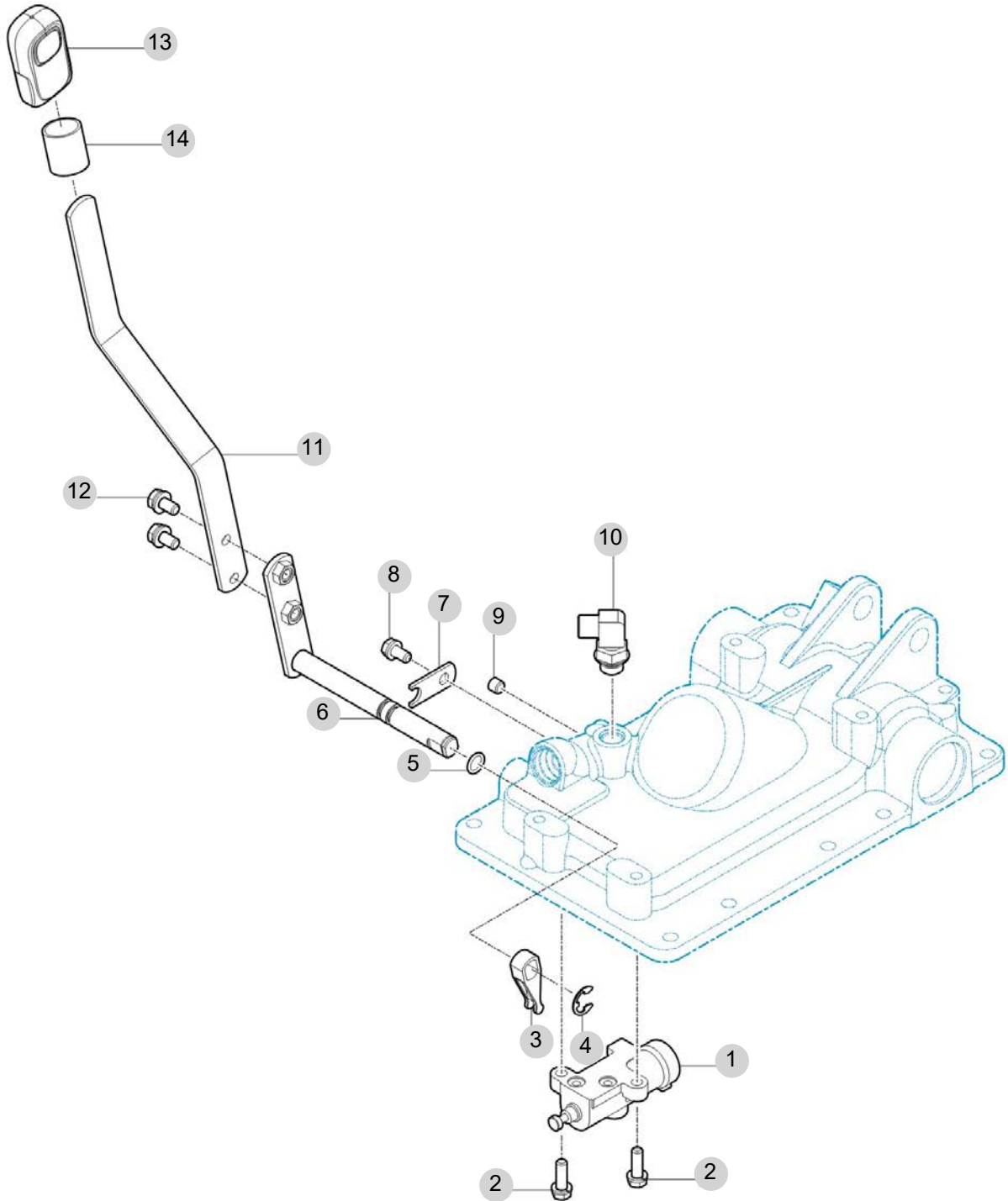
FIG 604

T255NHEU

MAIN CONTROL VALVE

년/월
Year/Month

2022-12



NOTE

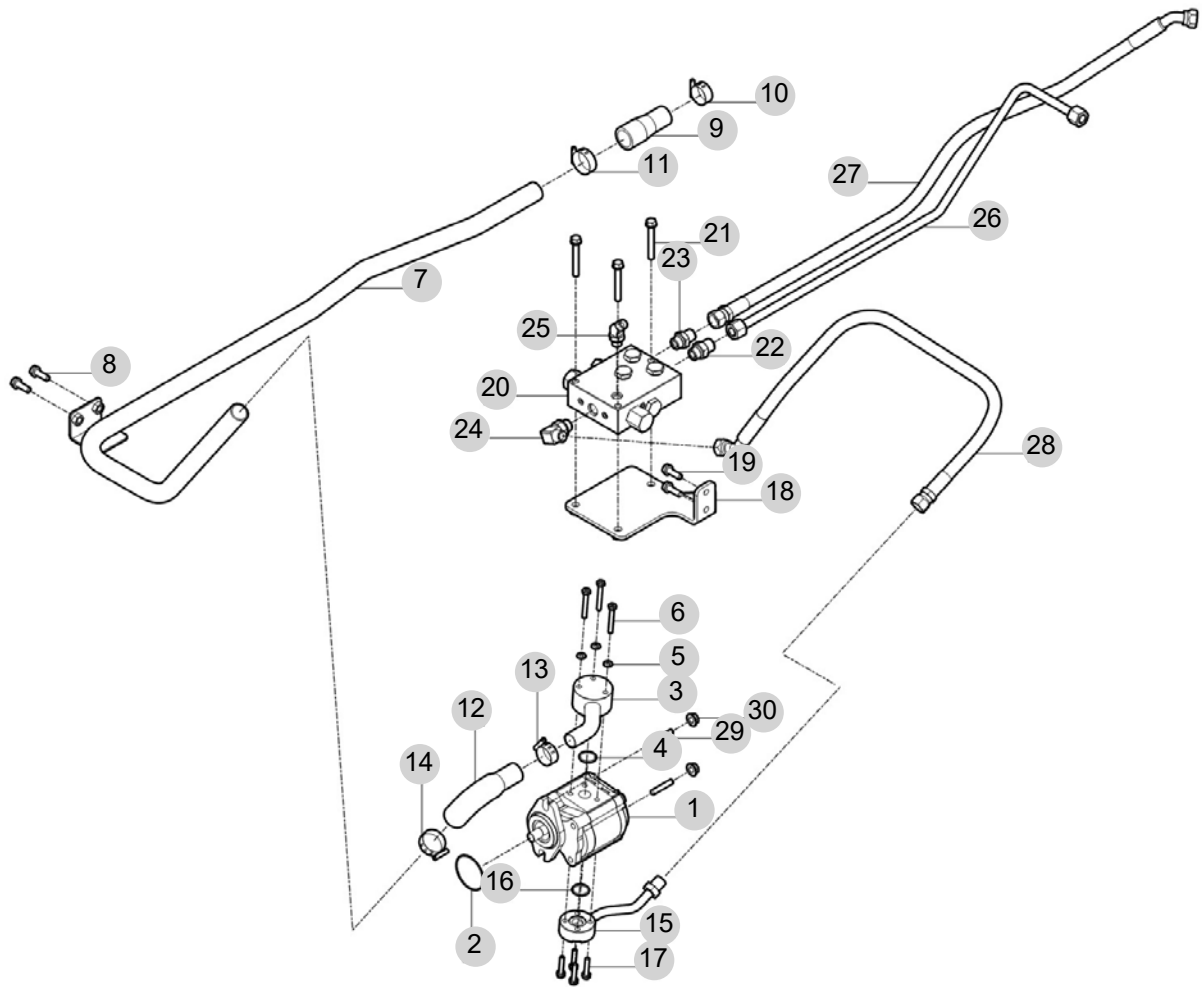
FIG 605

T255NHEU

HYDRAULIC SUB

년/월
Year/Month

2022-12



NOTE

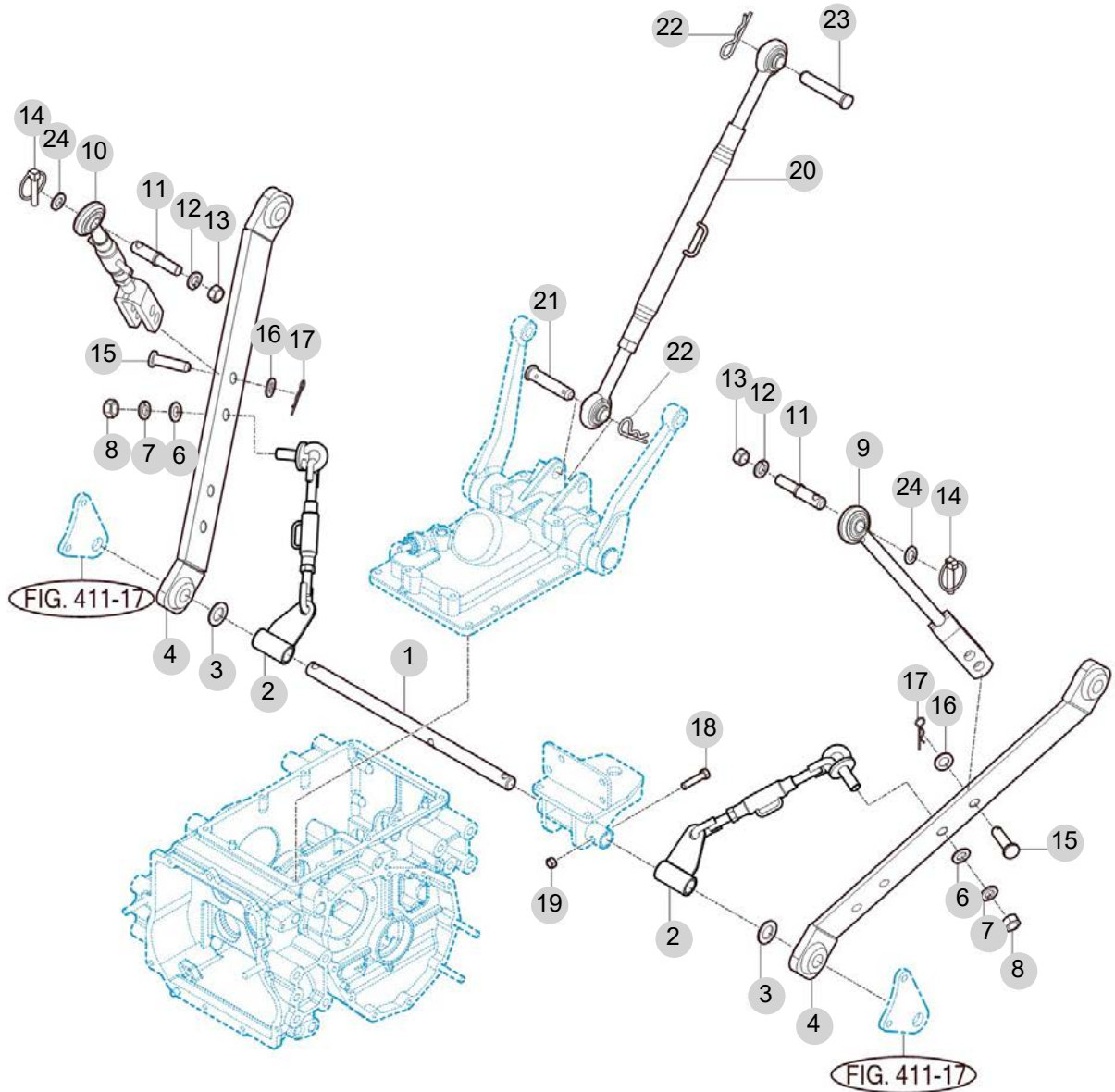
FIG 606

HITCH & 3-POINT LINKAGE

년/월
Year/Month

2022-12

T255NHEU



NOTE

FIG 606 T255NHEU	HITCH & 3-POINT LINKAGE					년/월 Year/Month	
						2022-12	

KEY NO		PART NO	DESCRIPTION	SPEC	QTY	REPAIR	EFFECTIVE DATE	REMARKS
606	2	11105202500	체크체인 ASSY		2			
606	3	V4111600220	평와셔	M22	2			
606	4	11105202200GB	로어링크 COMP		2			
606	6	V4111600160	평와셔	M16	2			
606	7	V4011600160	스프링와셔	M16	2			
606	8	V3013600160	육각너트보통2종	M16	2			
606	9	11105202400	리프트로드(LH) COMP		1			
606	10	11105203400	리프트로드(RH) COMP		1			
606	11	11105200020	핀(19)		2			
606	12	V4011600160	스프링와셔	M16	2			
606	13	V3043600160	소형육각너트보통2종	M16	2			
606	14	14215020020	링크핀		2			
606	15	79636130050	핀(16X60)		2			
606	16	V4111600160	평와셔	M16	2			
606	17	13059310030	헤어핀(D=2.3)		2			
606	20	11105206100	툼링크 COMP		1			
606	21	15645220011	핀(19X86)		1			
606	22	14445140051	헤어핀(19)		2			
606	23	15645220020	핀(19X95)		1			
606	24	V4111600200	평와셔	M20	2			
606	25	11105200050	스페이서		2			
606	26	V4111600220	평와셔	M22	2			
606	27	14215020020	링크핀		2			

NOTE								
------	--	--	--	--	--	--	--	--

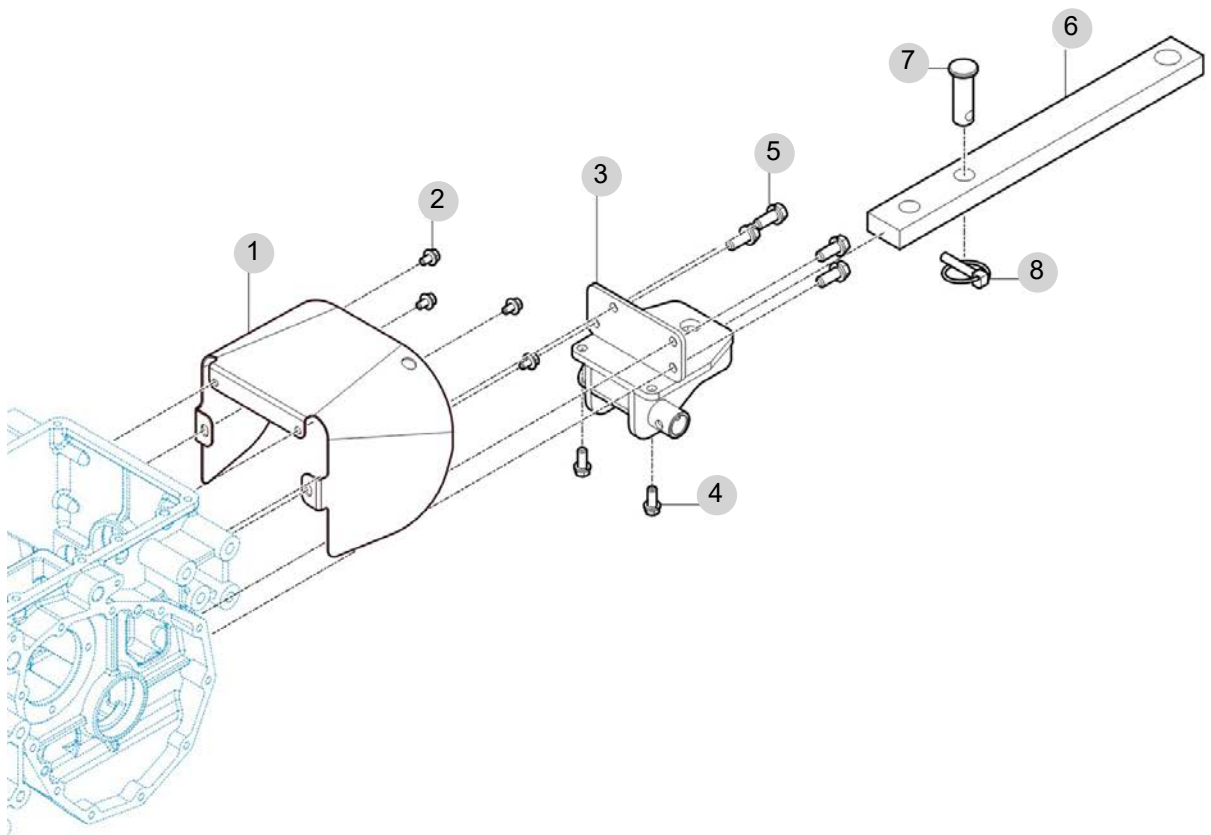
FIG 607

T255NHEU

HITCH & COVER

년/월
Year/Month

2022-12



NOTE

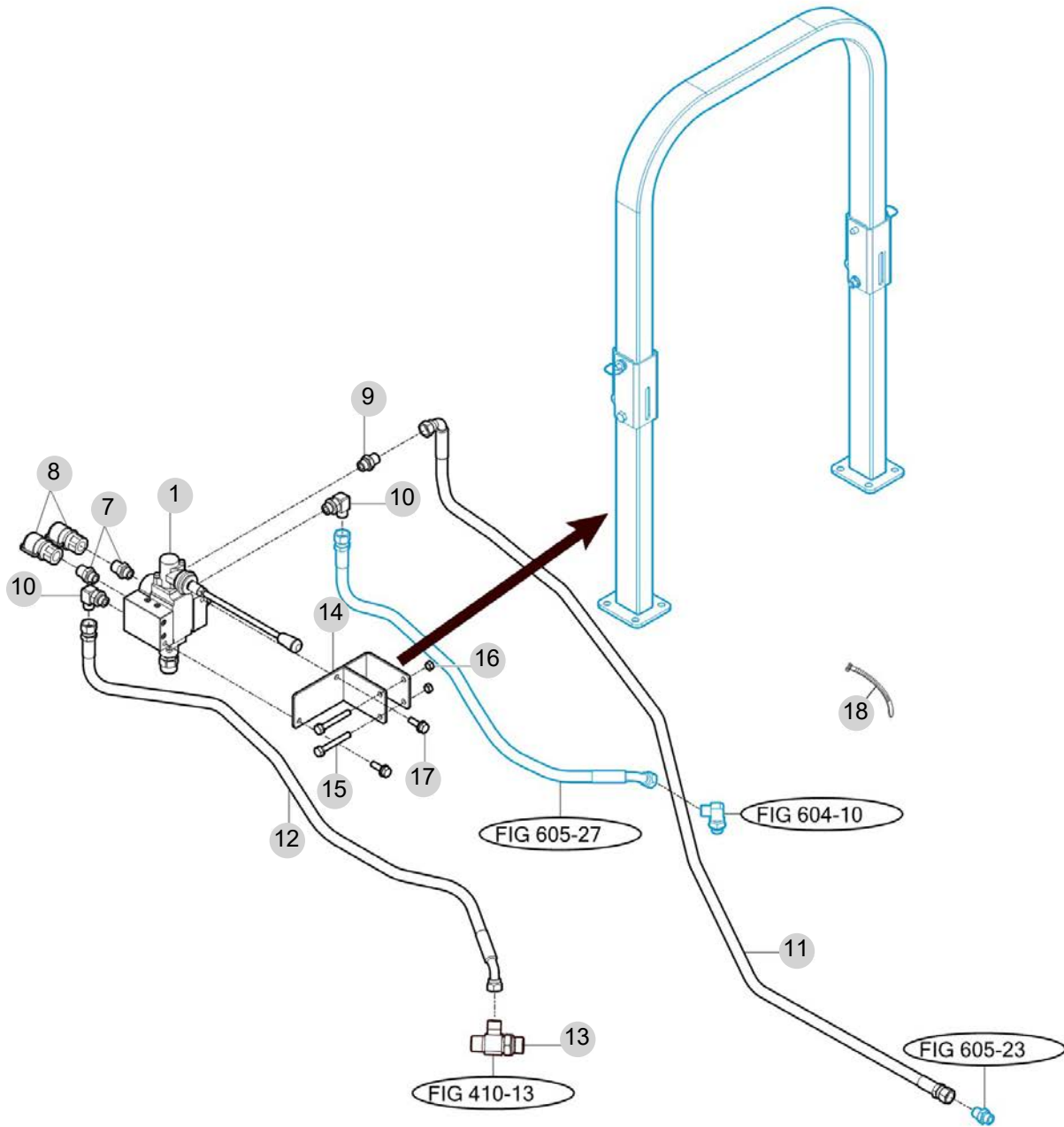
FIG 608

T255NHEU

AUXILIARY VALVE

년/월
Year/Month

2022-12



NOTE

7. 시트메탈/캐빈 PART NO. T7

FIG 701 BONNET (1)	141
FIG 701-2 BONNET (2)	143
FIG 702 FLOOR	145
FIG 703 SEAT	147
FIG 704 ROPS	149
FIG 705 LEVER COVER & FENDER	151
FIG 706 LAMP	153

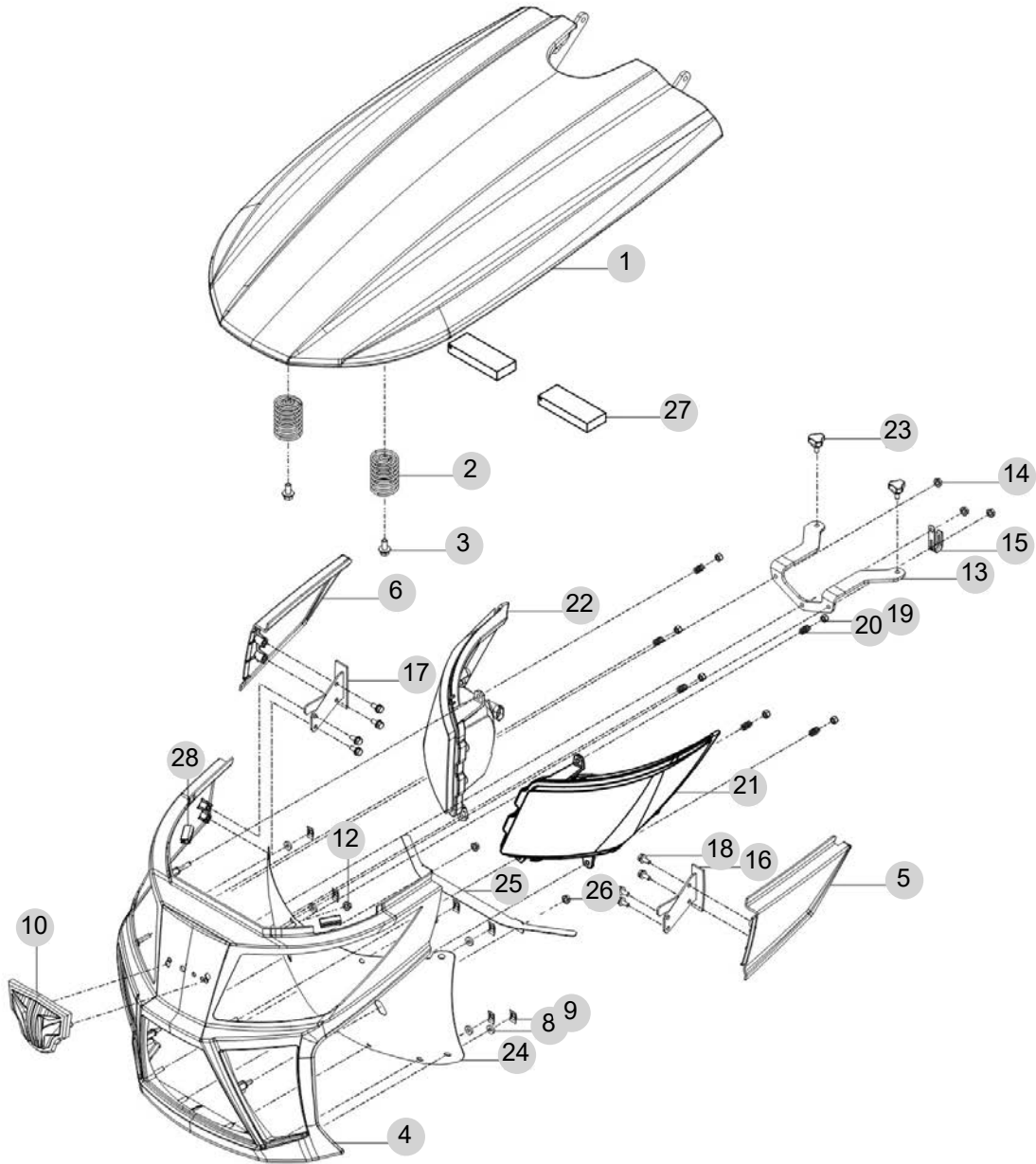
FIG 701

T255NHEU

BONNET (1)

년/월
Year/Month

2022-12



NOTE

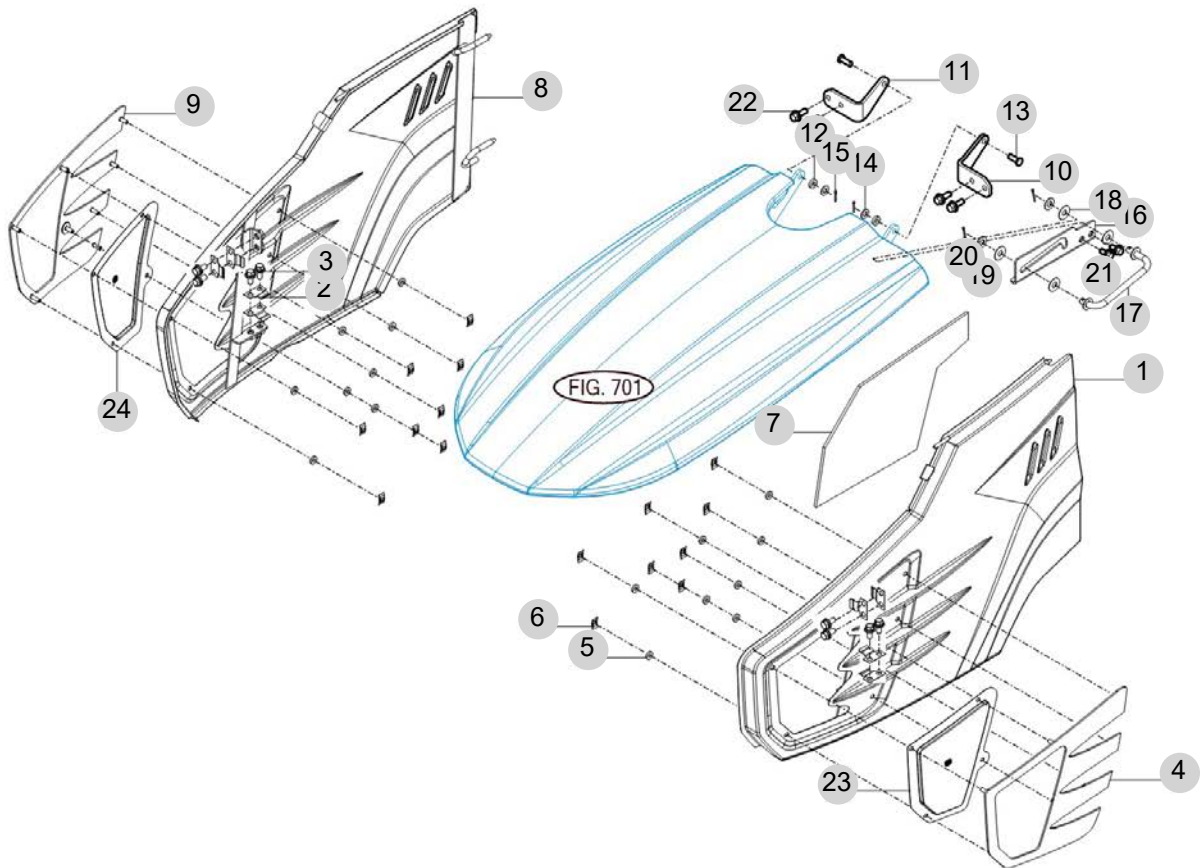
FIG 701-2

T255NHEU

BONNET (2)

년/월
Year/Month

2022-12



NOTE

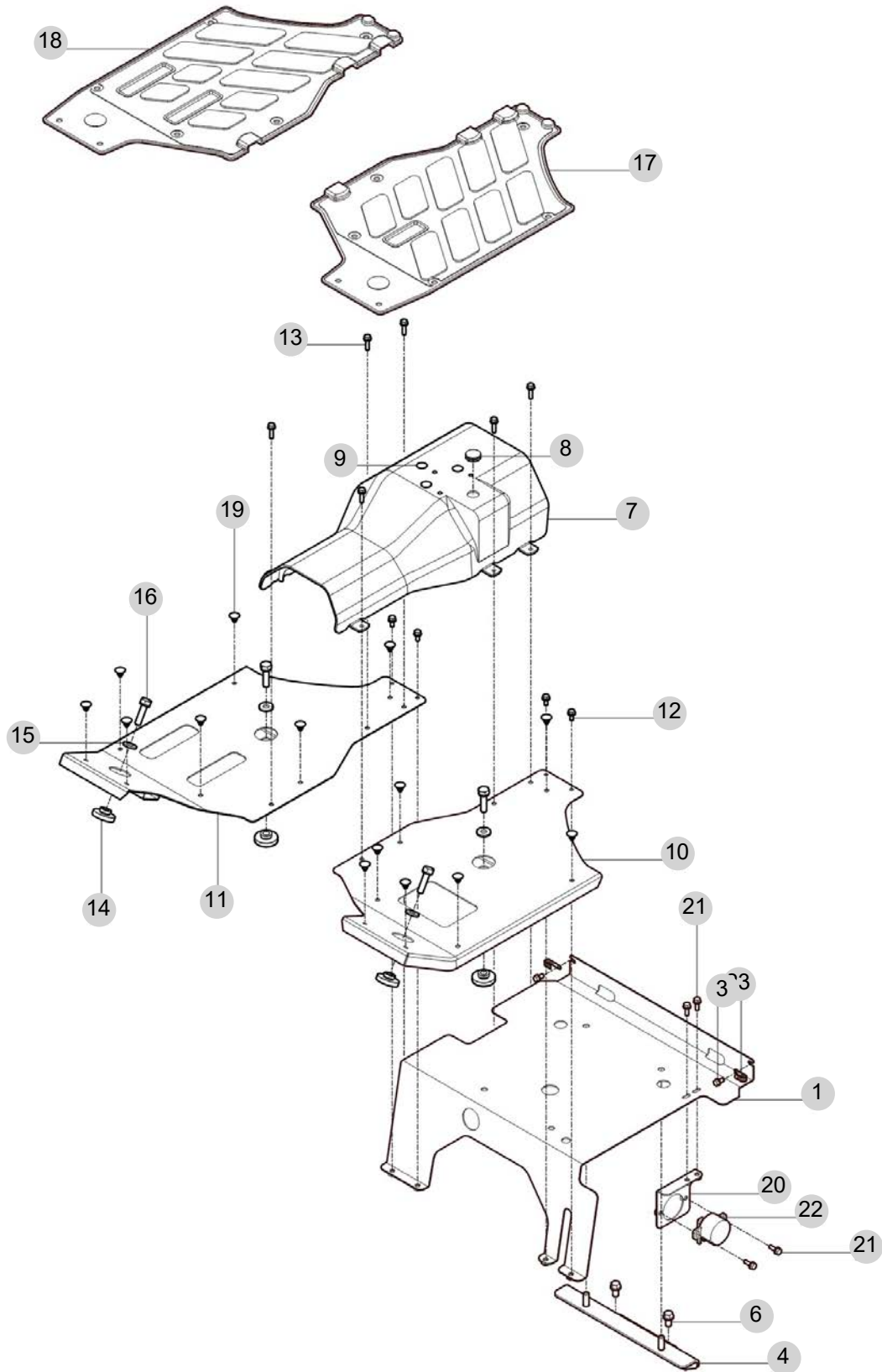
FIG 702

T255NHEU

FLOOR

년/월
Year/Month

2022-12



NOTE

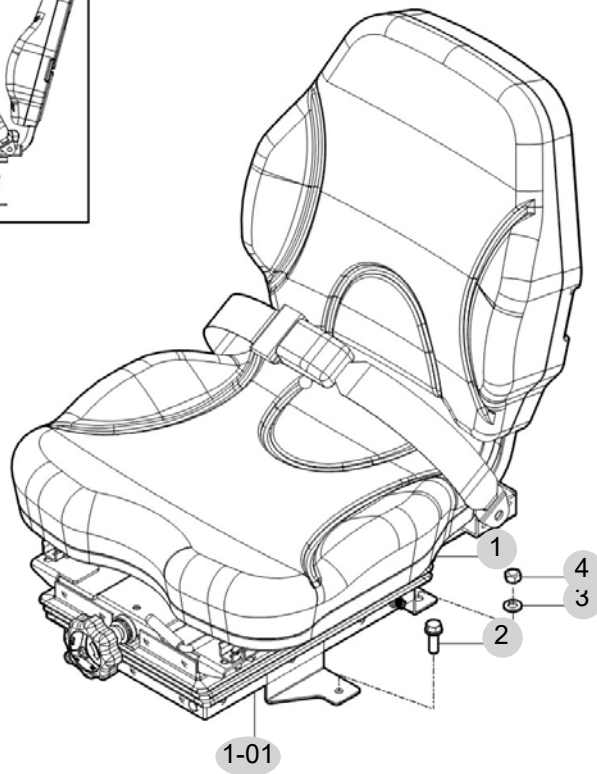
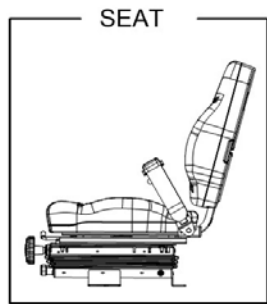
FIG 703

T255NHEU

SEAT

년/월
Year/Month

2022-12



NOTE

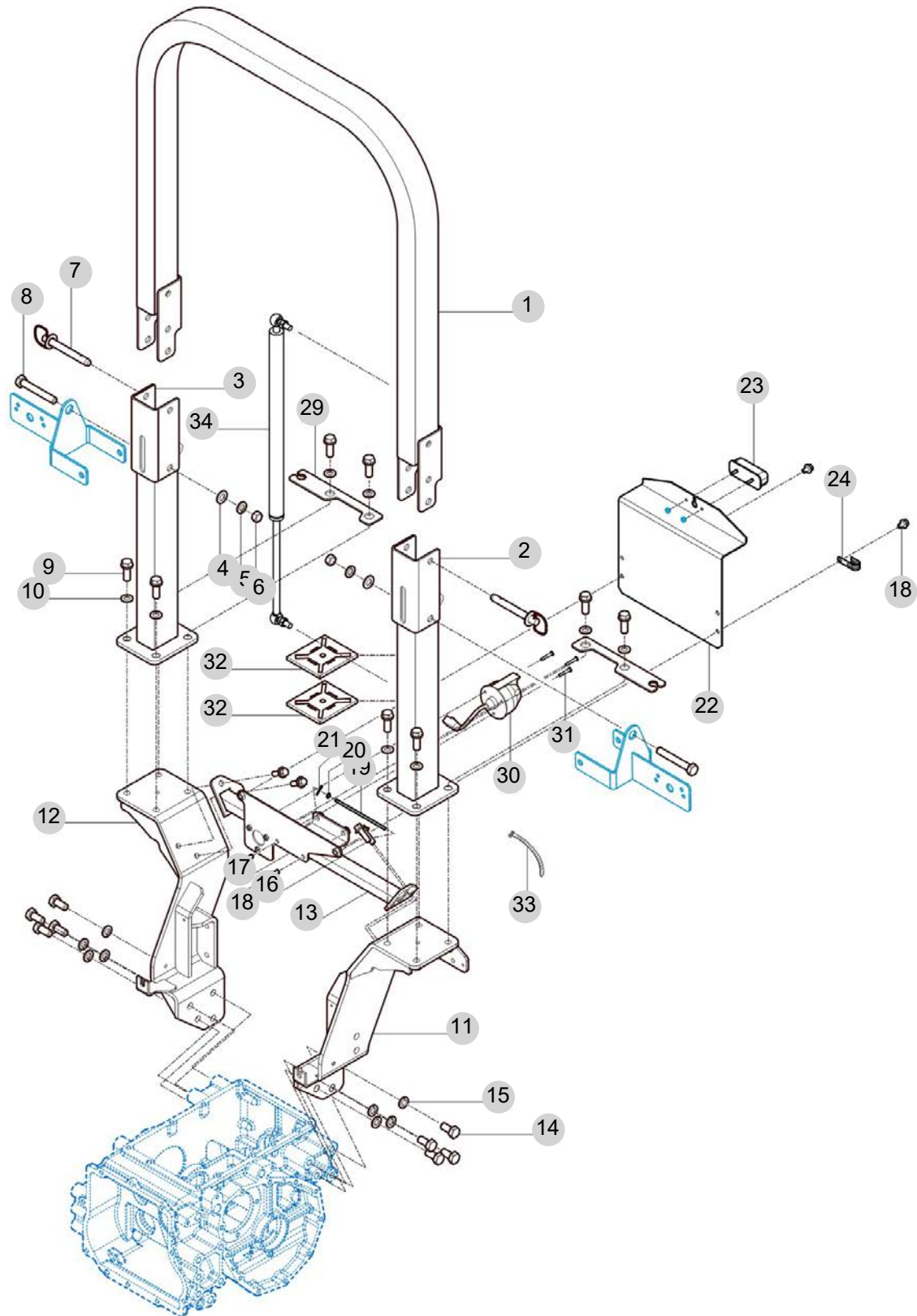
FIG 704

T255NHEU

ROPS

년/월
Year/Month

2022-12



NOTE

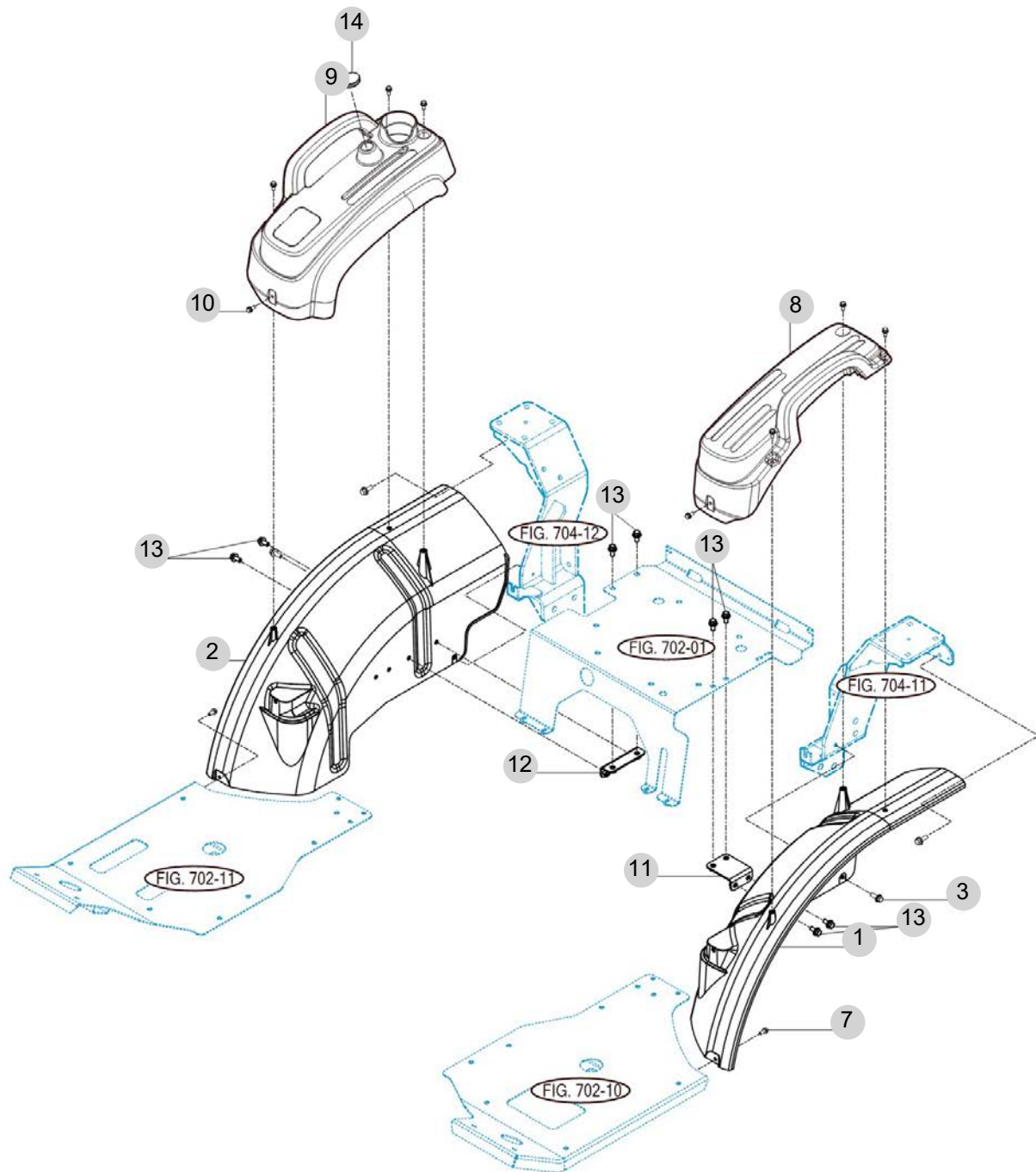
FIG 705

T255NHEU

LEVER COVER & FENDER

년/월
Year/Month

2022-12



NOTE

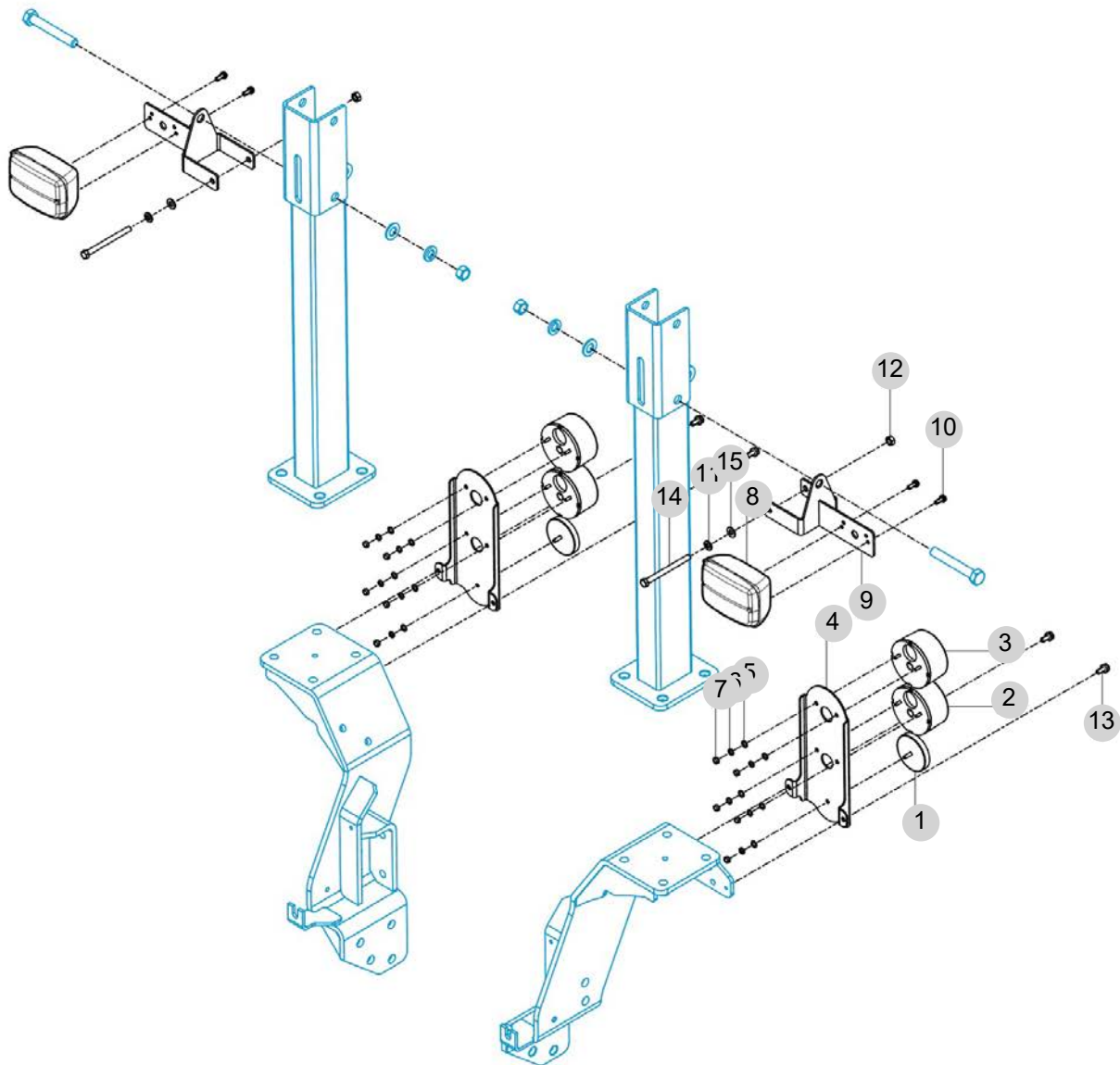
FIG 706

T255NHEU

LAMP

년/월
Year/Month

2022-12



NOTE

8. 전장 PART NO. T8

FIG 801 BATTERY MOUNTING	156
FIG 802 INSTRUMENT PANEL	158
FIG 803 HARNESS (1)	160
FIG 804 HARNESS (2)	162

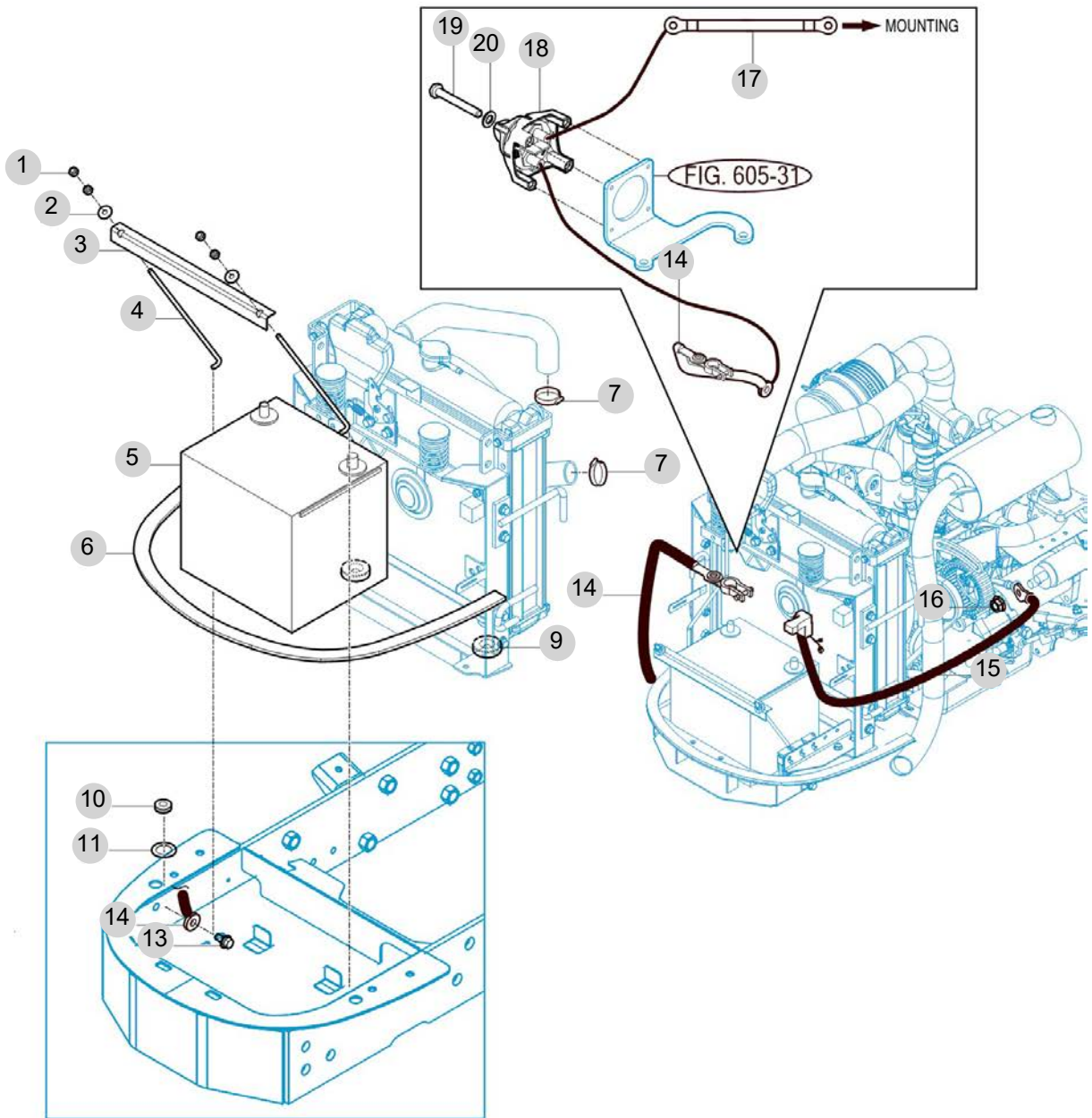
FIG 801

BATTERY MOUNTING

년/월
Year/Month

2022-12

T255NHEU



NOTE

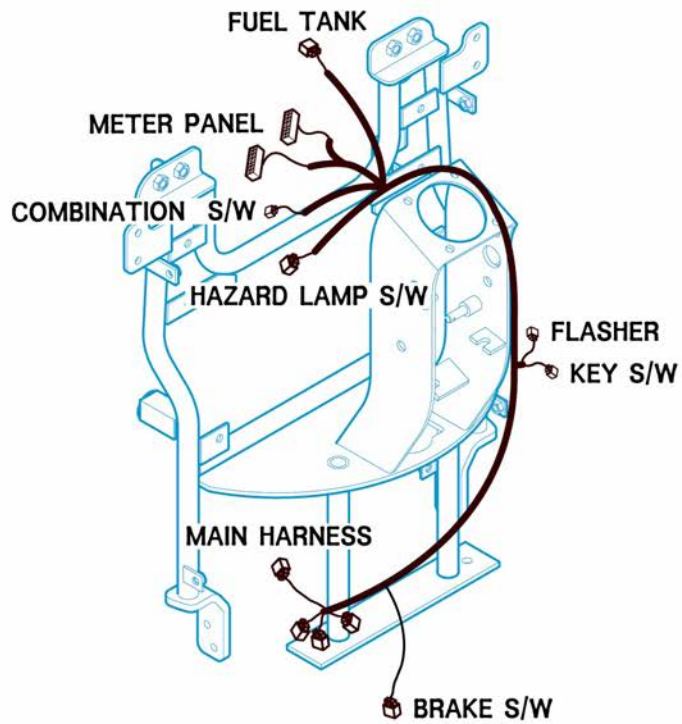
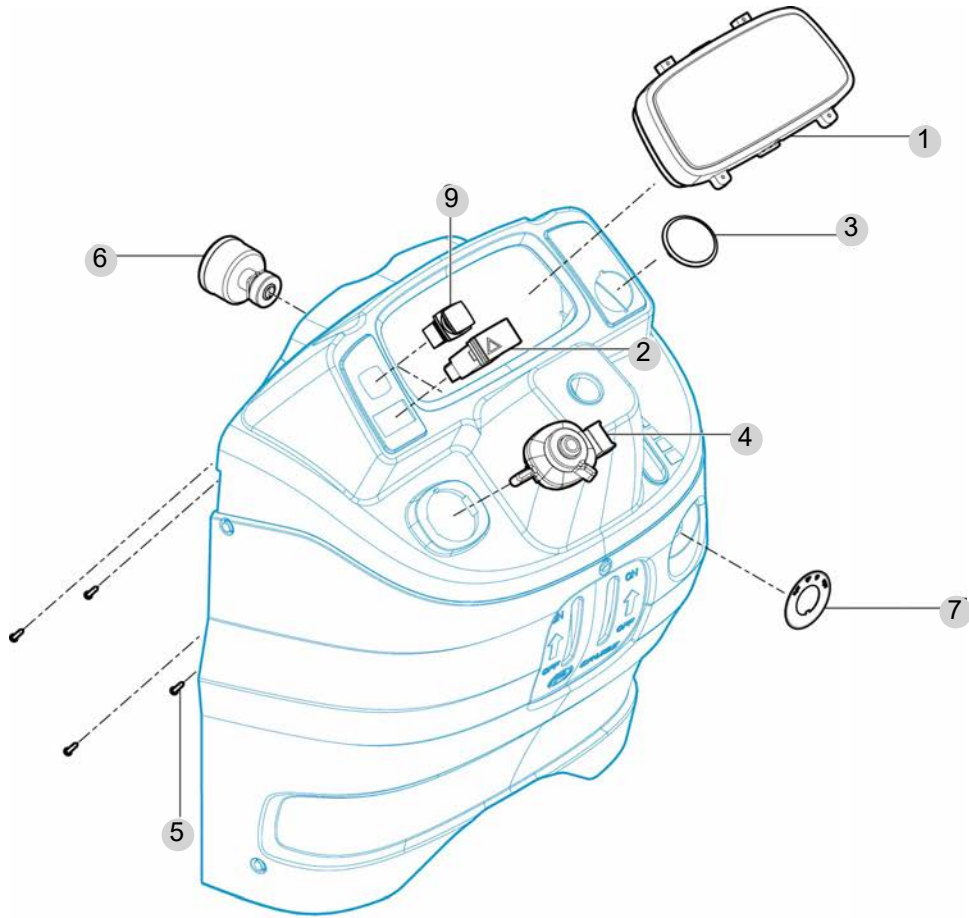
FIG 802

INSTRUMENT PANEL

년/월
Year/Month

2022-12

T255NHEU



NOTE

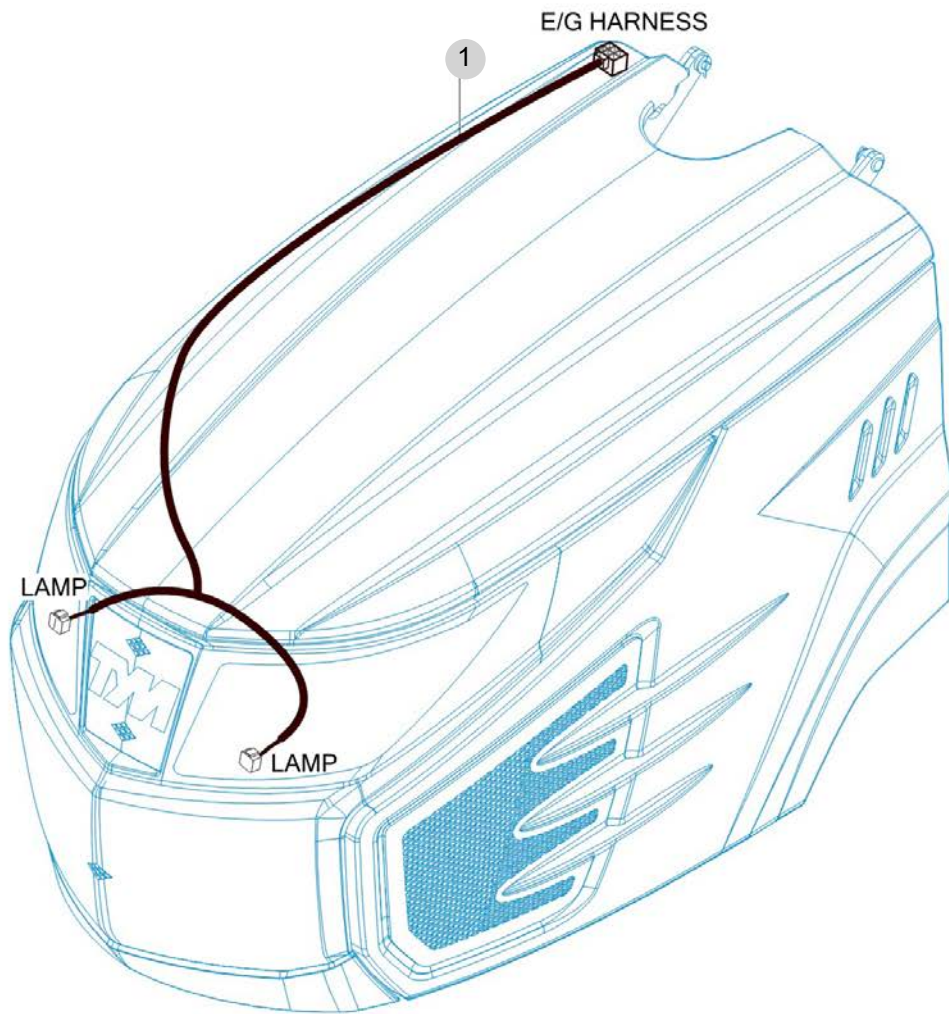
FIG 803

T255NHEU

HARNESS (1)

년/월
Year/Month

2022-12



NOTE

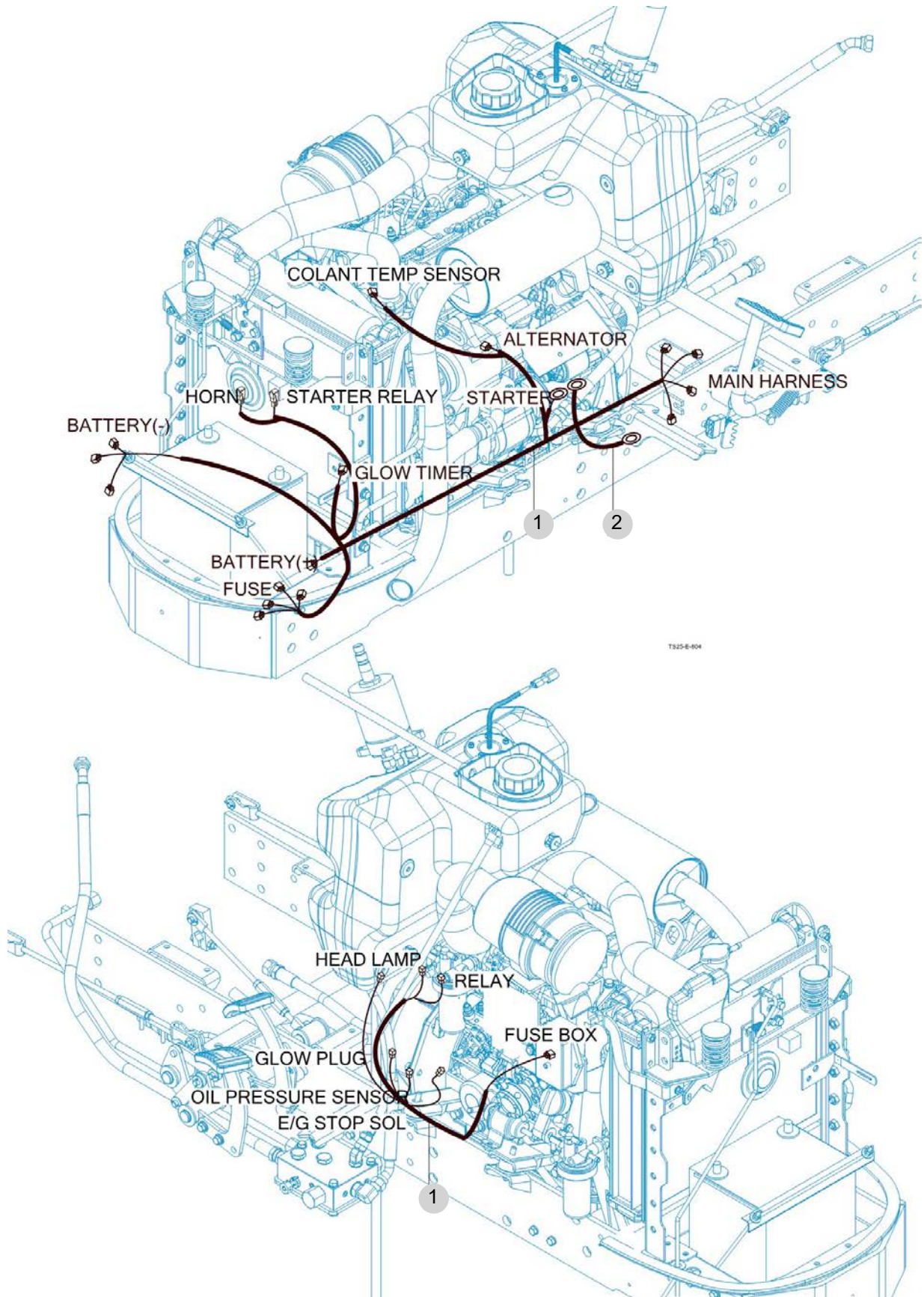
FIG 804

HARNESS (2)

년/월
Year/Month

2022-12

T255NHEU



NOTE

9. 라벨/옵션 PART NO. T9

FIG 805 HARNESS (3)	165
FIG 901 TOOL & ACCESSORY	167
FIG 902 WEIGHT	169
FIG 903 LABEL (1)	171
FIG 904 LABEL (2)	173

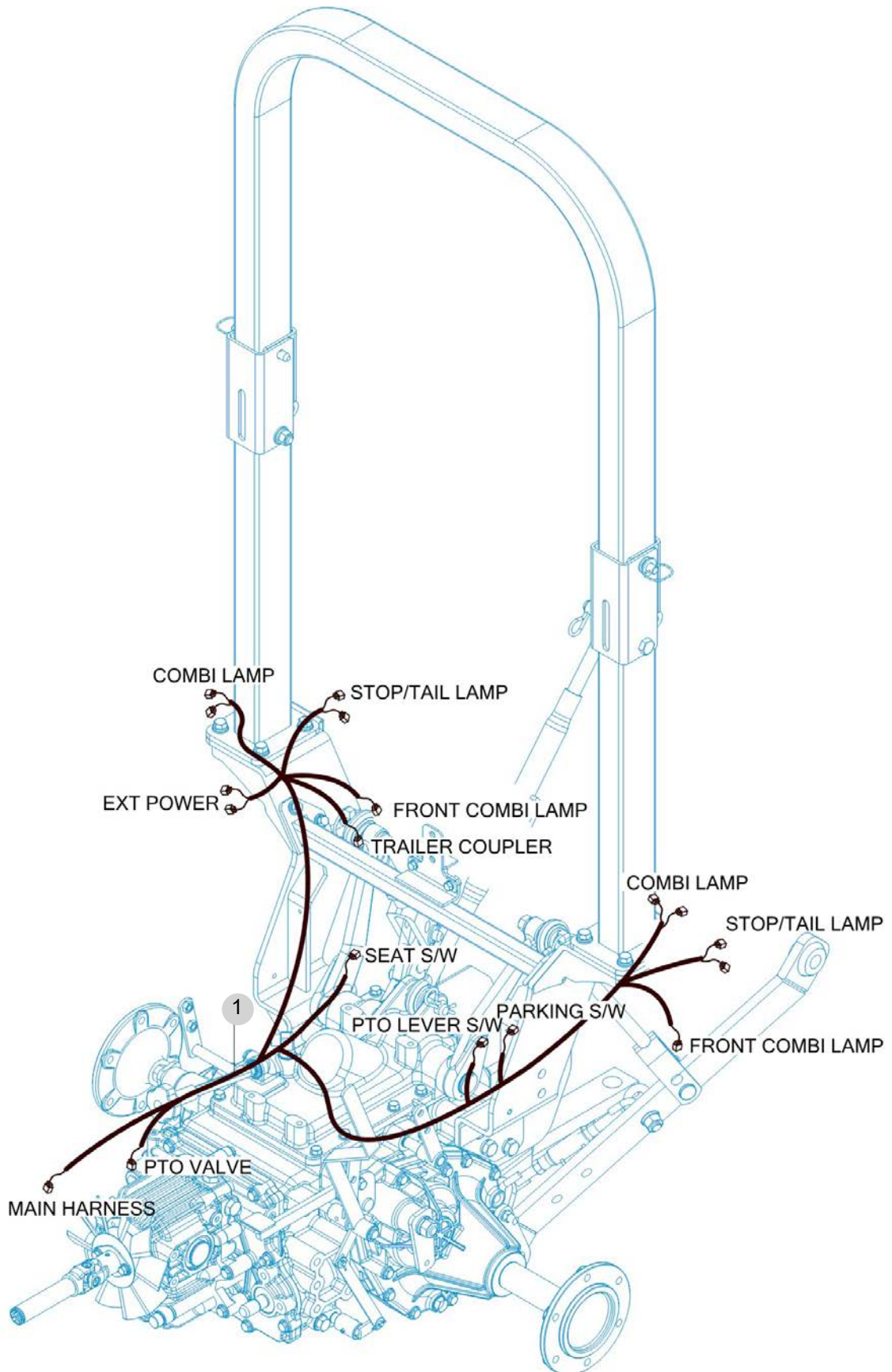
FIG 805

HARNESS (3)

년/월
Year/Month

T255NHEU

2022-12



NOTE

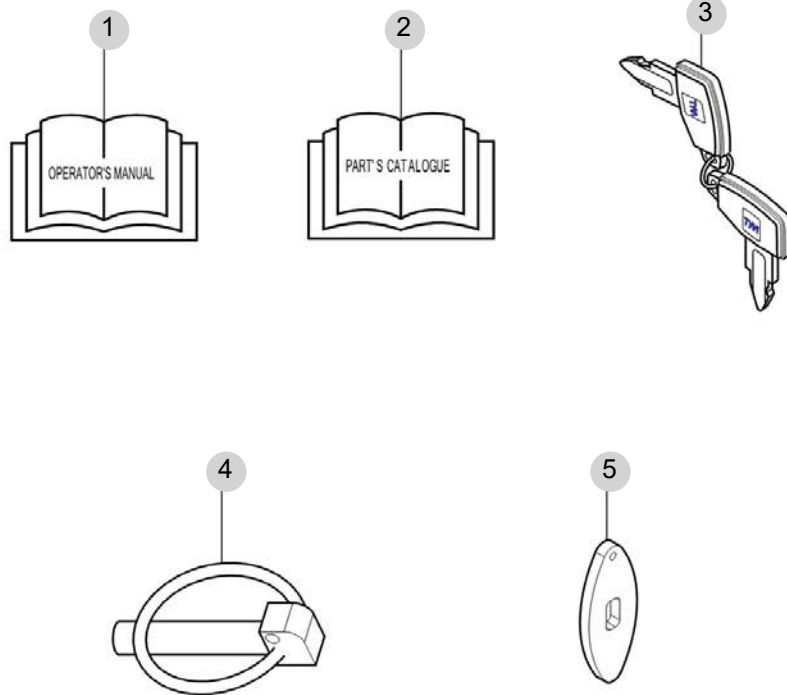
FIG 901

T255NHEU

TOOL & ACCESSORY

년/월
Year/Month

2022-12



NOTE

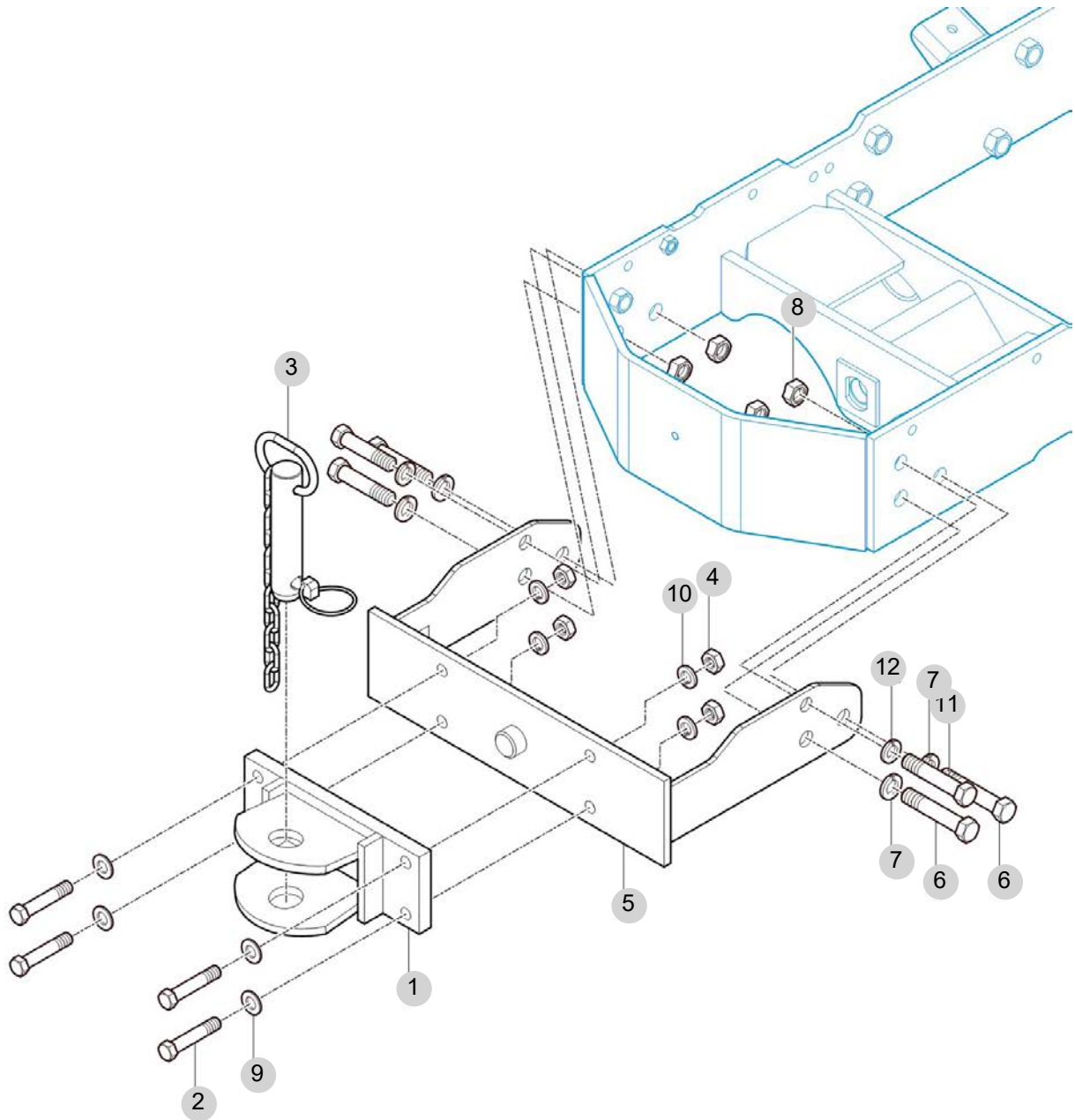
FIG 902

T255NHEU

WEIGHT

년/월
Year/Month

2022-12



NOTE

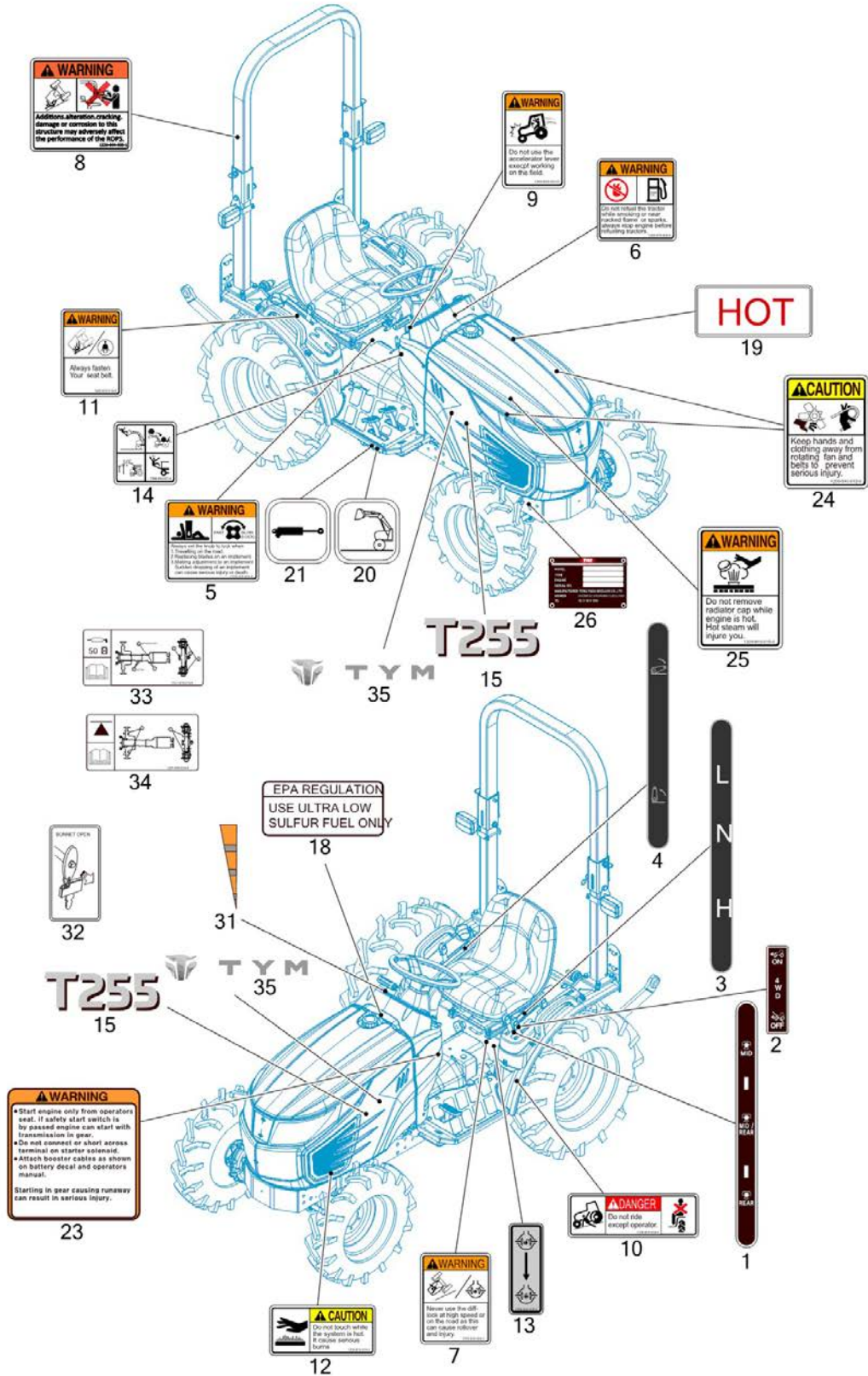
FIG 903

LABEL (1)

년/월
Year/Month

T255NHEU

2022-12



NOTE

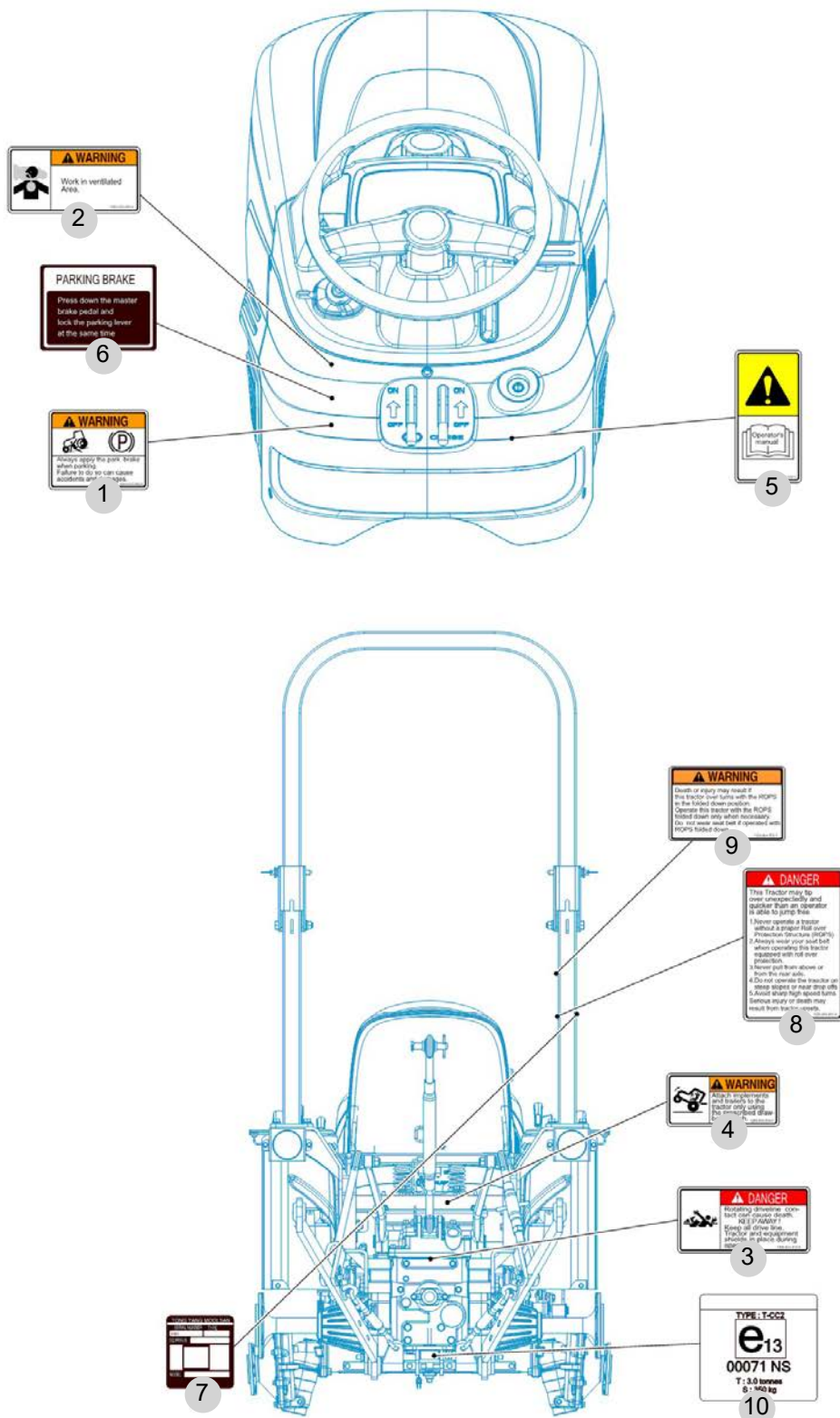
FIG 904

T255NHEU

LABEL (2)

년/월
Year/Month

2022-12



NOTE

